

# Gas/Electric Dual Side Grill

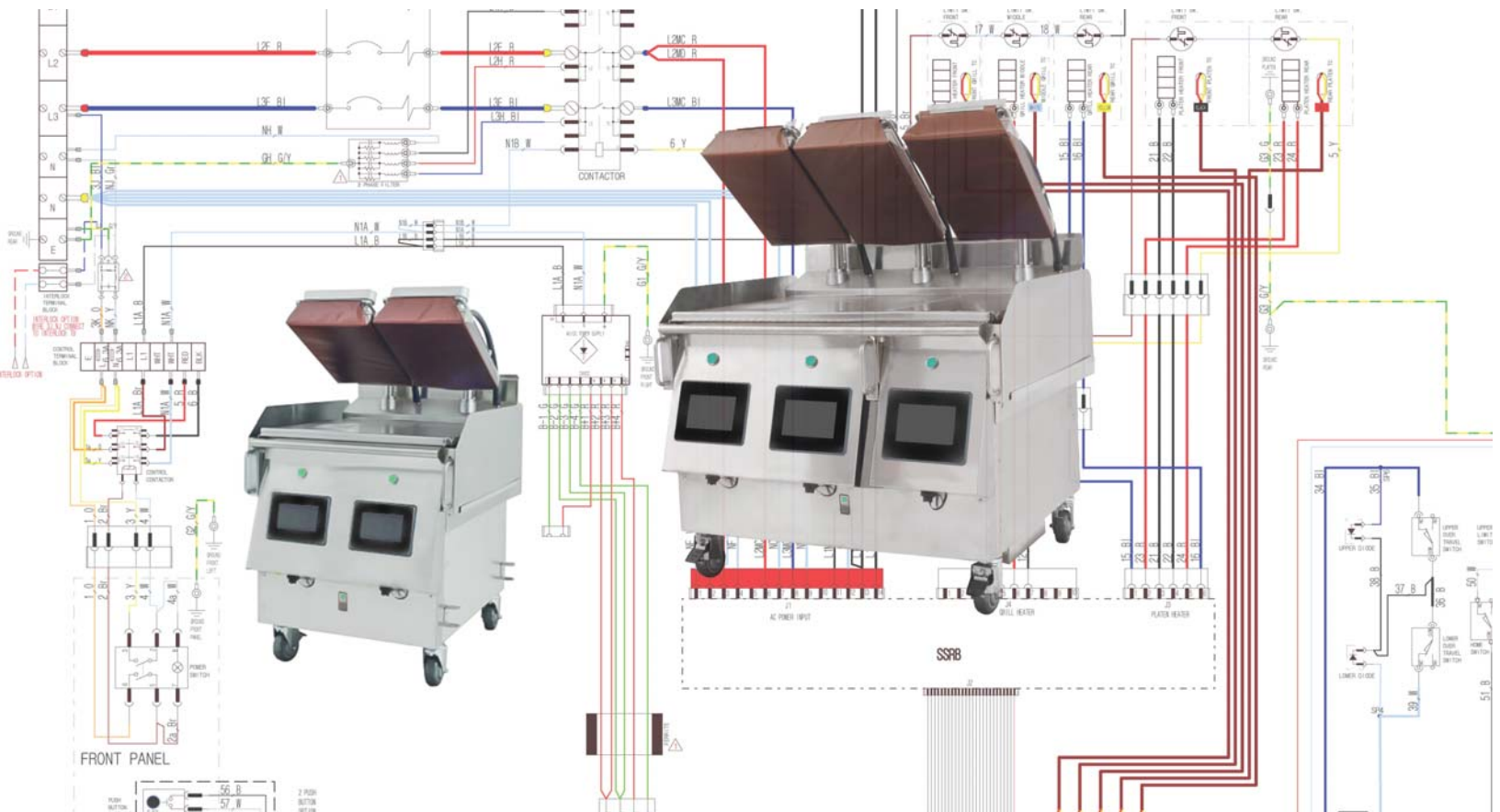
## M(E/G)-1P, M(E/G)-2P, M(E/G)-3PX

### Wiring Diagram Schematics

This manual is updated as new information and models are released. Visit our website for the latest manual.

For your safety:

Post in a prominent location, instructions to be followed in the event the user smell gas. This information shall be obtained by consulting your local gas supplier.



THIS PAGE INTENTIONALLY LEFT BLANK

## Safety Notices

### DEFINITIONS

#### DANGER

Indicates a hazardous situation that, if not avoided, will result in death or serious injury. This applies to the most extreme situations.

#### Warning

Indicates a hazardous situation that, if not avoided, could result in death or serious injury.

#### Caution

Indicates a hazardous situation that, if not avoided, could result in minor or moderate injury.

#### Notice

Indicates information considered important, but not hazard-related (e.g. messages relating to property damage).

NOTE: Indicates useful, extra information about the procedure you are performing.

### DISCLAIMERS

#### Warning

Only trained and authorized service personnel or store manager should access the service screens. If changes to these settings are made incorrectly they will cause the unit to malfunction.

#### Caution

Maintenance and servicing work other than cleaning as described in this manual must be done by an authorized service personnel.

#### DANGER

Do not install or operate equipment that has been misused, abused, neglected, damaged, or altered/modified from that of original manufactured specifications.

#### DANGER

All utility connections and fixtures must be maintained in accordance with local and national codes.

#### DANGER

It is the responsibility of the equipment owner to perform a Personal Protective Equipment Hazard Assessment to ensure adequate protection during maintenance procedures.

#### DANGER

The on-site supervisor is responsible for ensuring that operators are made aware of the inherent dangers of operating this equipment.

NOTE: Proper installation, care and maintenance are essential for maximum performance and trouble-free operation of your equipment. Visit our website <https://clamshell.garland-group.com> for manual updates, translations, or contact information for service agents in your area.

#### Warning

Do Not Store Or Use Gasoline Or Other Flammable Vapors Or Liquids In The Vicinity Of This Or Any Other Appliance. Never use flammable oil soaked cloths or combustible cleaning solutions, for cleaning.

#### Warning

Do not store combustible materials on the appliance.

#### Warning

Warning labels mounted directly on the equipment must be observed at all times and kept in a fully legible condition.

#### Warning

Read this manual thoroughly before operating, installing or performing maintenance on the equipment. Failure to follow instructions in this manual can cause property damage, injury or death.

#### Warning

This appliance is not intended for use by persons (including children) with reduced physical, sensory or mental capabilities, or lack of experience and knowledge, unless they have been given supervision concerning use of the appliance by a person responsible for their safety. Do not allow children to play with this appliance.

#### Notice

Routine adjustments and maintenance procedures outlined in this manual are not covered by the warranty.

**⚠ Warning**

This product contains chemicals known to the State of California to cause cancer and/or birth defects or other reproductive harm. Operation, installation, and servicing of this product could expose you to airborne particles of glass-wool or ceramic fibers, crystalline silica, and/or carbon monoxide. Inhalation of airborne particles of glass-wool or ceramic fibers is known to the State of California to cause cancer. Inhalation of carbon monoxide is known to the State of California to cause birth defects or other reproductive harm.

**LOCATION**

**⚠ Warning**

Two or more people or a lifting device are required to lift this appliance.

**⚠ Warning**

To avoid instability the installation area must be capable of supporting the combined weight of the equipment and product. Additionally the equipment must be level side to side and front to back.

**⚠ Warning**

No structural material on the appliance should be altered or removed to accommodate placement of the appliance under a hood.

**⚠ Warning**

Be aware of the red mark in the threaded stem caster to indicated the maximum adjustment. Adjusting above the red mark could cause the caster to fail & the unit to tip. For more information see installation section 2.

**⚠ Warning**

The appliance must be isolated from the gas supply piping system by closing its individual manual shutoff valve during any pressure testing of the gas supply piping system at test pressures equal to or less than ½ psi (3.5 kPa).

**⚠ Caution**

This equipment must only be operated under an approved hood system in accordance with local regulations in force. This unit is intended for indoor use only.

**ELECTRICAL**

**⚠ DANGER**

Check all wiring connections, including factory terminals, before operation. Connections can become loose during shipment and installation.

**⚠ DANGER**

Do not operate any appliance with a damaged/pinched cord or plug. All repairs must be performed by a qualified service company.

**⚠ DANGER**

Failure to disconnect the power at the main power supply could result in serious injury or death. The power switch DOES NOT disconnect all incoming power.

**⚠ DANGER**

Copper wire suitable for at least 75°C (167°F) must be used for power connections.

**⚠ Warning**

This appliance must be grounded and all field wiring must conform to all applicable local and national codes. Refer to rating plate for proper voltage. It is the responsibility of the end user to provide the disconnect means to satisfy the authority having jurisdiction.

**⚠ Warning**

Do not use electrical appliances or accessories other than those supplied by the manufacturer.

**⚠ Warning**

This equipment must be positioned so that the plug is accessible unless other means for disconnection from the power supply (e.g., circuit breaker or disconnect switch) is provided.

**⚠ Warning**

Disconnect electric power at the main power disconnect for all equipment being serviced. Observe correct polarity of incoming line voltage. Incorrect polarity can lead to erratic operation.

**⚠ Warning**

Never touch anything that runs on electricity when your hands are wet.

## CODE

### **Warning**

Authorized Service Representatives are obligated to follow industry standard safety procedures, including, but not limited to, local/national regulations for disconnection / lock out / tag out procedures for all utilities including electric, gas, water and steam.

### **Warning**

For an appliance equipped with casters, (1) the installation shall be made with a connector that complies with the Standard for *Connectors for Movable Gas Appliances ANSI Z21.69 • CSA 6.16*, and a quick-disconnect device that complies with the Standard for *Quick-Disconnect Devices for Use With Gas Fuel, ANSI Z21.41 • CSA 6.9*, (2) adequate means must be provided to limit the movement of the appliance without depending on the connector and the quick-disconnect device or its associated piping to limit the appliance movement and (3) the location(s) where the restraining means may be attached to the appliance shall be specified.

## DAMAGE

### **DANGER**

Improper installation, adjustment, alteration, service, or maintenance of this appliance or installation of a damaged appliance can result in DEATH, INJURY, EQUIPMENT DAMAGE, and void the warranty. NEVER install damaged appliances, equipment, or accessories.

ALWAYS have installation and service performed by trained and authorized personnel.

### **Caution**

Pouring water or ice on a hot heating elements/heated surfaces will cause damage..

### **Warning**

Pinch Hazard. Keep hands and tools clear from the area above the platens when platens are in motion towards the exhaust hood. Be aware that adjacent platens may unexpectedly move at any time. "Turn Grill Off" at main switch when cleaning platens as there can be an unexpected movement of the platens

## CLEARANCE

### **Caution**

Do not block the supply and return air vents or the air space around the air vents. Keep plastic wrappings, paper, labels, etc. from being airborne and lodging in the vents. Failure to keep the air vents clear will result in unsatisfactory operation of the system.

### **Caution**

Do not position the air intake vent near steam or heat exhaust of another appliance.

### **Warning**

Slipping Hazard: Grease from food products will splatter. The areas surrounding the grill are a slipping hazard due to the splatter zone. Clean the area surrounding the grill regularly. The grill may be slippery. Ensure floor area is clean. Care needs to be taken as equipment may be hot.

### **Warning**

Failure to maintain required clearances and additional distances as needed can result in INJURY and EQUIPMENT DAMAGE.

Consult manufacturers' literature, and sales and service agencies as needed.

### **DANGER**

To reduce the risk of fire, the equipment is to be installed in non-combustible surroundings only, with no combustible material within 18" (457 mm) of the sides, front or rear of the appliance or within 40 " (1 m) above the appliance. The appliance is to be mounted on floors of noncombustible construction with noncombustible flooring and surface finish and with no combustible material against the underside or on noncombustible slabs or arches and have no combustible material against the underside. Such construction shall in all cases extend not less than 12" (305 mm) beyond the equipment on all sides.

### **DANGER**

Risk of fire/shock. All minimum clearances must be maintained. Do not obstruct vents or openings.

### **Warning**

Pinch Hazard. Ensure a minimum of 1" clearance between the hood and the uppermost position of the platen arm. To reduce the risk of crushing injuries between platen & hood.

## CLEANING

### Caution

Ensure platens are down, in closed position, when moving grill. Follow the procedure to avoid potential damage, loss of calibration on the platen, and error messages.

### Caution

Never use an acid based cleaning solution on exterior panels! Many food products have an acidic content, which can deteriorate the finish. Be sure to clean the stainless steel surfaces of ALL food products.

### Caution

Do not use caustic cleaners on any part of the equipment or equipment cavity . Use mild, non abrasive soaps or detergents, applied with a sponge or soft cloth. Never use sharp implements or harsh abrasives on any part of the equipment.

### Warning

When cleaning interior and exterior of unit, care should be taken to avoid front power switch and the power cord(s). Keep water and/or cleaning solutions away from these parts.

### Warning

Turn grill off and unplug the unit before cleaning the side/back panels. Do not remove any panel during cleaning.

### Warning

Interior cleaning must be performed by a qualified service technician only.

### Warning

Never use a high-pressure water jet for cleaning or hose down or flood interior or exterior of units with water. Do not use power cleaning equipment, steel wool, scrapers or wire brushes on stainless steel or painted surfaces.

### Caution

Use a commercial-grade cleaner formulated to effectively clean and sanitize food contact surfaces. Read the directions for use and precautionary statements before use. Particular attention must be paid to the concentration of cleaner and the length of time the cleaner remains on the food-contact surfaces.

### Warning

Be aware that adjacent platens may unexpectedly move at any time. "Turn Grill Off" at main switch when cleaning platens as there can be an unexpected movement of the platens.

## PERSONAL PROTECTION

### DANGER

All utilities (gas, electric, water and steam) must be OFF to all equipment and locked out of operation according to OSHA approved practices during servicing. Always allow unit to cool.

### DANGER

Use appropriate safety equipment during installation and servicing.

### DANGER

Never stand on the unit! They are not designed to hold the weight of an adult, and may collapse or tip if misused in this manner.

### DANGER

Keep power cord AWAY from HEATED surfaces. DO NOT immerse power cord or plug in water. DO NOT let power cord hang over edge of table or counter.

### Warning

DO NOT use the unit for storage. DO NOT leave paper products, cooking utensils, or food in the unit when not in use.

### Warning

Allow heated equipment to cool down before attempting to clean, service or move. Unit must be cool to touch and disconnected from power source.

### Warning

Always wear some type of protective covering on your hands and arms when opening the unit.

### Warning

Steam can cause serious burns. Always wear some type of protective covering on your hands and arms when opening the unit. When platen is Lifting, move away face and body from the escaping steam.

### Warning

Remove all removable panels before lifting and installing.

**⚠ Warning**

Do not contact moving parts.

**⚠ Warning**

When using cleaning fluids or chemicals, rubber gloves and eye protection (and/or face shield) must be worn.

**⚠ Warning**

Use caution when handling all metal surface edges of the equipment.

**⚠ Warning**

This equipment is intended for indoor use only. Do not install or operate this equipment in outdoor areas.

**⚠ Warning**

All covers and access panels must be in place and properly secured, before operating this equipment.

**⚠ Warning**

Do not spray aerosols in the vicinity of this appliance while it is in operation.

**⚠ Warning**

Risk of burns from high temperatures. You may get burnt if you touch any of the parts during cooking. Surfaces close to the cooking surface including side panels may get hot enough to burn skin. Use extreme caution to avoid coming in contact with hot surfaces or hot grease. Wear personal protective equipment.

**⚠ Warning**

When checking for burner ignition or performance, do not get too close to the burners. Slow ignition can cause possible flashback, increasing the potential for facial and body burns.

**⚠ Warning**

This appliance must be installed with sufficient ventilation to prevent the occurrence of unacceptable concentrations of substances harmful to the health of personnel in the room in which it is installed.

**⚠ Warning**

Hazard. Keep hands and tools clear from the area above the platens when platens are in motion towards the exhaust hood. Be aware that adjacent platens may unexpectedly move at any time. "Turn Grill Off" at main switch when cleaning platens as there can be an unexpected movement of the platens.

**⚠ Warning**

Slipping Hazard: Grease cans must be properly installed before use. Improper installation will result in grease on the floor which will create a slipping hazard. Ensure grease cans are emptied and cleaned as needed to prevent grease from overflowing onto the floor. The grill may be slippery. Ensure floor area is clean. Care needs to be taken as equipment may be hot

**⚠ Warning**

Pinch Hazard. Keep hands and tools clear of area between platen and grill plate when platens are in motion. Be aware that adjacent platens may unexpectedly move at any time. "Turn Grill Off" at main switch when cleaning platens as there can be an unexpected movement of the platens.

**⚠ Warning**

Post in a prominent location, instructions to be followed in the event the user smell gas. This information shall be obtained by consulting your local gas supplier.

# Table of Contents

## Safety Notices

Definitions.....	3
Disclaimers.....	3
Location.....	4
Electrical.....	4
Damage.....	5
Clearance.....	5

## Wiring Diagrams Schematics

<b>Wiring Diagram - WYE Models.....</b>	<b>9</b>
1 Platen Electric - ME12 WYE (4532844).....	10
2 Platen Electric - ME24 WYE (4532845).....	12
2 Platen Electric - ME24 WYE (4532857).....	16
3 Platen Electric - ME36 WYE (4532846).....	20
3 Platen Electric - ME36 WYE (4532859).....	32
1 Platen Gas - MG12 WYE (4532847).....	38
2 Platen Gas - MG24 WYE (4532848).....	40
3 Platen Gas - MG36 WYE (4532849).....	44
<b>Wiring Diagram - DELTA Models.....</b>	<b>50</b>
1 Platen Electric - ME12 DELTA (4532850).....	52
2 Platen Electric - ME24 DELTA (4532851).....	54
2 Platen Electric - ME24 DELTA (4532860).....	58
3 Platen electric - ME36 DELTA (4532852).....	62
1 Platen Gas - MG12 DELTA (4532853).....	68
2 Platen Gas - MG24 DELTA (4532854).....	70
3 Platen Gas - MG36 DELTA (4532855).....	74
3 Platen Gas - MG36 DELTA (4602716).....	80



# Wiring Diagrams Schematics

---

## Wiring Diagram - WYE Models

Electrical Schematic Diagrams - All WYE Models

Electrical schematic diagrams are combined by zones, right, left and middle zones. For 1 platen total of one sheet, 2 platen total of two sheets, 3 platen total of three sheets.

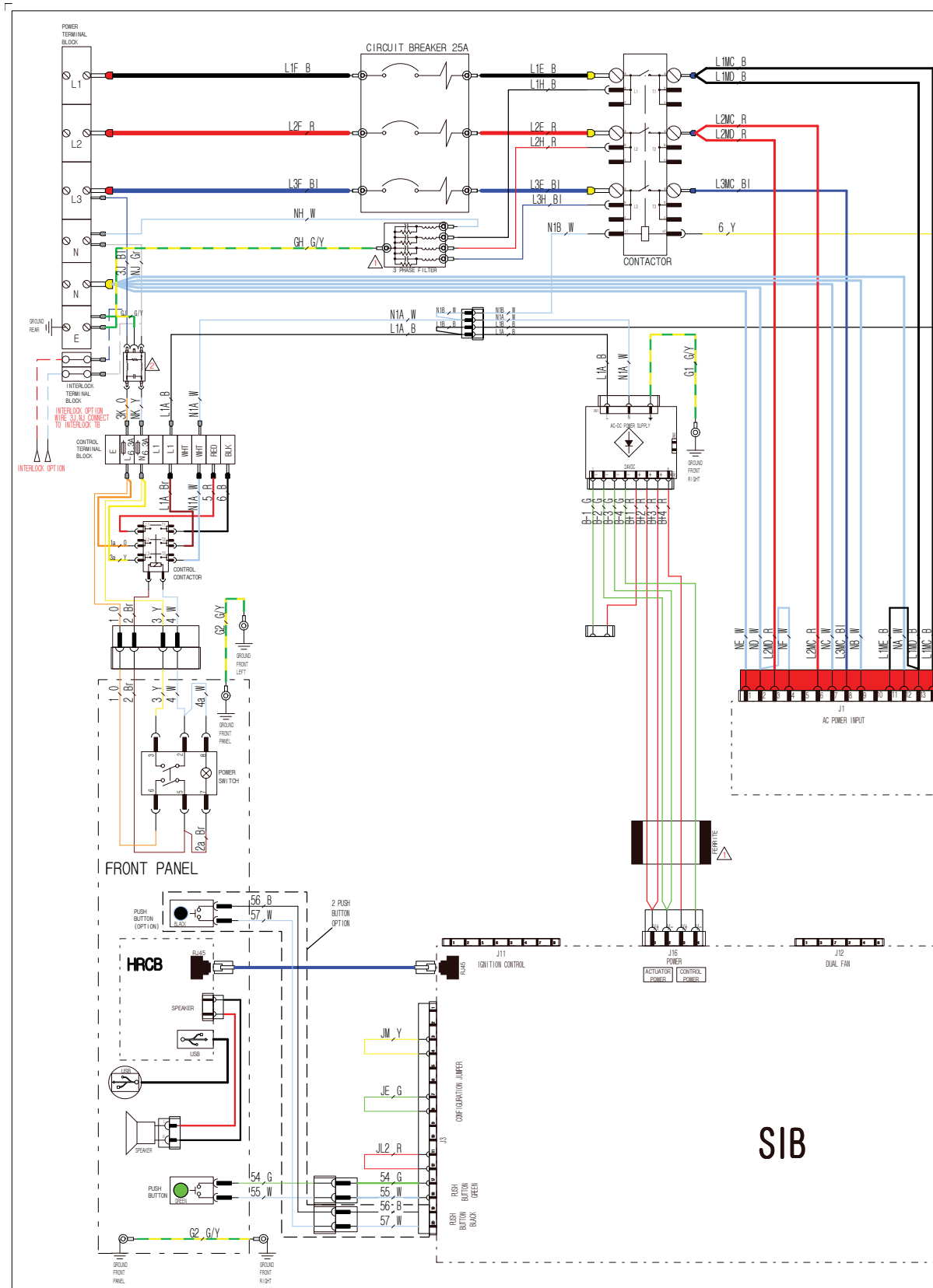
McDonald's Electric Models (WYE connection)

	Part#	Power Cable	Description
1 PLATEN	4532844	1	1 Platen - ME12 WYE
2 PLATEN	4532845	1	2 Platen - ME24 WYE
	4532857	2	
3 PLATEN	4532846	1	3 Platen - ME36 WYE
	4532858	2	
	4532859	3	

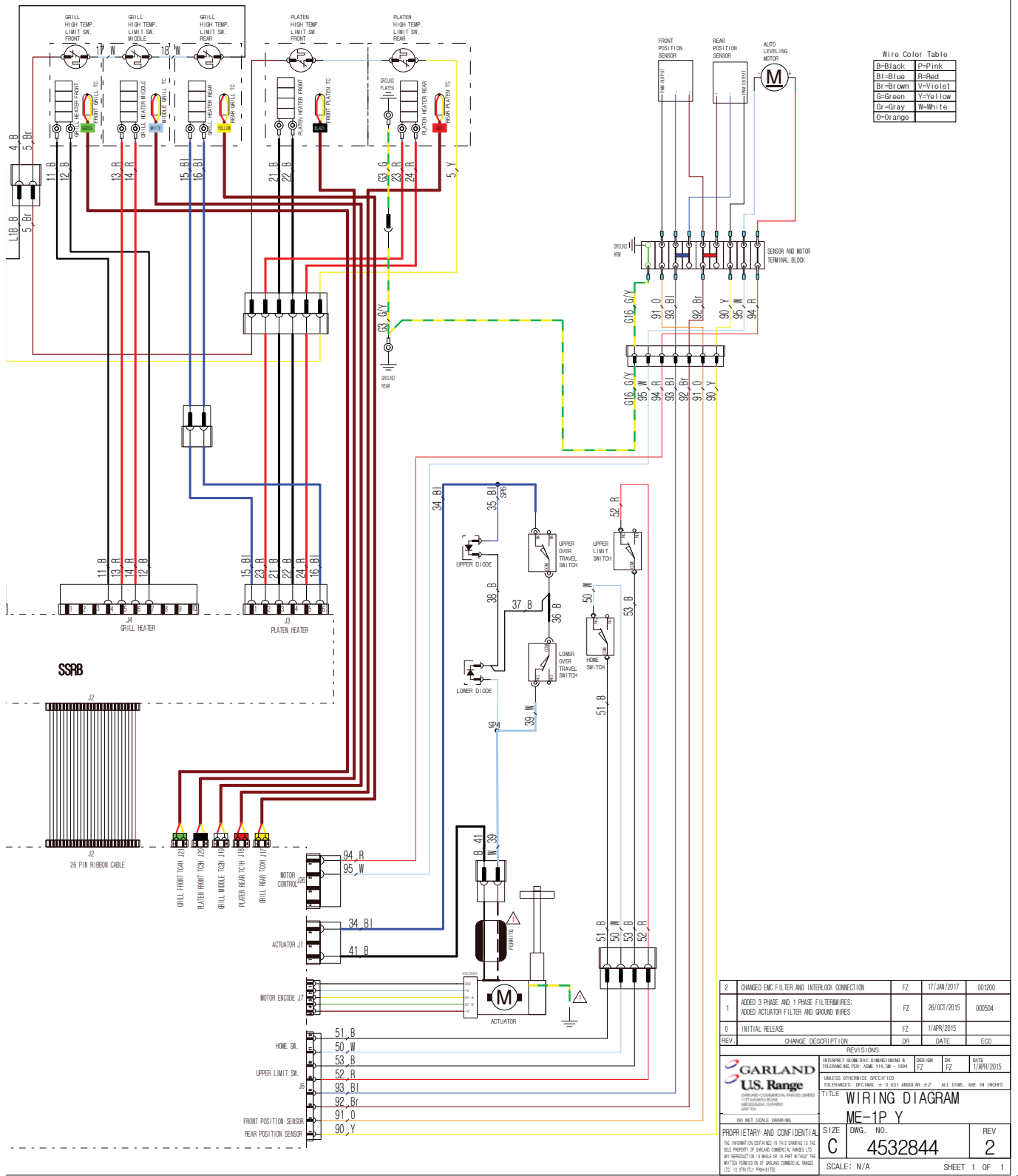
McDonald's Gas Models (WYE connection)

	Part#	Power Cable	Description
1 PLATEN	4532847	1	1 Platen - MG12 WYE
2 PLATEN	4532848	1	2 Platen - MG24 WYE
3 PLATEN	4532849	1	3 Platen - MG36 WYE

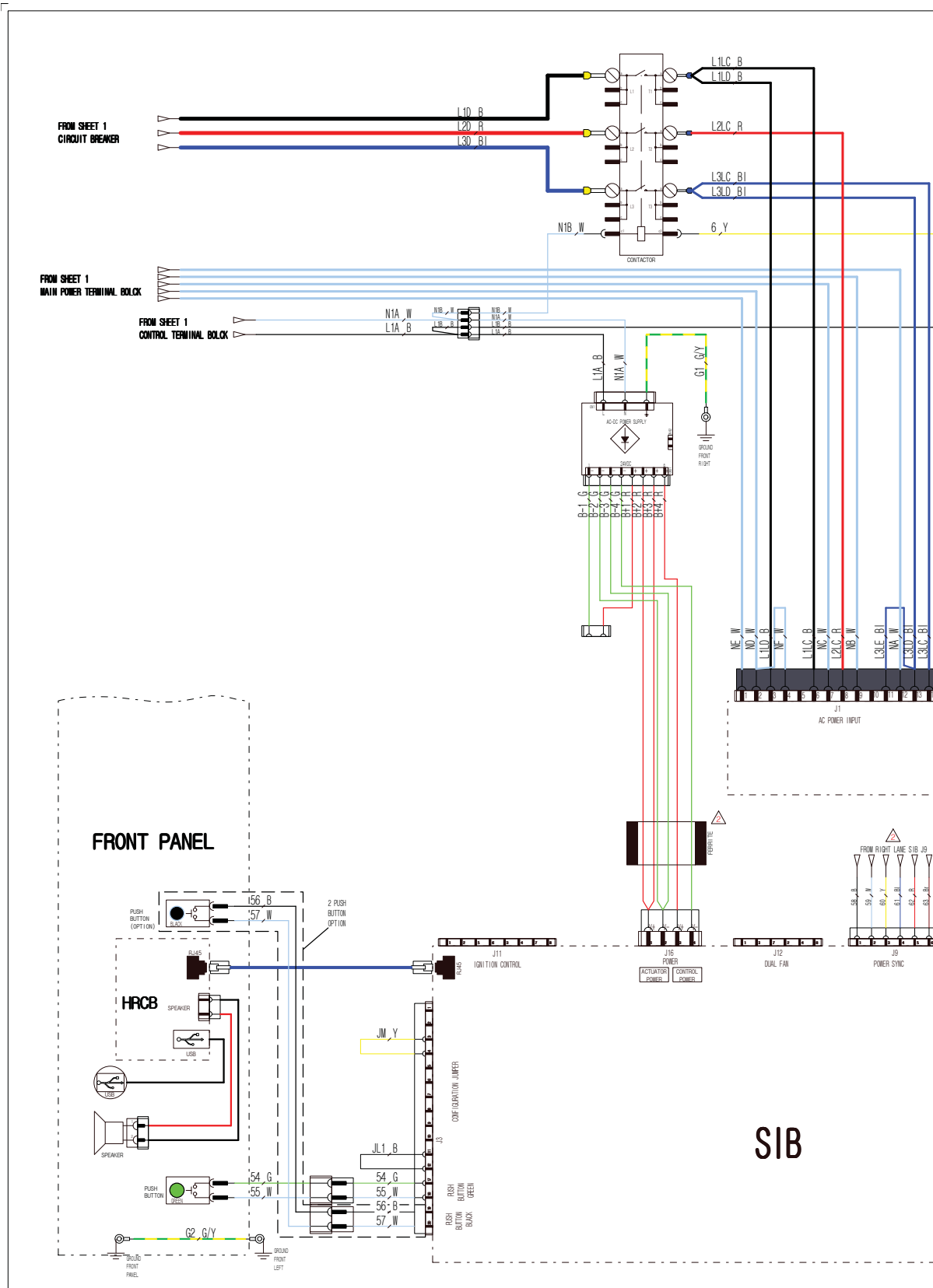
1 PLATEN ELECTRIC - ME12 WYE (4532844)



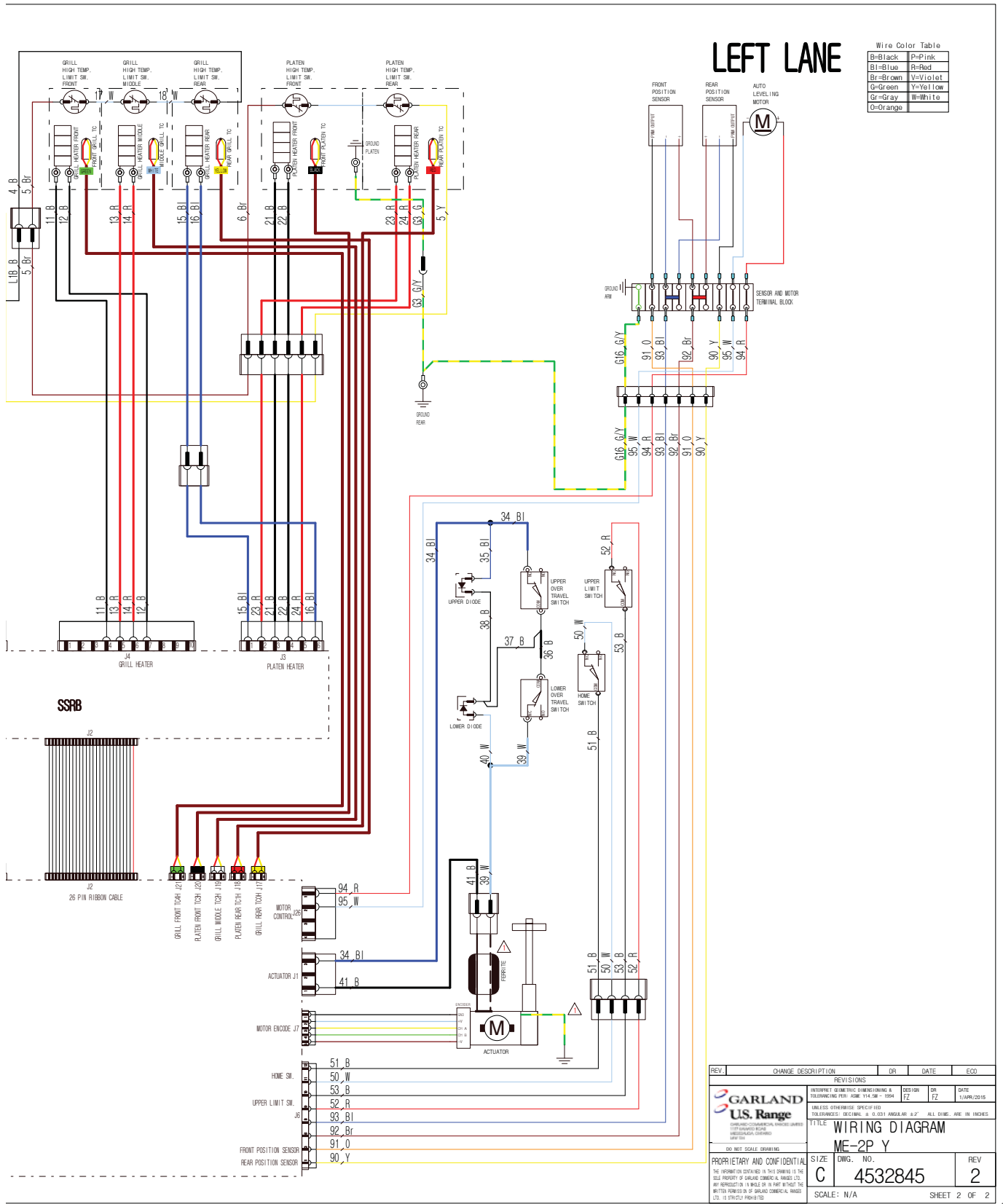
1 PLATEN ELECTRIC - ME12 WYE (4532844) - CONTINUATION



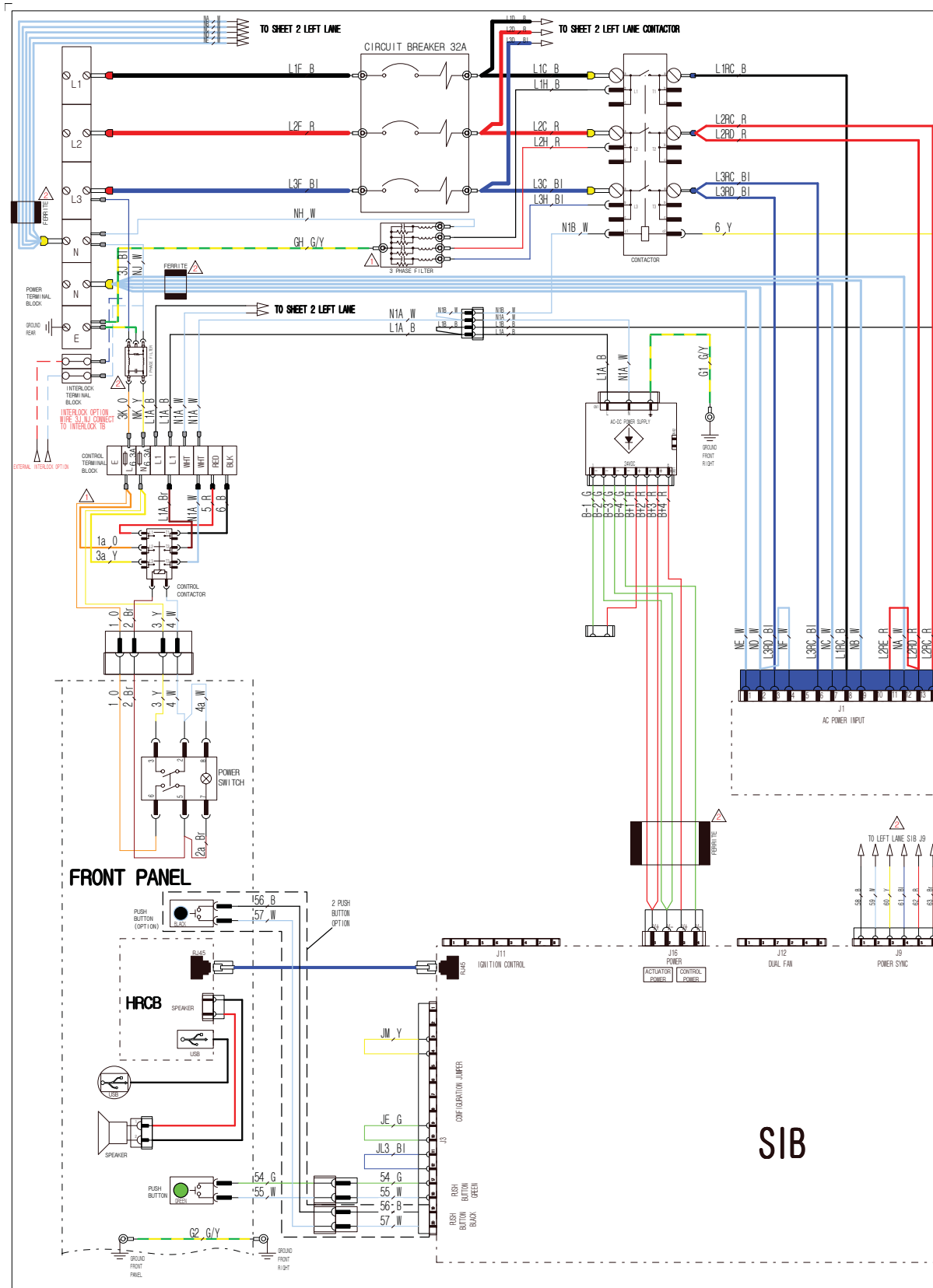
2 PLATEN ELECTRIC - ME24 WYE (4532845)



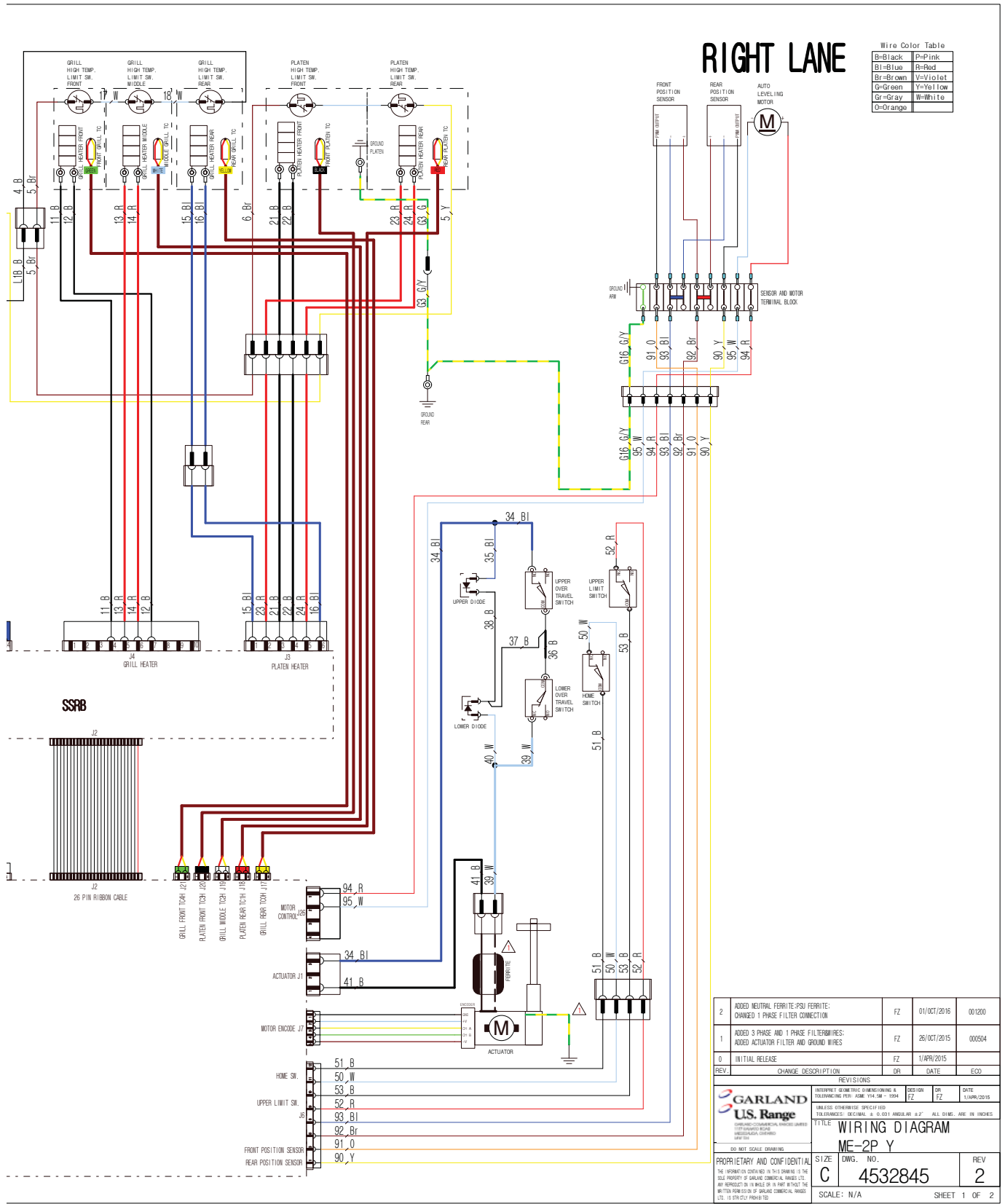
2 PLATEN ELECTRIC - ME24 WYE (4532845) - CONTINUATION



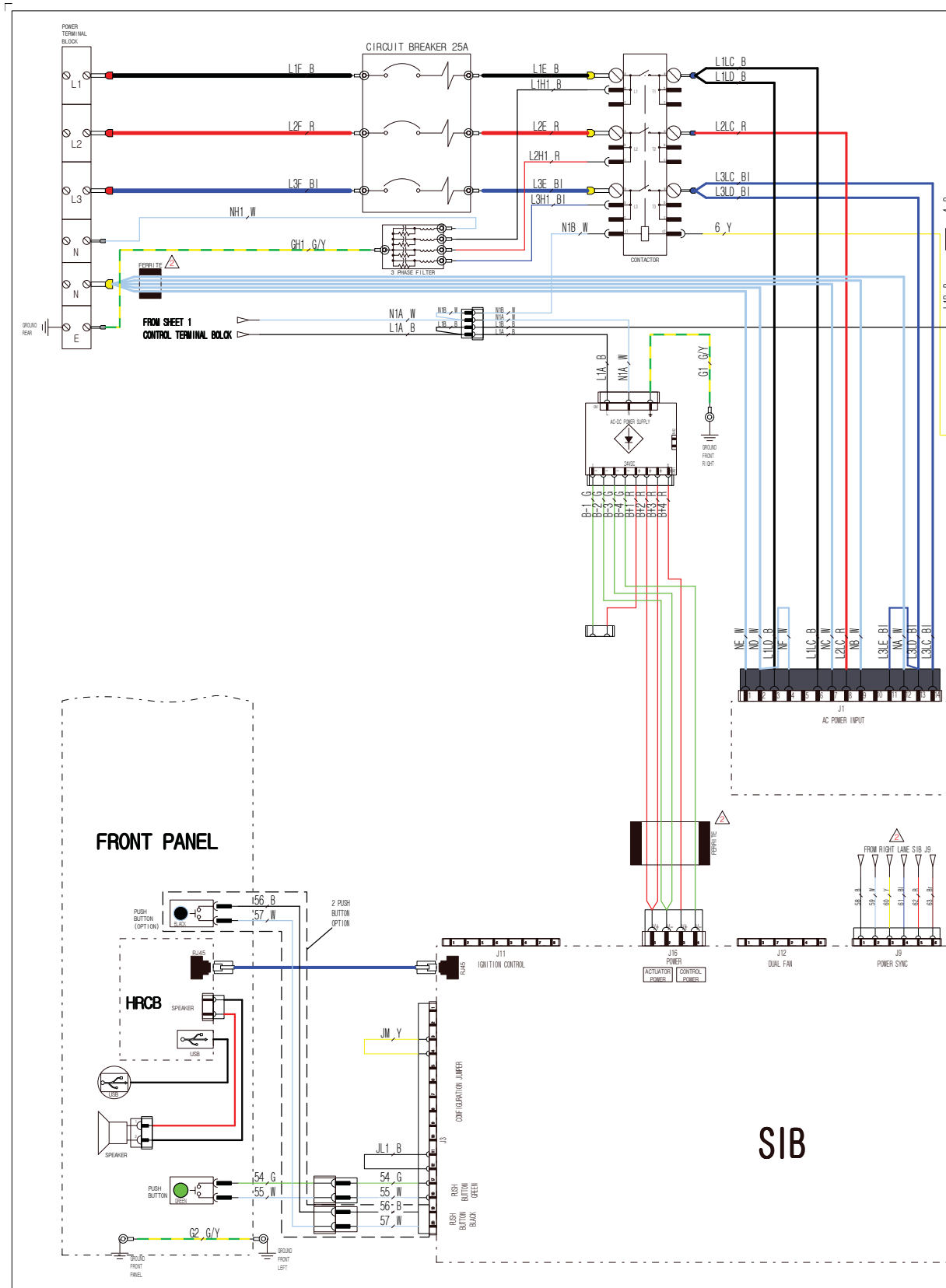
2 PLATEN ELECTRIC - ME24 WYE (4532845) - CONTINUATION



2 PLATEN ELECTRIC - ME24 WYE (4532845) - CONTINUATION

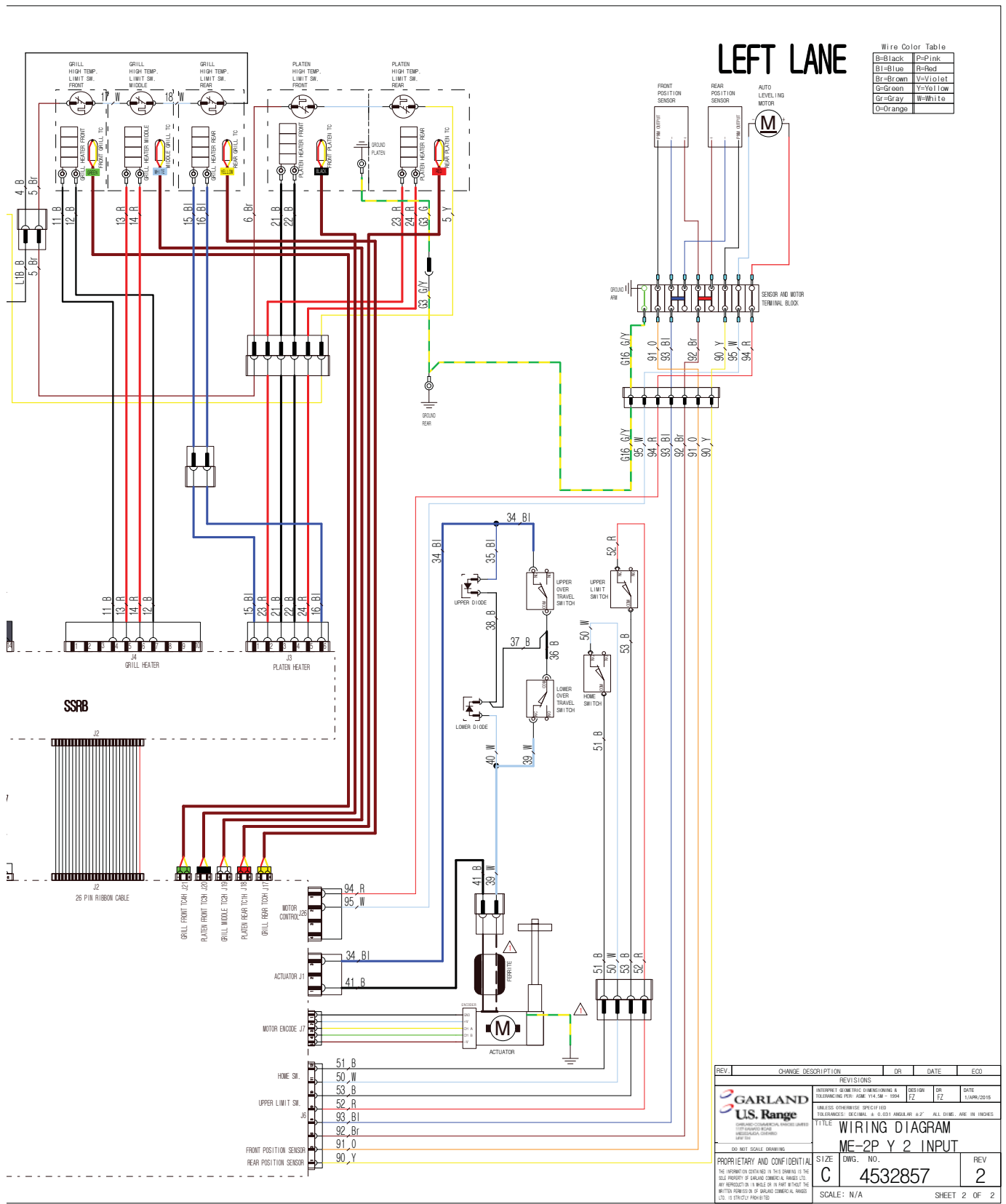


2 PLATEN ELECTRIC - ME24 WYE (4532857)

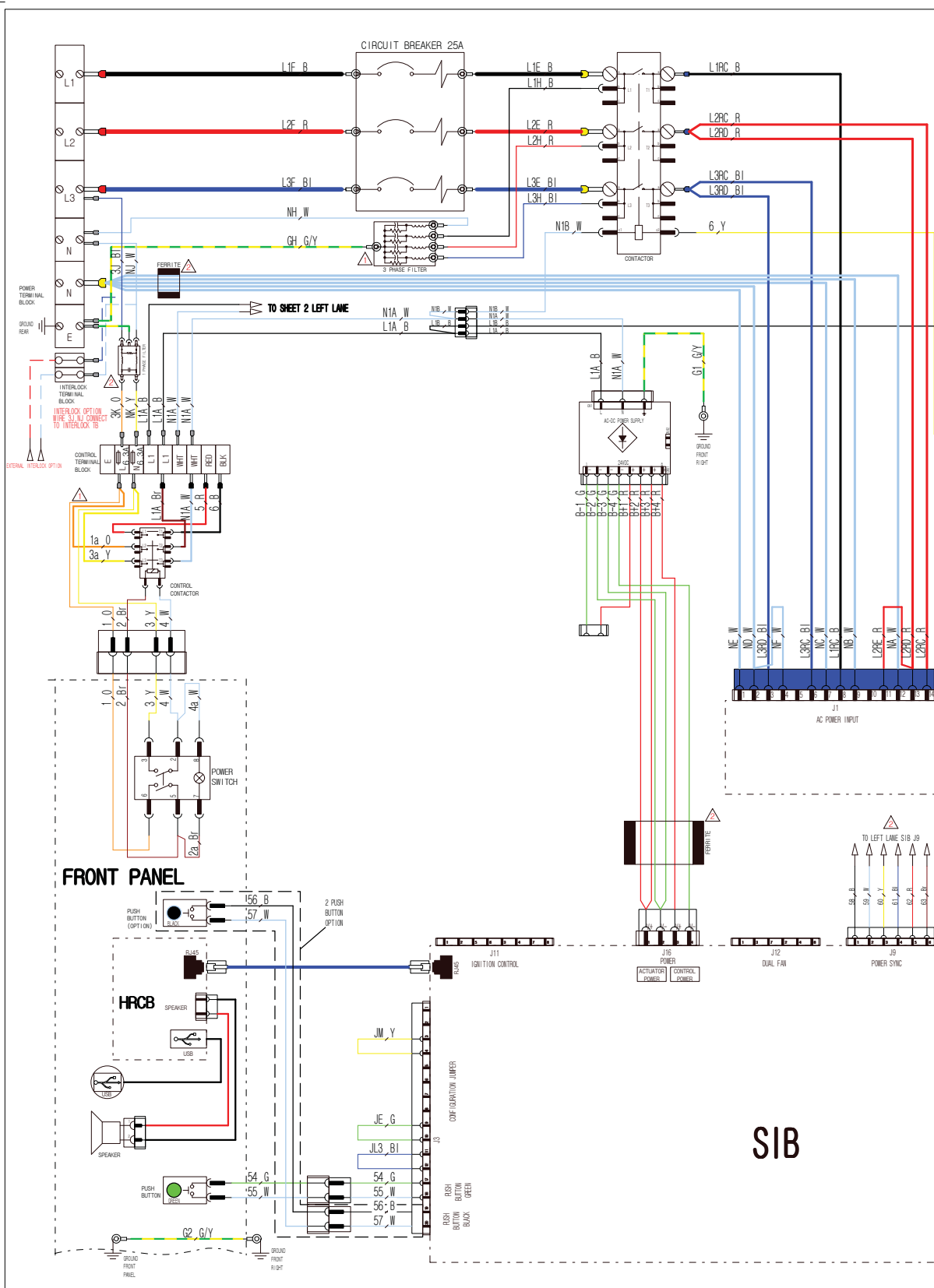




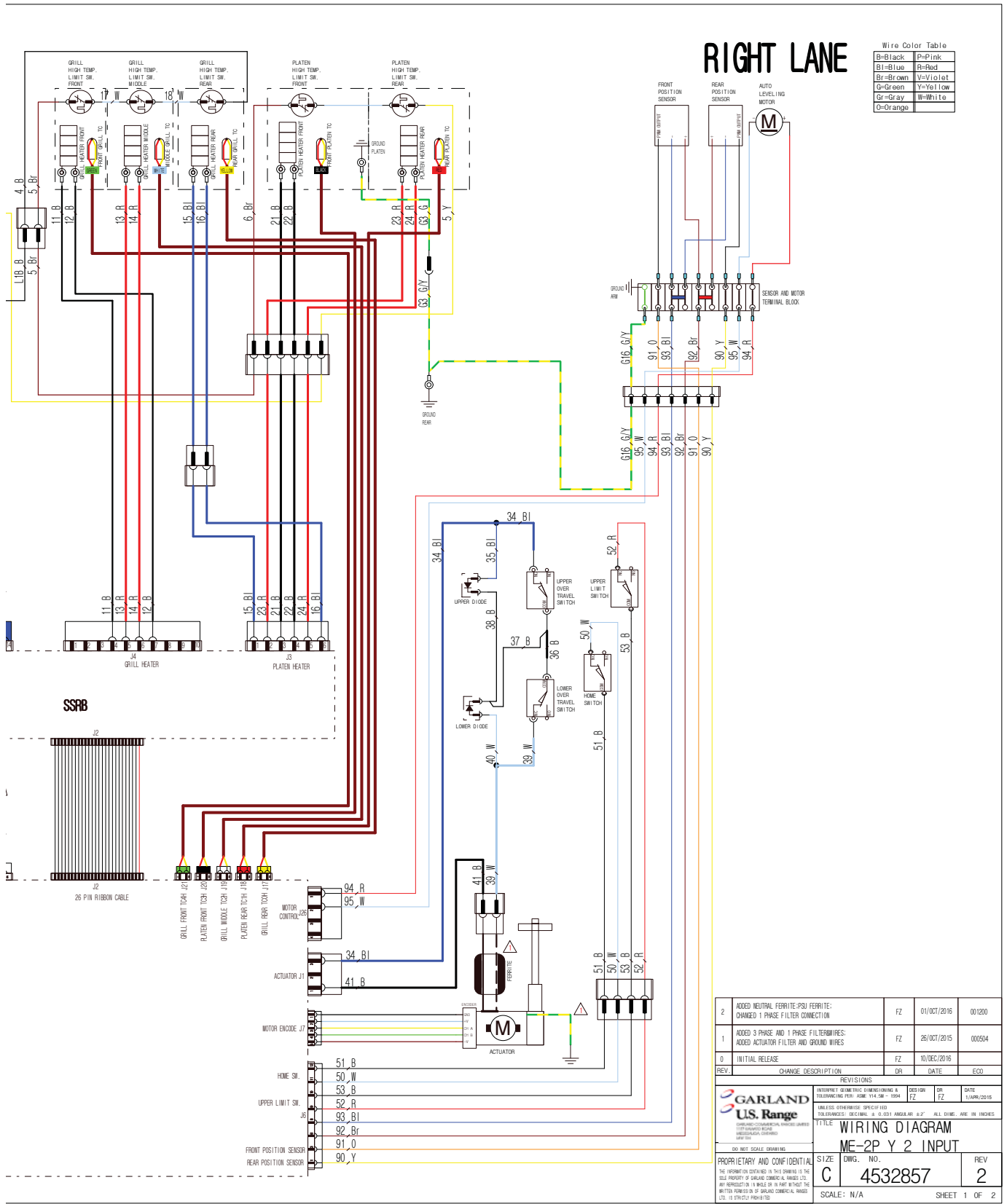
2 PLATEN ELECTRIC - ME24 WYE (4532857) - CONTINUATION



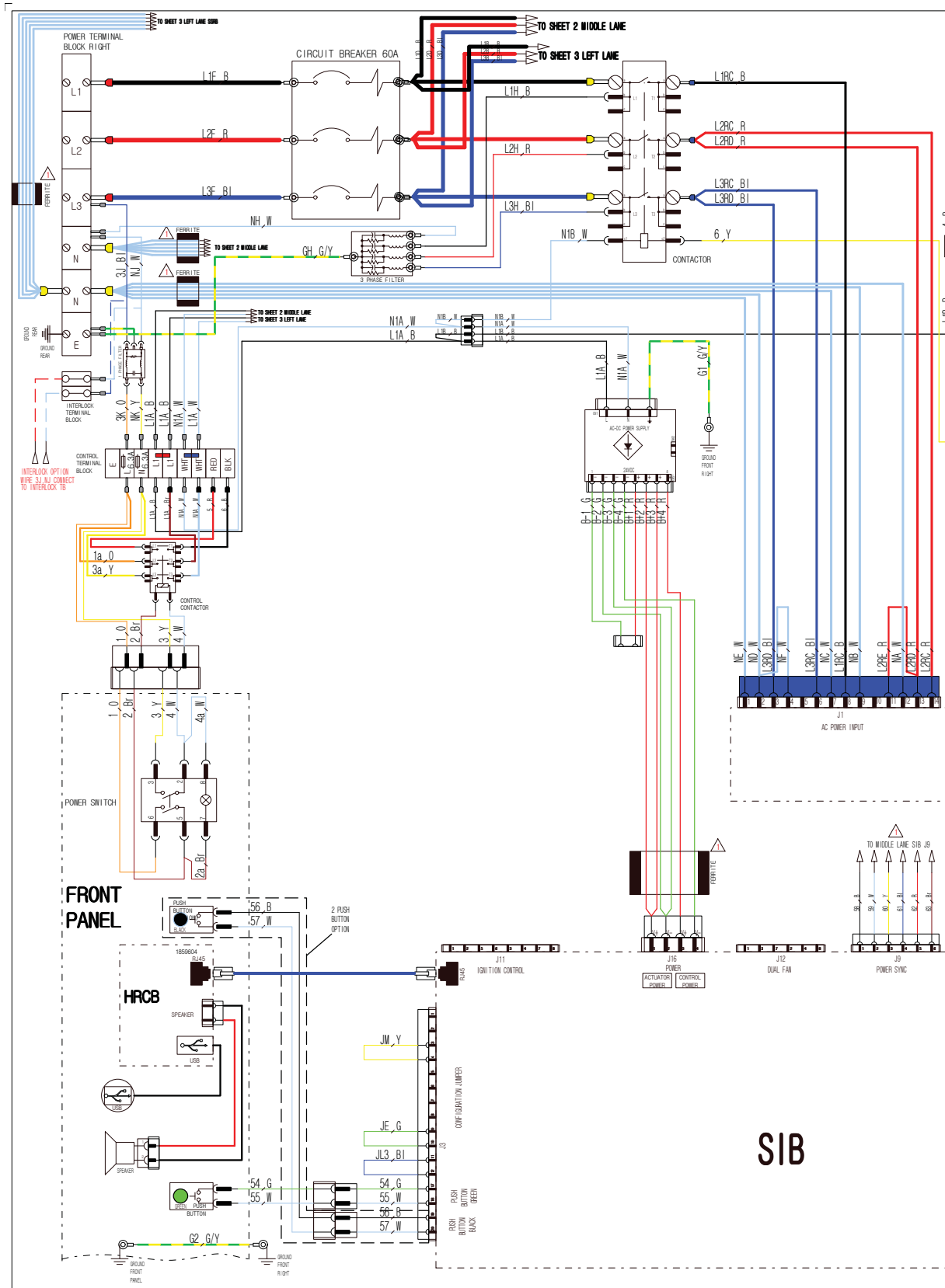
2 PLATEN ELECTRIC - ME24 WYE (4532857) - CONTINUATION



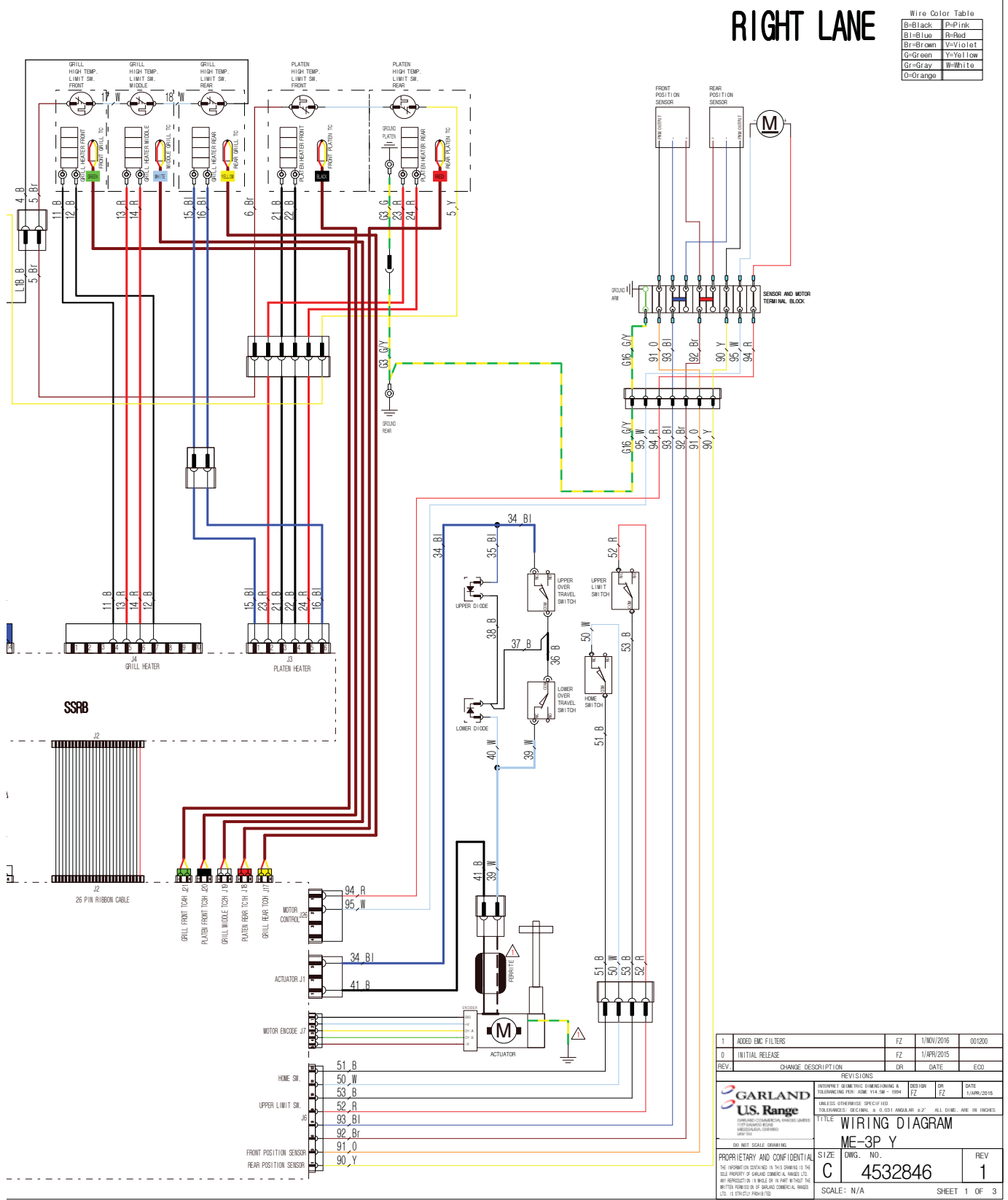
2 PLATEN ELECTRIC - ME24 WYE (4532857) - CONTINUATION



3 PLATEN ELECTRIC - ME36 WYE (4532846)

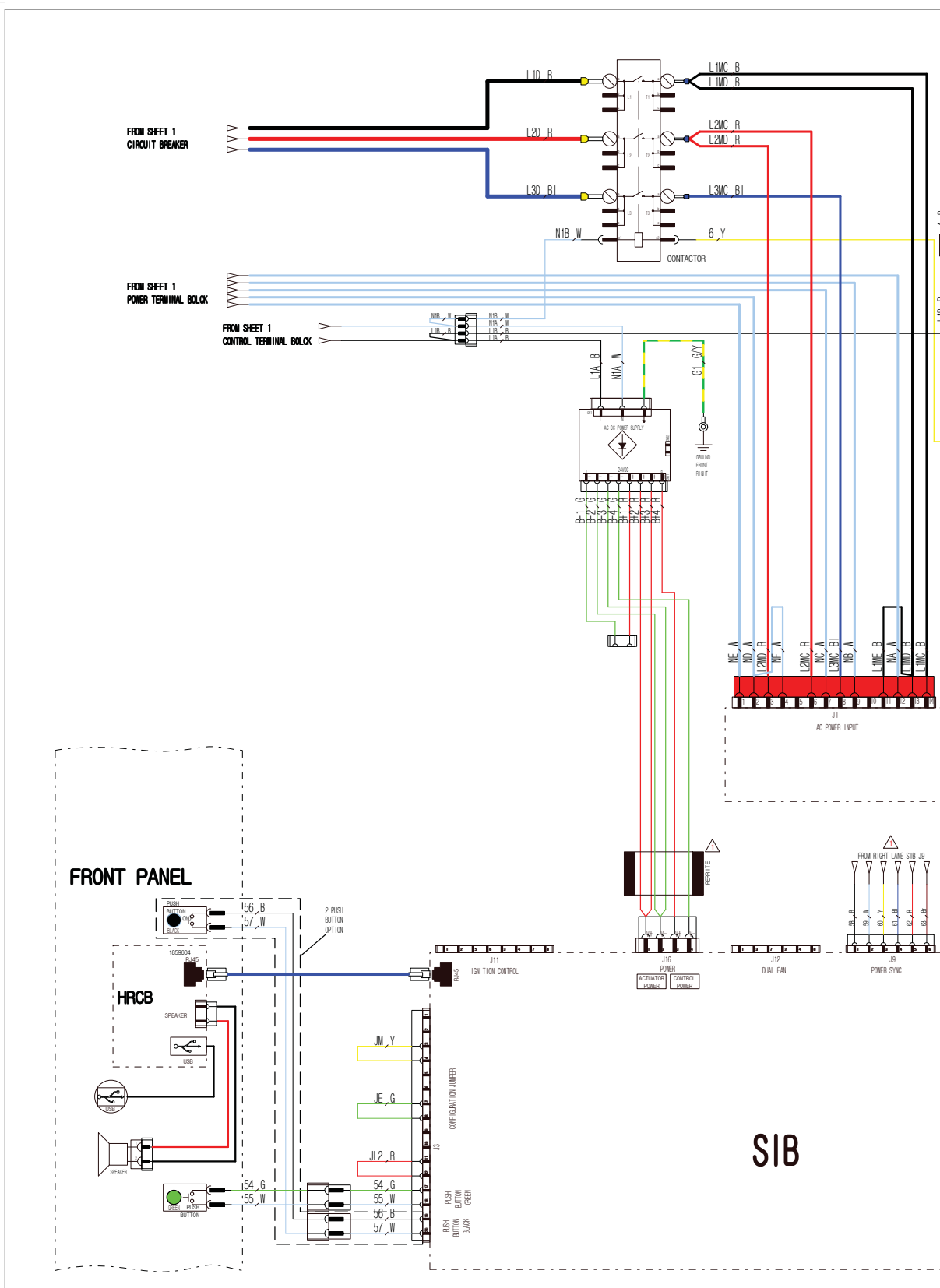


3 PLATEN ELECTRIC - ME36 WYE (4532846) - CONTINUATION



1	ADDED EMC FILTERS	FZ	1/NOV/2016	001200
0	INITIAL RELEASE	FZ	1/APR/2015	
REV	CHANGE DESCRIPTION	DR	DATE	ECO
REVISIONS				
		DESIGN	DR	DATE
<small>UNLESS OTHERWISE SPECIFIED TOLERANCES: DECIMALS - ± 0.003 ANGULAR ± 2° ALL DIMS. ARE IN INCHES</small>		FZ	FZ	1/APR/2015
<b>TITLE</b> WIRING DIAGRAM <b>ME-3P Y</b>				
<small>PROPRIETARY AND CONFIDENTIAL</small>				
SIZE	DRG. NO.	REV		
C	4532846	1		
SCALE: N/A			SHEET 1 OF 3	

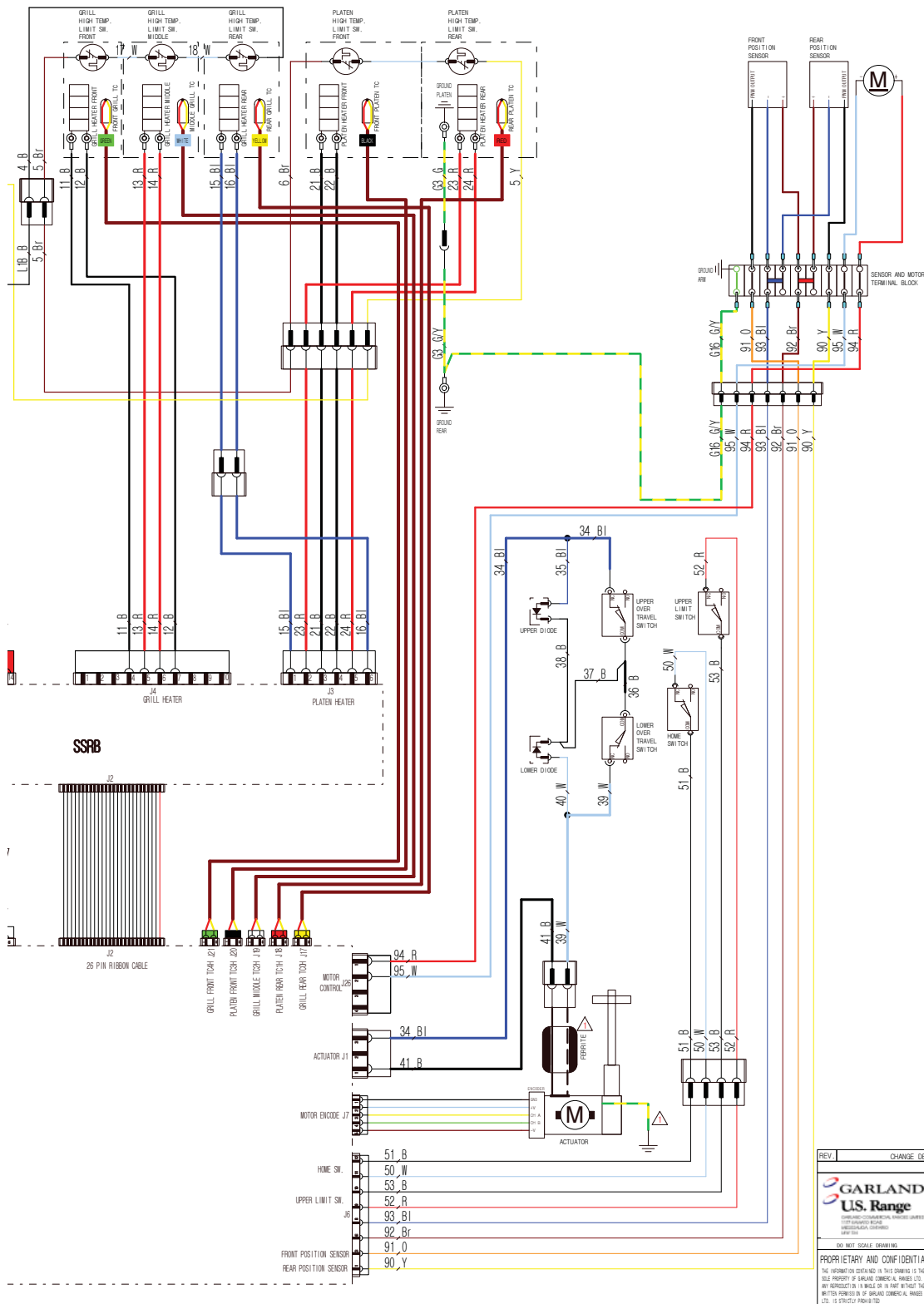
3 PLATEN ELECTRIC - ME36 WYE (4532846) - CONTINUATION



3 PLATEN ELECTRIC - ME36 WYE (4532846) - CONTINUATION

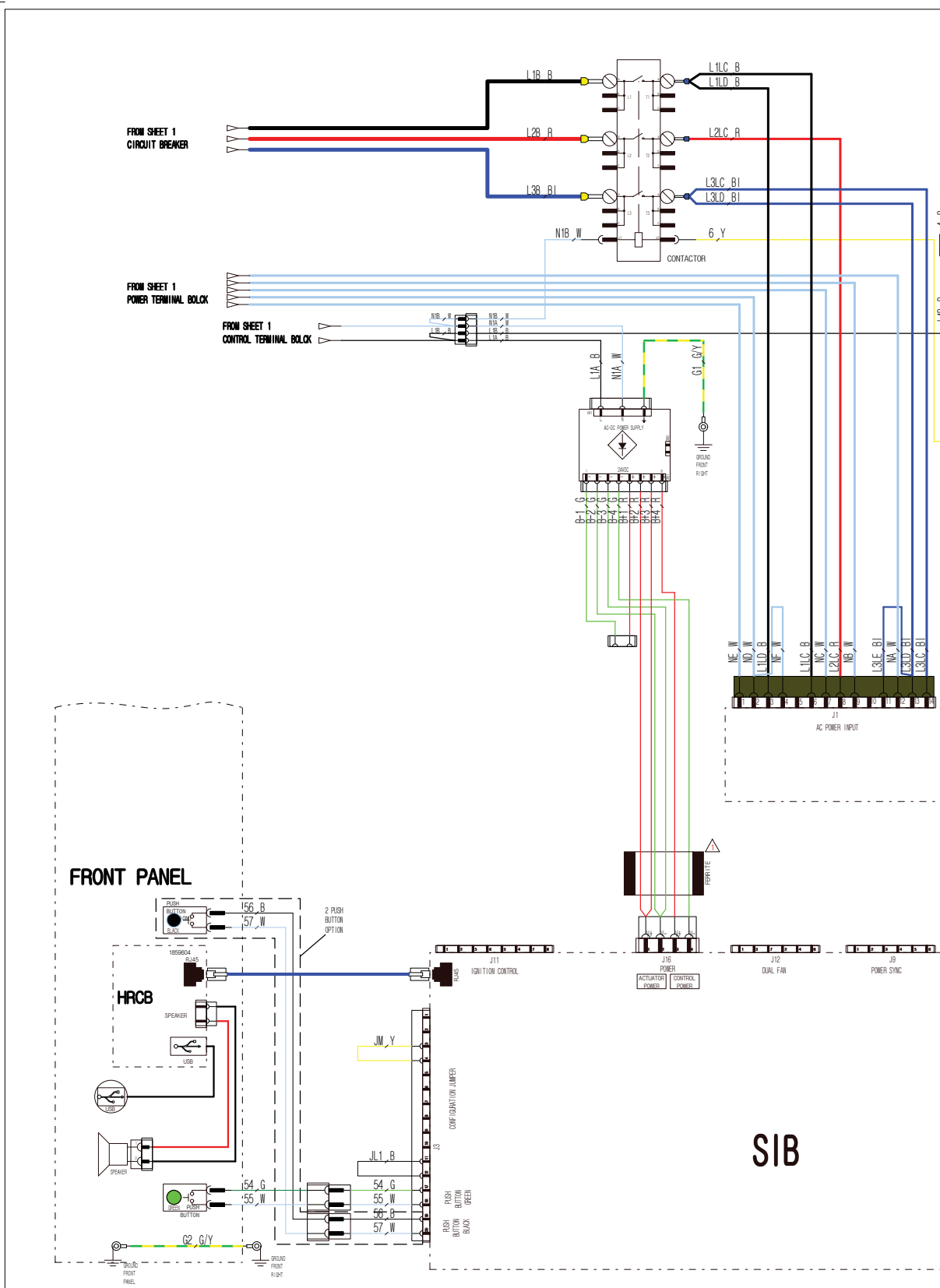
MIDDLE LANE

Wire Color Table			
B=Black	P=Pink		
Bl=Blue	R=Red		
Br=Brown	V=Violet		
G=Green	Y=Yellow		
Gr=Gray	W=White		
O=Orange			



REV	CHANGE DESCRIPTION	DR	DATE	ECO
REVISIONS				
	INTERPRET DIMENSIC-DIMENSIONING & TOLERANCING PER: ASME Y14.5M - 1994	DESIGN	DR	DATE
	UNLESS OTHERWISE SPECIFIED TOLERANCES: DECIMAL - ± 0.001 ANGULAR ± 2° ALL DIMS. ARE IN INCHES	FZ	FZ	1/APR/2015
<b>GARLAND U.S. Range</b> GARLAND COMMERCIAL PRODUCE DIVISION 10000 W. 10TH AVE., DENVER, CO 80231 DO NOT SCALE DRAWING				
TITLE: <b>WIRING DIAGRAM</b> PROPRIETARY AND CONFIDENTIAL THE INFORMATION CONTAINED IN THIS DRAWING IS THE SOLE PROPERTY OF GARLAND COMMERCIAL PRODUCE DIVISION. ANY REPRODUCTION IN WHOLE OR IN PART WITHOUT THE WRITTEN PERMISSION OF GARLAND COMMERCIAL PRODUCE DIVISION IS STRICTLY PROHIBITED.				
SIZE	DWG. NO.	REV		
C	4532846	1		
SCALE: N/A			SHEET 2 OF 3	

3 PLATEN ELECTRIC - ME36 WYE (4532846) - CONTINUATION

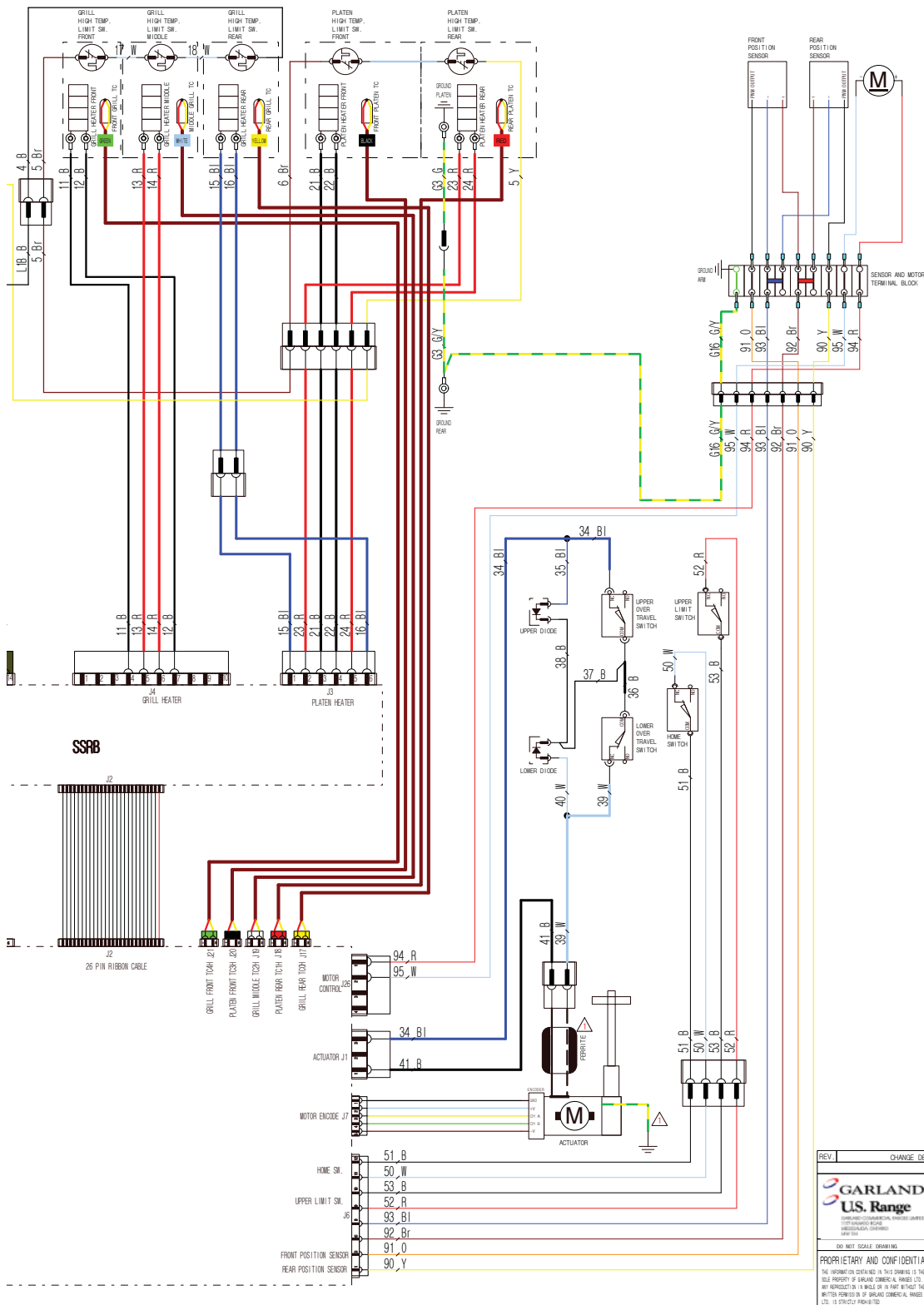




3 PLATEN ELECTRIC - ME36 WYE (4532846) - CONTINUATION

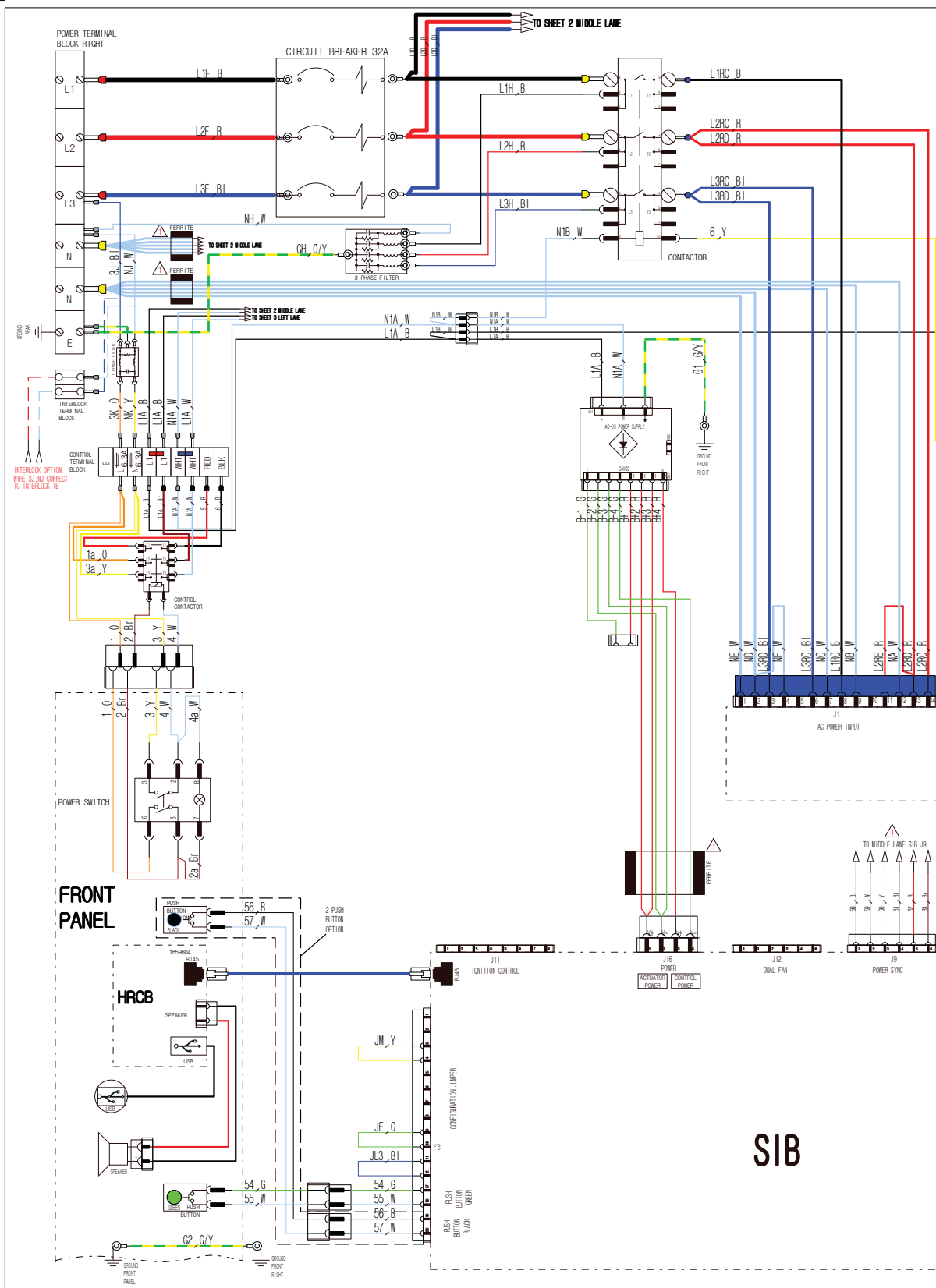
LEFT LANE

Wire Color Table	
B=Black	P=Pink
Bl=Blue	R=Red
Br=Brown	V=Violet
G=Green	Y=Yellow
Gr=Gray	W=White
O=Orange	

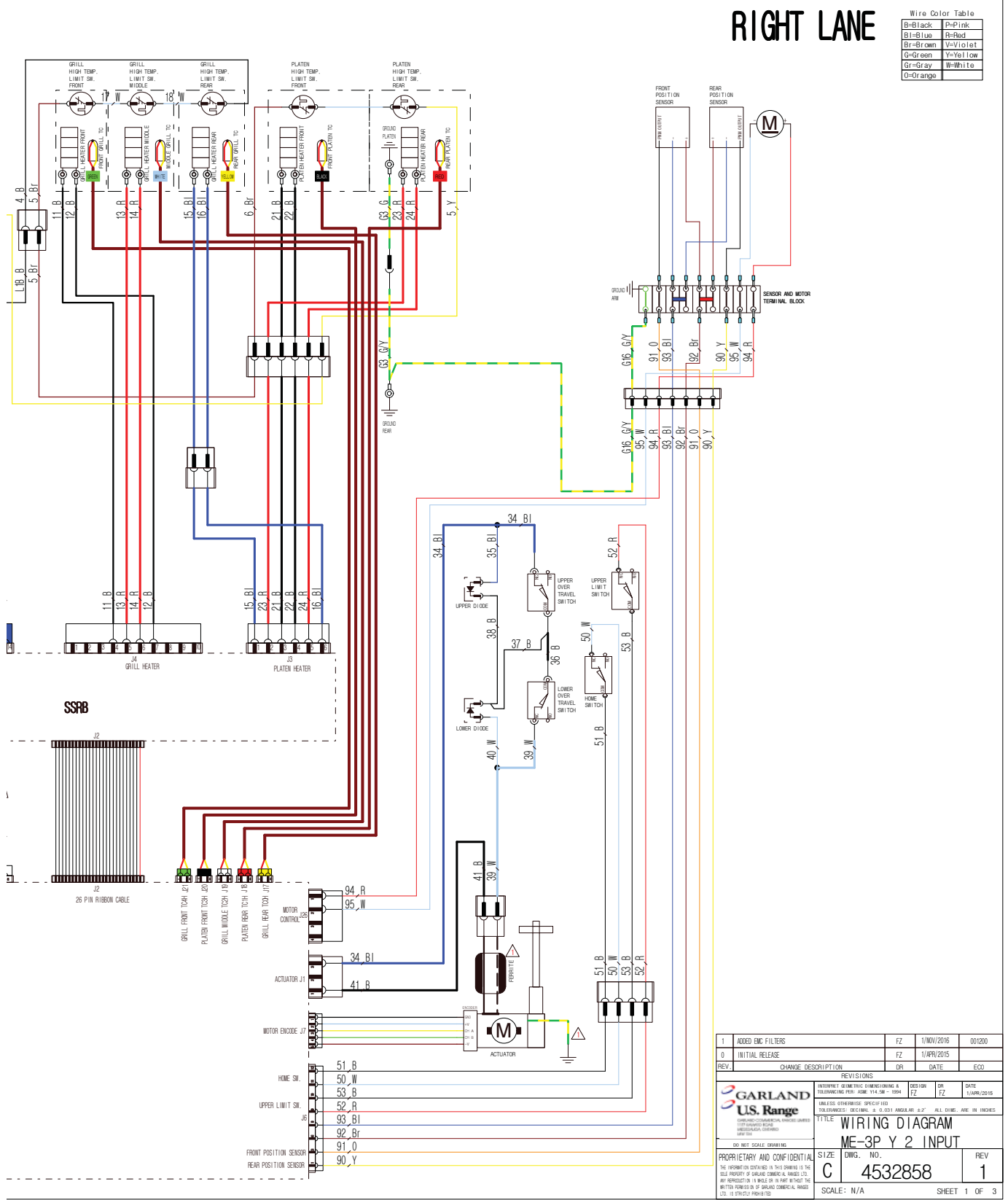


REV	CHANGE DESCRIPTION	DR	DATE	ECO
REVISIONS				
	INTERPRET DIMENSIONING DIMENSIONING & TOLERANCING PER: ASME Y14.5M - 1994	DESIGN	DR	DATE
	UNLESS OTHERWISE SPECIFIED TOLERANCES: DECIMAL - ± 0.001 ANGULAR ± 2° ALL DIMS. ARE IN INCHES	FZ	FZ	1/APR/2015
<b>GARLAND U.S. Range</b> <small>GARLAND COMMERCIAL PRODUCTS (A UNIT OF) GARLAND COMMERCIAL CORPORATION</small>				
TITLE: <b>WIRING DIAGRAM</b> ME-3P Y				
PROPRIETARY AND CONFIDENTIAL THE INFORMATION CONTAINED IN THIS DRAWING IS THE SOLE PROPERTY OF GARLAND COMMERCIAL PRODUCTS LTD. ANY REPRODUCTION IN WHOLE OR IN PART WITHOUT THE WRITTEN PERMISSION OF GARLAND COMMERCIAL PRODUCTS LTD. IS STRICTLY PROHIBITED.				
SIZE	DRWG. NO.	REV		
C	4532846	1		
SCALE: N/A			SHEET 3 OF 3	

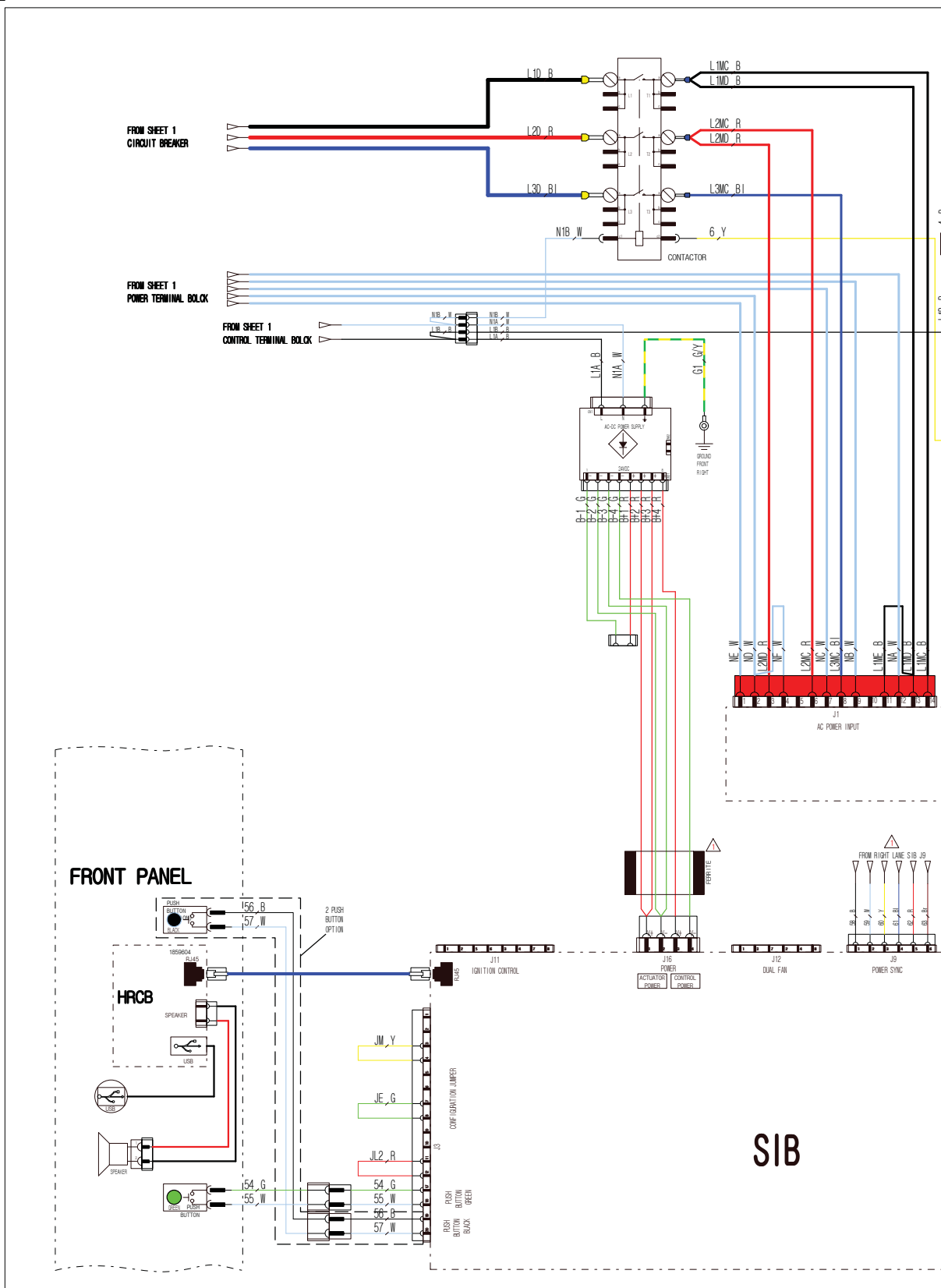
3 PLATEN ELECTRIC - ME36 WYE (4532858) - CONTINUATION



3 PLATEN ELECTRIC - ME36 WYE (4532858) - CONTINUATION



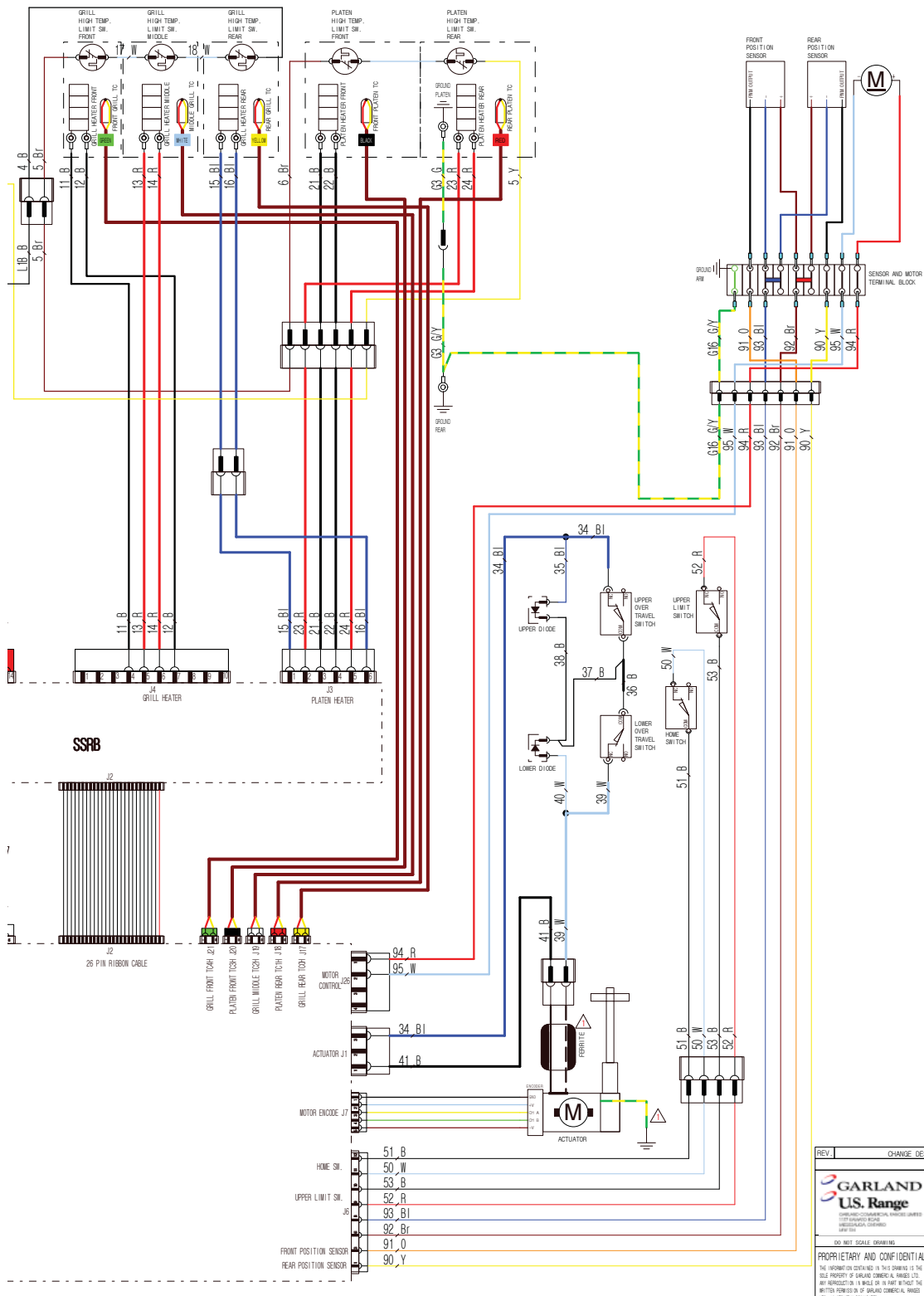
3 PLATEN ELECTRIC - ME36 WYE (4532858) - CONTINUATION



3 PLATEN ELECTRIC - ME36 WYE (4532858) - CONTINUATION

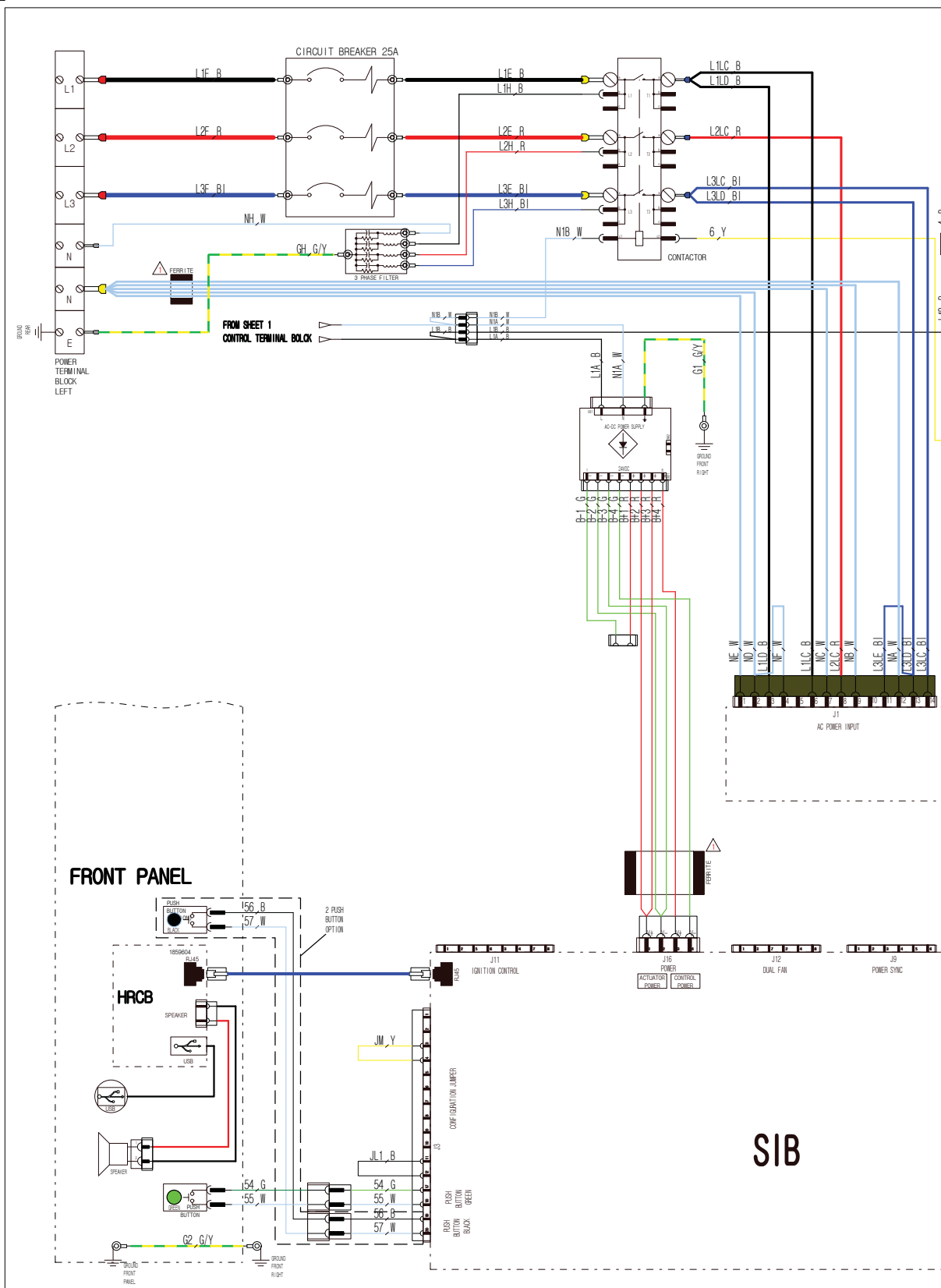
MIDDLE LANE

Wire Color Table	
B=Black	P=Pink
Bl=Blue	R=Red
Br=Brown	V=Violet
G=Green	Y=Yellow
Gr=Gray	W=White
O=Orange	



REV	CHANGE DESCRIPTION	DR	DATE	ECO
REVISIONS				
	INTERPRET DIMENSIONING DIMENSIONING & TOLERANCING PER: ASME Y14.5M - 1994	DESIGN	DR	DATE
	UNLESS OTHERWISE SPECIFIED TOLERANCES: DECIMAL - ± 0.001 ANGULAR ± 2° ALL DIMS. ARE IN INCHES	TZ	TZ	1/APR/2015
<b>GARLAND U.S. Range</b> GARLAND COMMERCIAL RANGE DIVISION 10000 W. 10TH AVENUE DENVER, CO 80201 (303) 751-1000 WWW.GARLANDUS.COM				
TITLE: <b>WIRING DIAGRAM</b> ME-3P Y 2 INPUT				
PROPRIETARY AND CONFIDENTIAL THE INFORMATION CONTAINED IN THIS DRAWING IS THE SOLE PROPERTY OF GARLAND COMMERCIAL RANGE DIVISION. ANY REPRODUCTION IN WHOLE OR IN PART WITHOUT THE WRITTEN PERMISSION OF GARLAND COMMERCIAL RANGE DIVISION IS STRICTLY PROHIBITED.				
SIZE	DRG. NO.	REV	SCALE: N/A	
C	4532858	1	SHEET 2 OF 3	

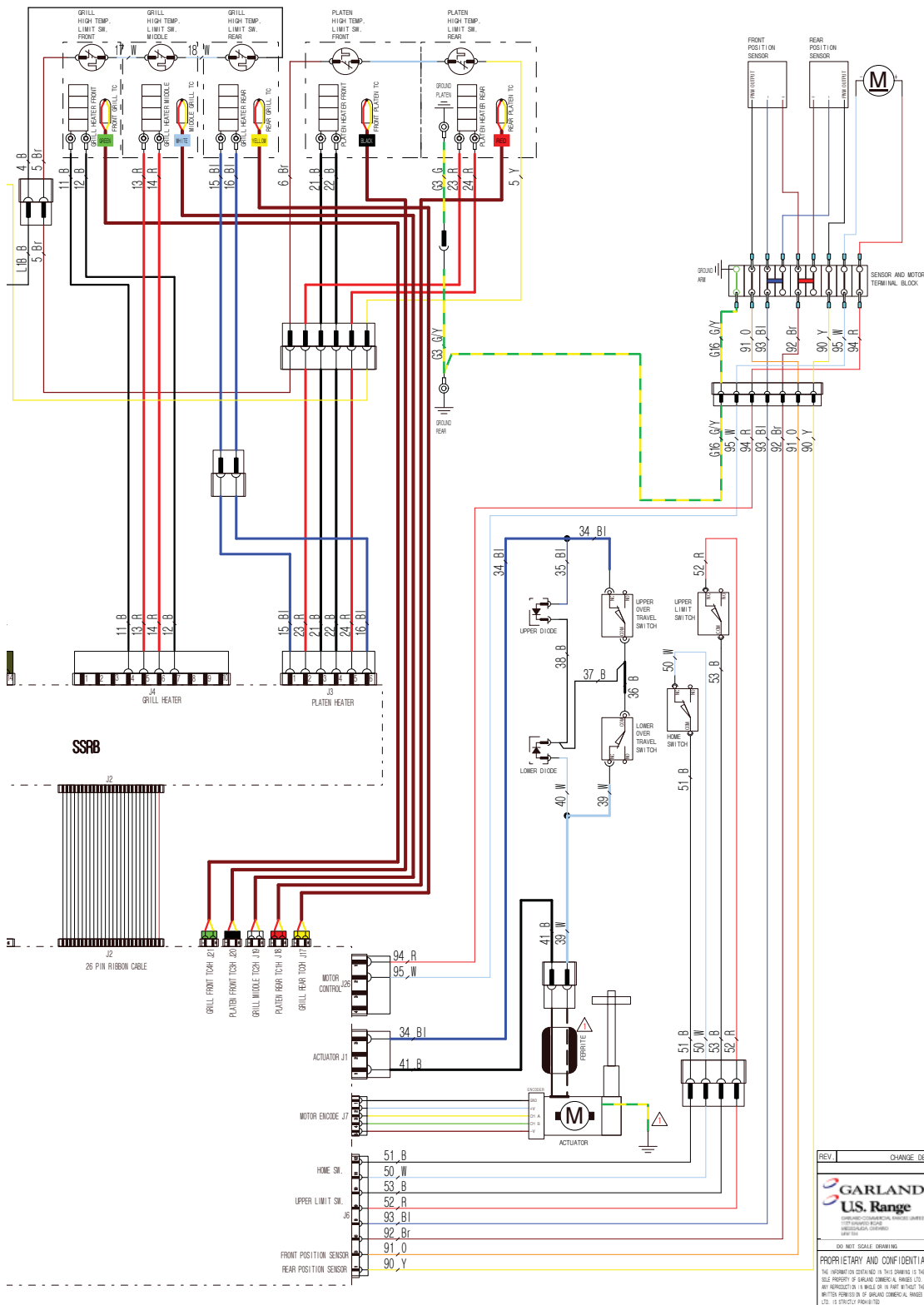
3 PLATEN ELECTRIC - ME36 WYE (4532858) - CONTINUATION



3 PLATEN ELECTRIC - ME36 WYE (4532858) - CONTINUATION

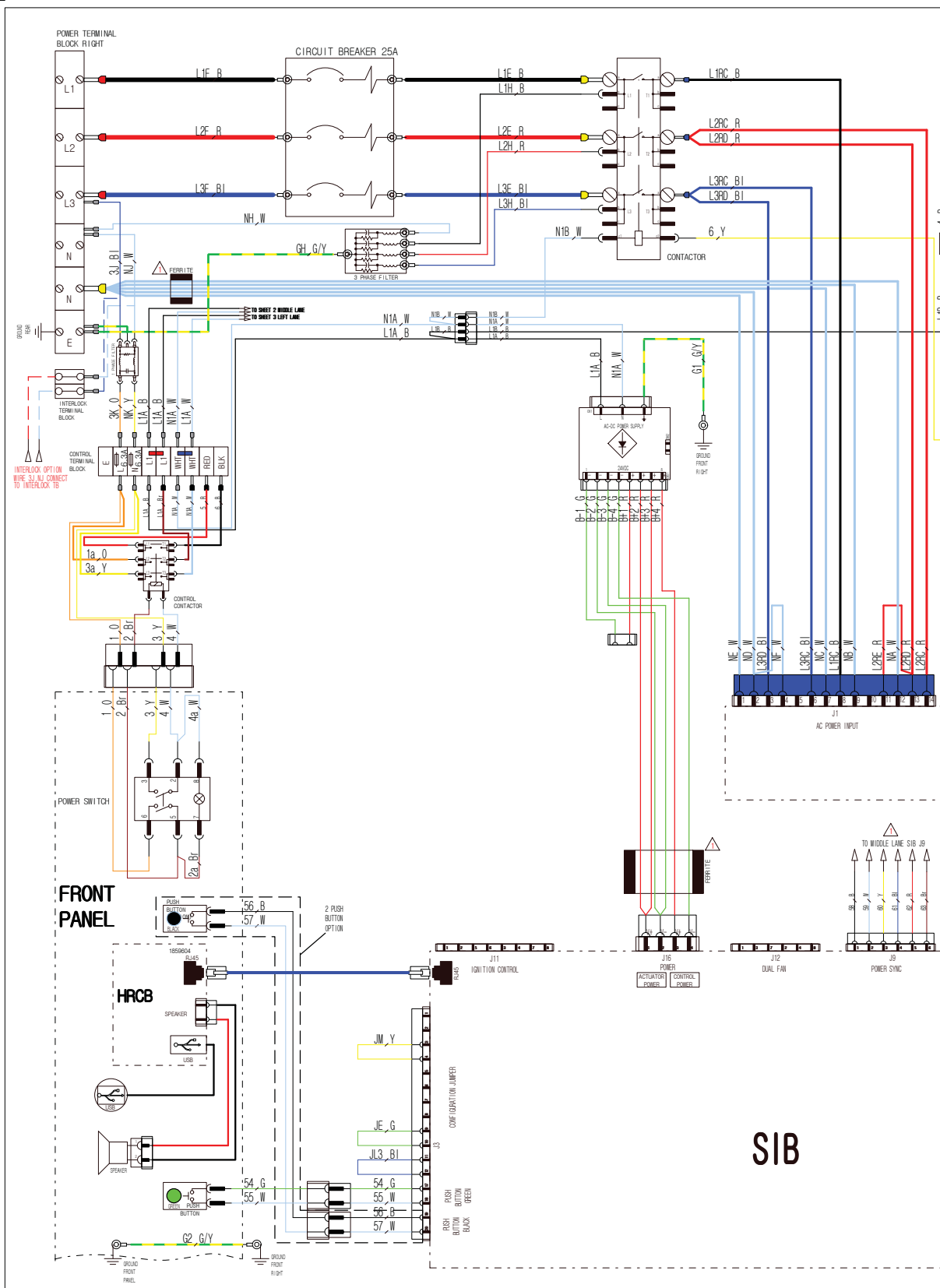
LEFT LANE

Wire Color Table	
B=Black	P=Pink
Bl=Blue	R=Red
Br=Brown	V=Violet
G=Green	Y=Yellow
Gr=Gray	W=White
O=Orange	



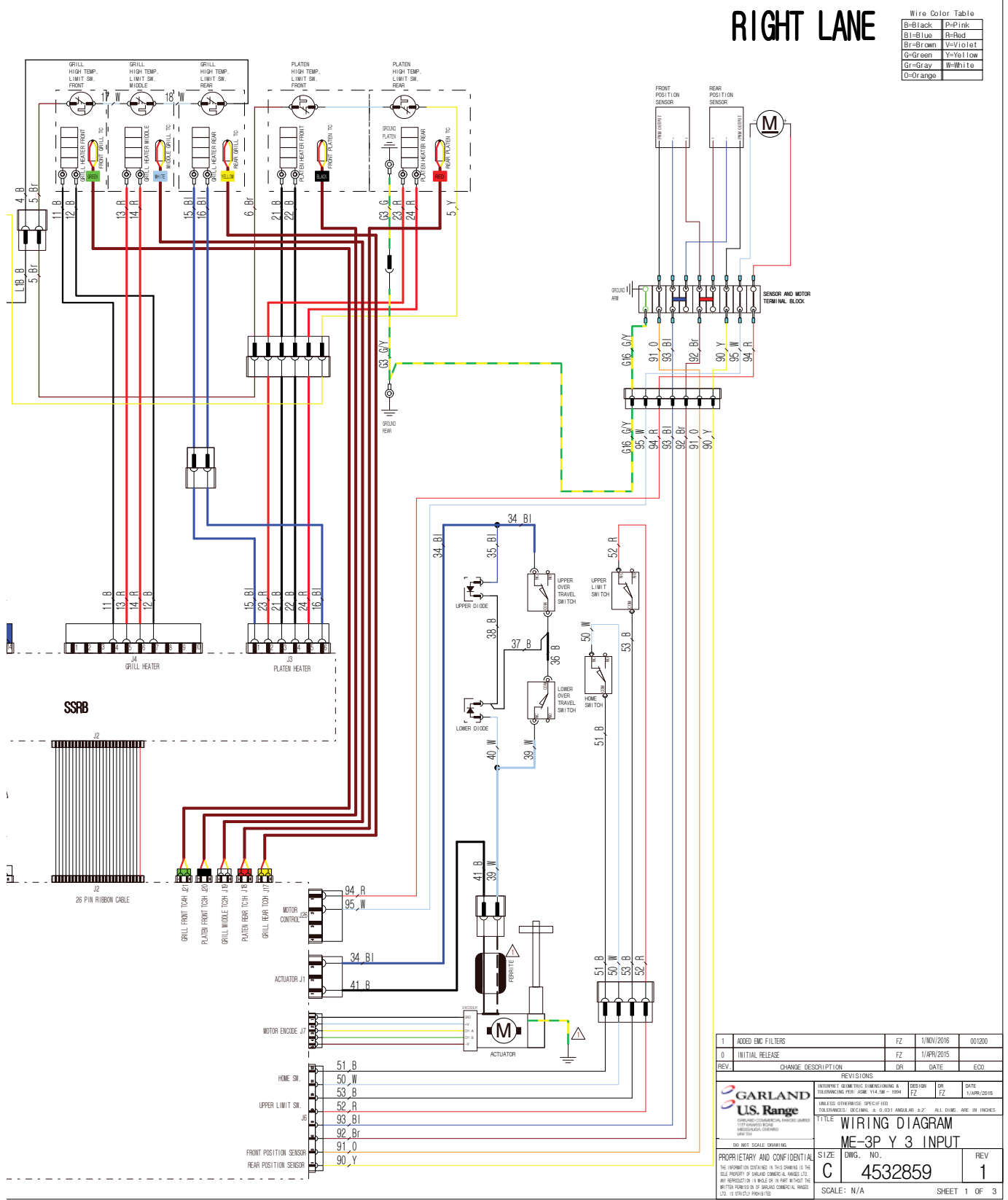
REV	CHANGE DESCRIPTION	DR	DATE	ECO
REVISIONS				
	INTERPRET DIMENSIONING DIMENSIONING & TOLERANCING PER: ASME Y14.5M - 1994	DESIGN	DR	DATE
	UNLESS OTHERWISE SPECIFIED TOLERANCES: DECIMAL - ± 0.001 ANGULAR ± 2° ALL DIMS. ARE IN INCHES	FZ	FZ	1/APR/2015
<b>GARLAND U.S. Range</b> <small>GARLAND COMMERCIAL PRODUCE LIMITED                  10000 W. 100th St., Omaha, NE 68148                  (402) 426-1000</small>				
TITLE: <b>WIRING DIAGRAM</b> ME-3P Y 2 INPUT				
PROPRIETARY AND CONFIDENTIAL THE INFORMATION CONTAINED IN THIS DRAWING IS THE SOLE PROPERTY OF GARLAND COMMERCIAL PRODUCE LTD. ANY REPRODUCTION IN WHOLE OR IN PART WITHOUT THE WRITTEN PERMISSION OF GARLAND COMMERCIAL PRODUCE LTD. IS STRICTLY PROHIBITED.				
SIZE	DRWG. NO.	REV	SCALE: N/A SHEET 3 OF 3	
C	4532858	1		

3 PLATEN ELECTRIC - ME36 WYE (4532859)



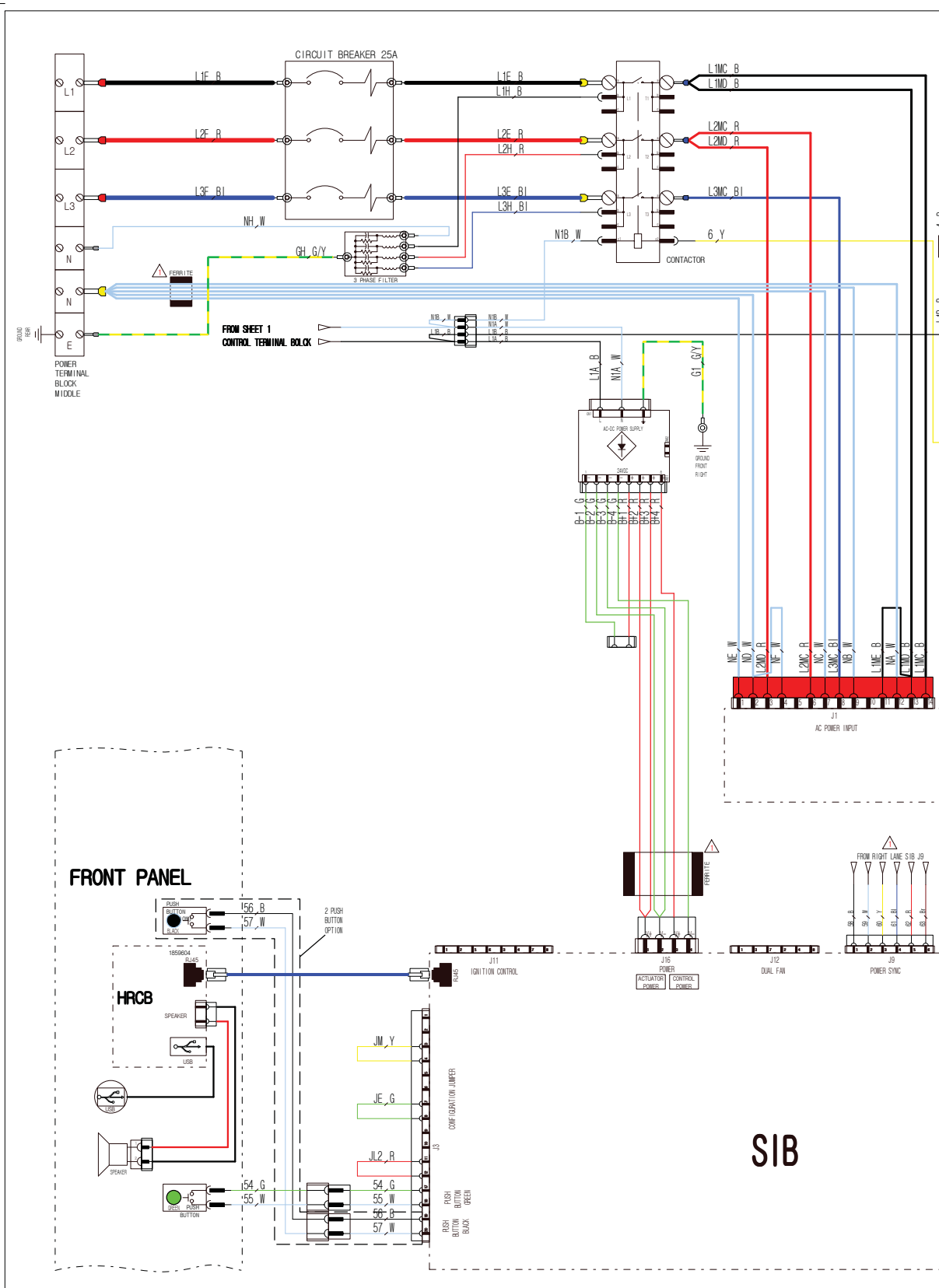


3 PLATEN ELECTRIC - ME36 WYE (4532859) - CONTINUATION



1	ADDED EMC FILTERS	FZ	1/NOV/2016	001200
0	INITIAL RELEASE	FZ	1/APR/2015	
REV	CHANGE DESCRIPTION	DR	DATE	ECO
REVISIONS				
		DESIGN	DR	DATE
INTERPRET DIMENSIONS DIMENSIONING & TOLERANCING PER: ASME Y14.5M - 1994 UNLESS OTHERWISE SPECIFIED TOLERANCES: DECIMALS = 0.0031 ANGULAR ± 2° ALL DIMS. ARE IN INCHES GARLAND COMMERCIAL PRODUCTS (GARLAND) CORPORATION 10000 GARLAND DRIVE GARLAND, TEXAS 75042		TITLE	WIRING DIAGRAM	
PROPRIETARY AND CONFIDENTIAL THE INFORMATION CONTAINED IN THIS DRAWING IS THE SOLE PROPERTY OF GARLAND COMMERCIAL PRODUCTS LTD. ANY REPRODUCTION IN WHOLE OR IN PART WITHOUT THE WRITTEN PERMISSION OF GARLAND COMMERCIAL PRODUCTS LTD. IS STRICTLY PROHIBITED.		SIZE	ME-3P Y 3 INPUT	
DO NOT SCALE DRAWING		SIZE	4532859	REV
		SCALE:	N/A	SHEET 1 OF 3

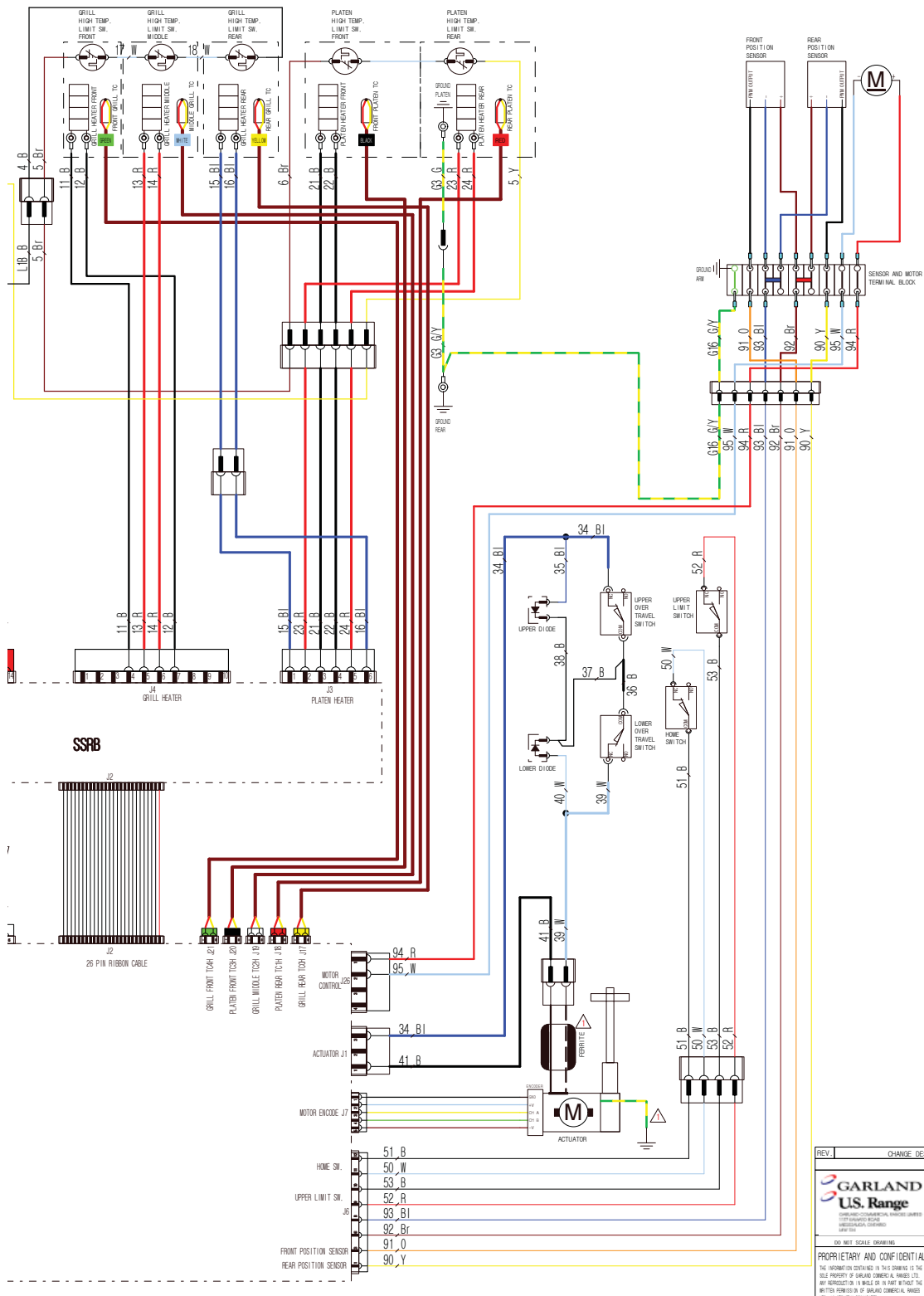
3 PLATEN ELECTRIC - ME36 WYE (4532859) - CONTINUATION



3 PLATEN ELECTRIC - ME36 WYE (4532859) - CONTINUATION

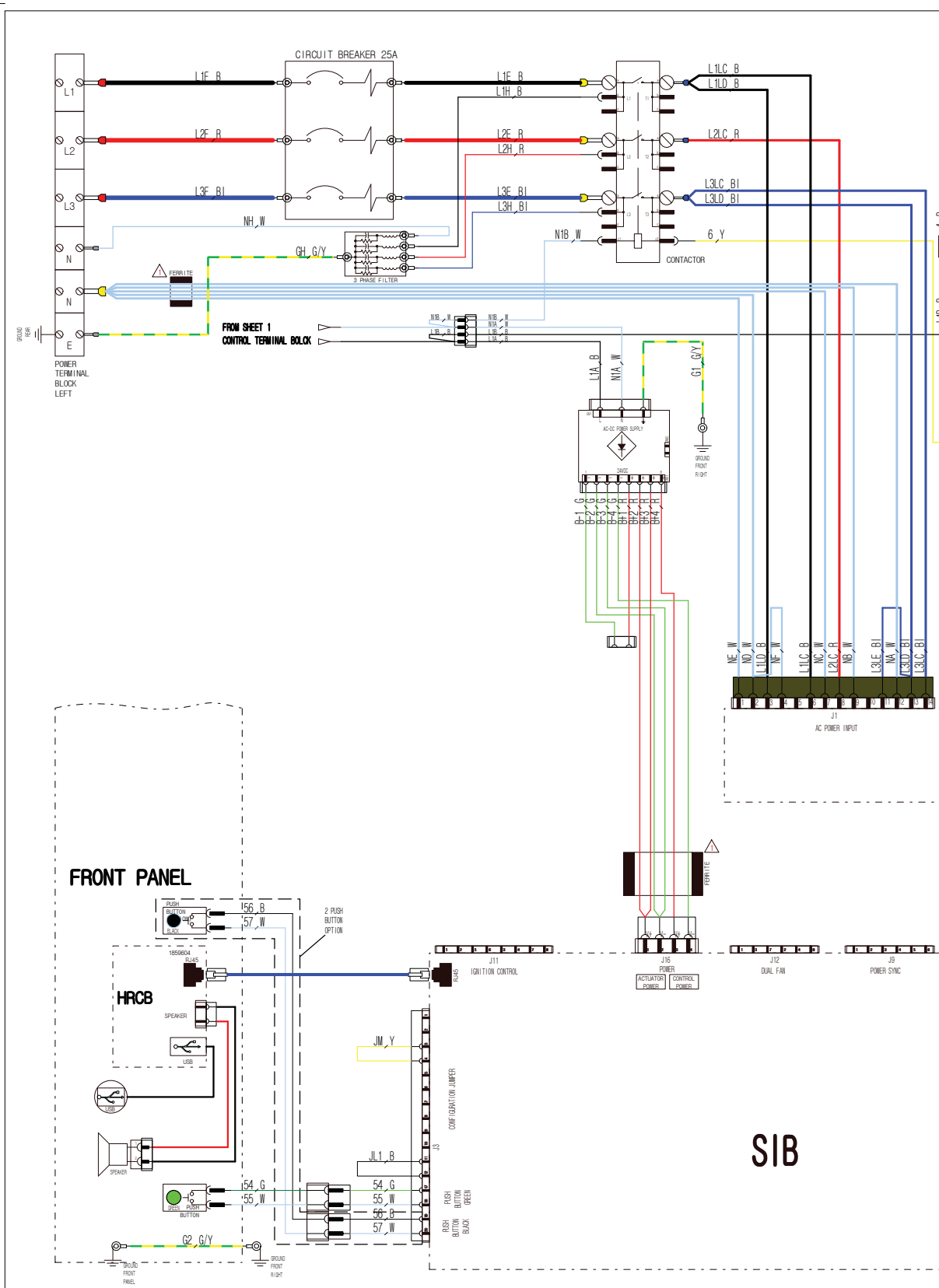
MIDDLE LANE

B=Black	P=Pink
Bl=Blue	R=Red
Br=Brown	V=Violet
G=Green	Y=Yellow
Gr=Gray	W=White
O=Orange	



REV	CHANGE DESCRIPTION	DR	DATE	ECO
REVISIONS				
1	INTERPRET DIMENSIONING DIMENSIONING & TOLERANCING PER: ASME Y14.5M - 1994	FR	DATE	1/APR/2015
UNLESS OTHERWISE SPECIFIED TOLERANCES: DECIMAL - ± 0.001 ANGULAR ± 2° ALL DIMS. ARE IN INCHES				
DO NOT SCALE DRAWING				
TITLE: WIRING DIAGRAM ME-3P Y 3 INPUT				
PROPRIETARY AND CONFIDENTIAL	SIZE: C	DWG. NO.: 4532859	REV: 1	SCALE: N/A
THE INFORMATION CONTAINED IN THIS DRAWING IS THE SOLE PROPERTY OF GARLAND COMMERCIAL RANGE CO. ANY REPRODUCTION IN WHOLE OR IN PART WITHOUT THE WRITTEN PERMISSION OF GARLAND COMMERCIAL RANGE CO. IS STRICTLY PROHIBITED.				SHEET 2 OF 3

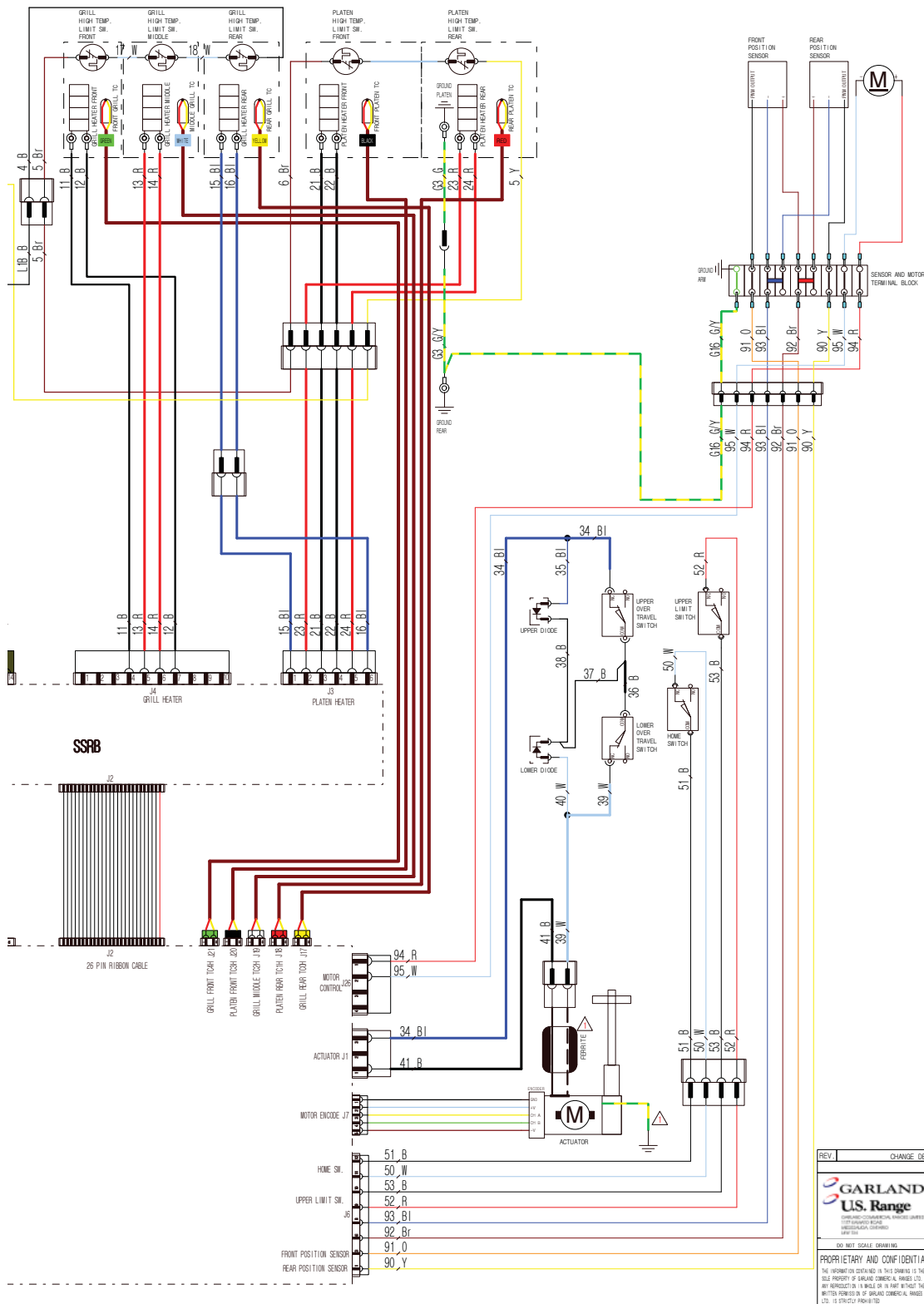
3 PLATEN ELECTRIC - ME36 WYE (4532859) - CONTINUATION



3 PLATEN ELECTRIC - ME36 WYE (4532859) - CONTINUATION

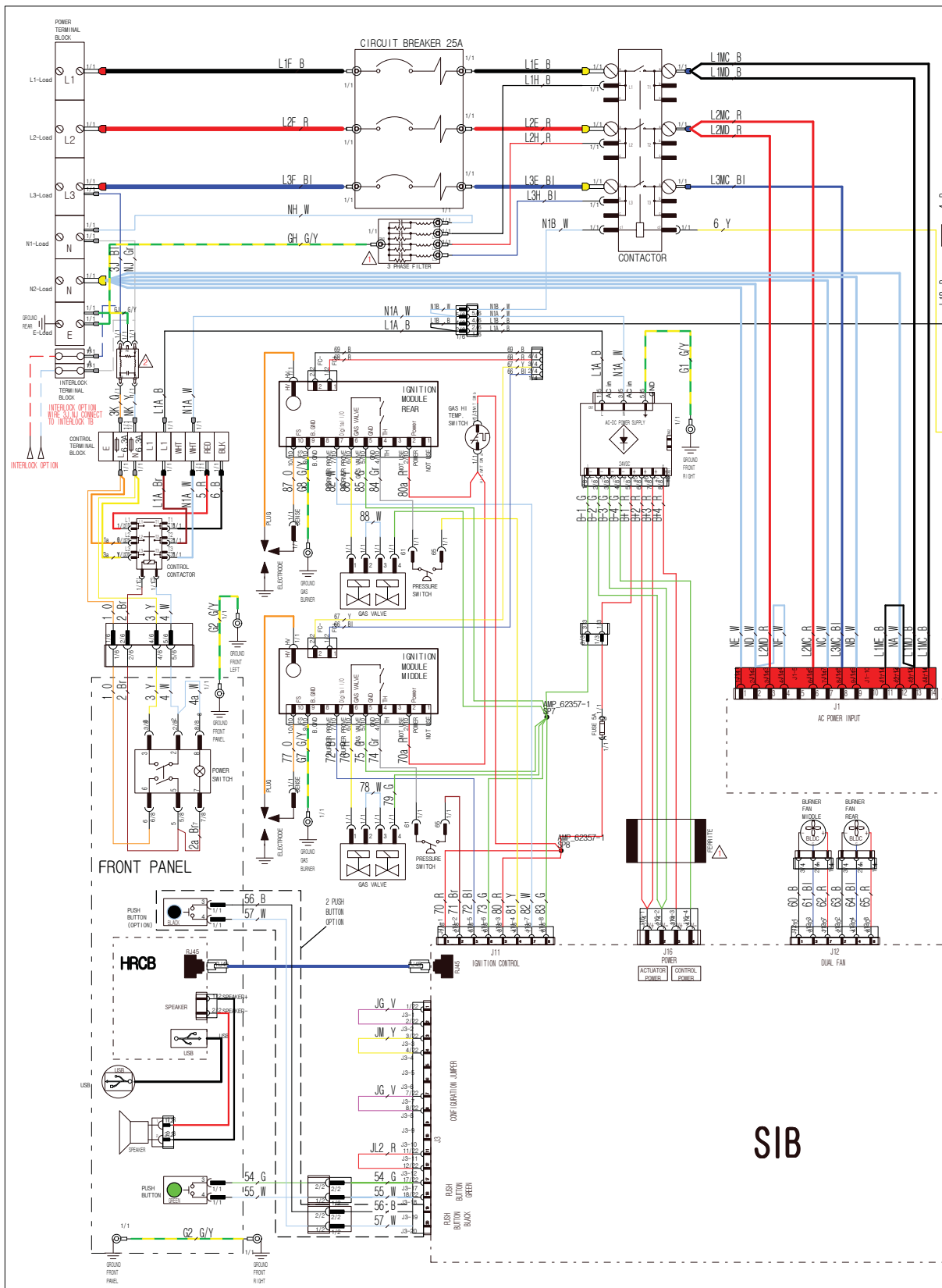
LEFT LANE

Wire Color Table			
B=Black	P=Pink		
Bl=Blue	R=Red		
Br=Brown	V=Violet		
G=Green	Y=Yellow		
Gr=Gray	W=White		
O=Orange			

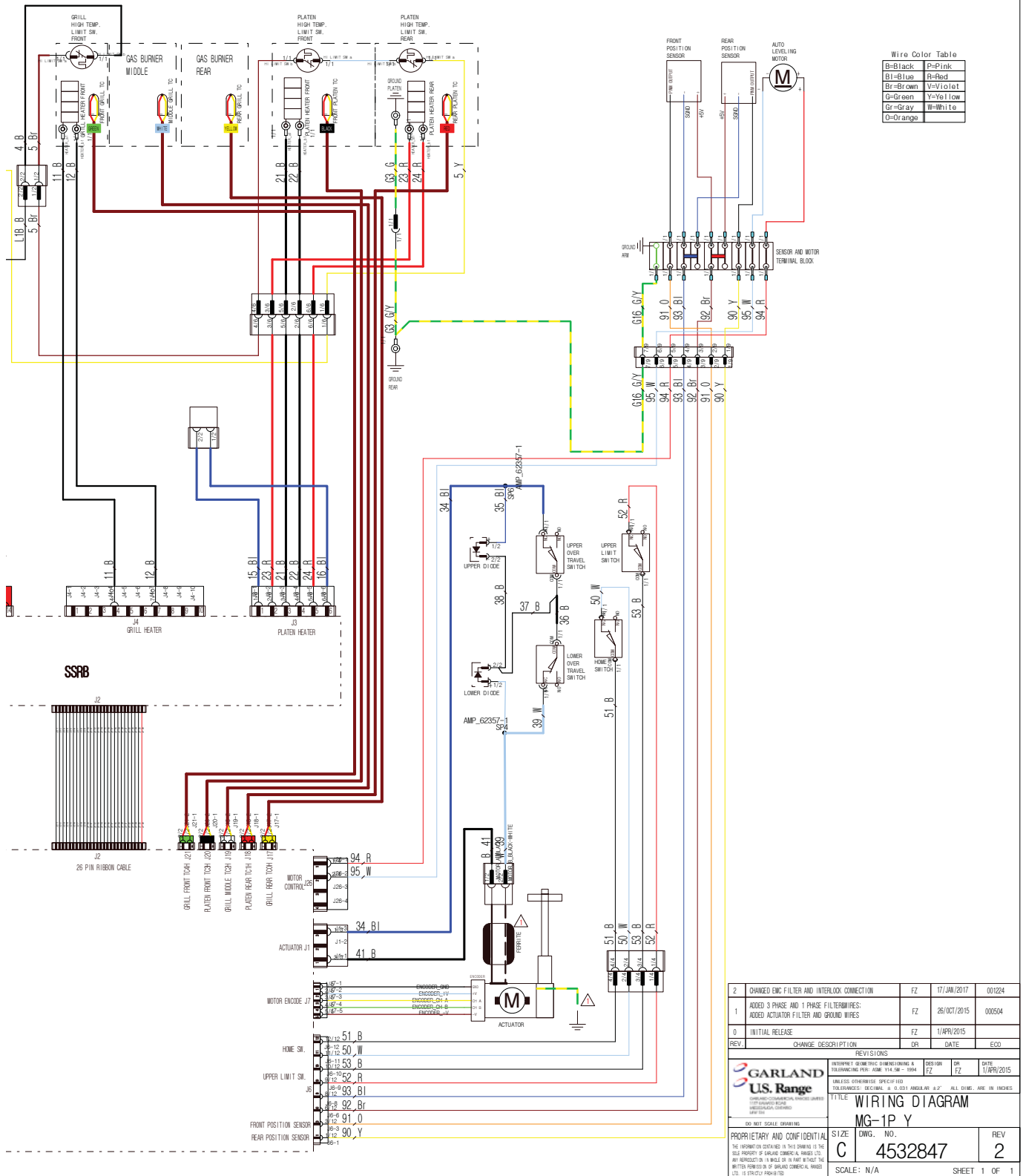


REV	CHANGE DESCRIPTION	DR	DATE	ECO
REVISIONS				
	INTERPRET DIMENSIONING DIMENSIONS AND TOLERANCING PER: ASME Y14.5M - 1994	DESIGN	DR	DATE
	UNLESS OTHERWISE SPECIFIED TOLERANCES: DECIMAL - ± 0.001 ANGULAR ± 2° ALL DIMS. ARE IN INCHES	FZ	FZ	1/APR/2015
<b>GARLAND U.S. Range</b> <small>GARLAND COMMERCIAL HOME APPLIANCES CORPORATION</small> <small>DO NOT SCALE DRAWING</small>				
TITLE: <b>WIRING DIAGRAM</b> ME-3P Y 3 INPUT				
PROPRIETARY AND CONFIDENTIAL <small>THE INFORMATION CONTAINED IN THIS DRAWING IS THE SOLE PROPERTY OF GARLAND COMMERCIAL APPLIANCES LTD. ANY REPRODUCTION IN WHOLE OR IN PART WITHOUT THE WRITTEN PERMISSION OF GARLAND COMMERCIAL APPLIANCES LTD. IS STRICTLY PROHIBITED.</small>		SIZE: <b>C</b> DWG. NO.: <b>4532859</b>	REV: <b>1</b>	SCALE: N/A SHEET 3 OF 3

1 PLATEN GAS - MG12 WYE (4532847)

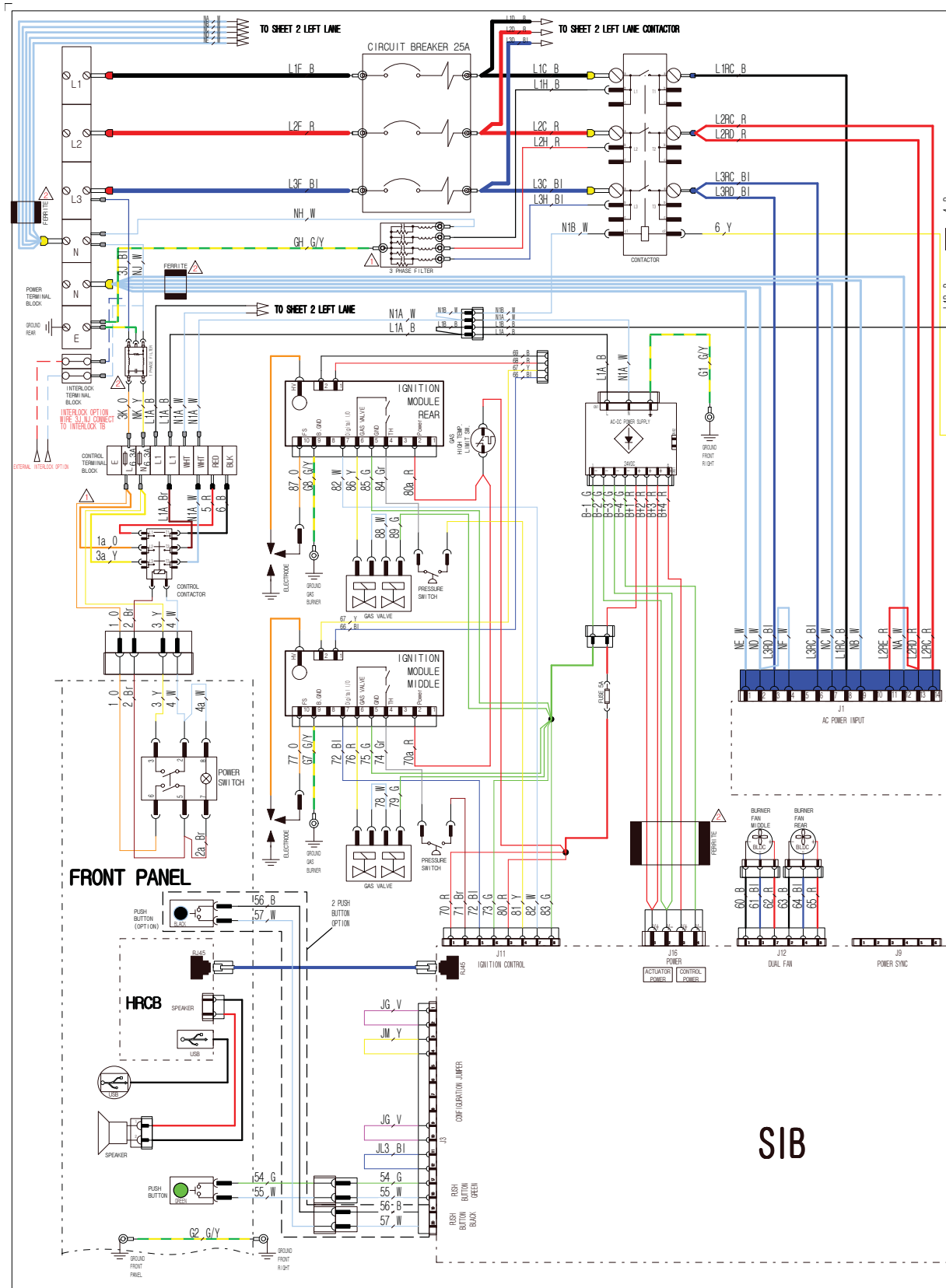


1 PLATEN GAS - MG12 WYE (4532847) - CONTINUATION



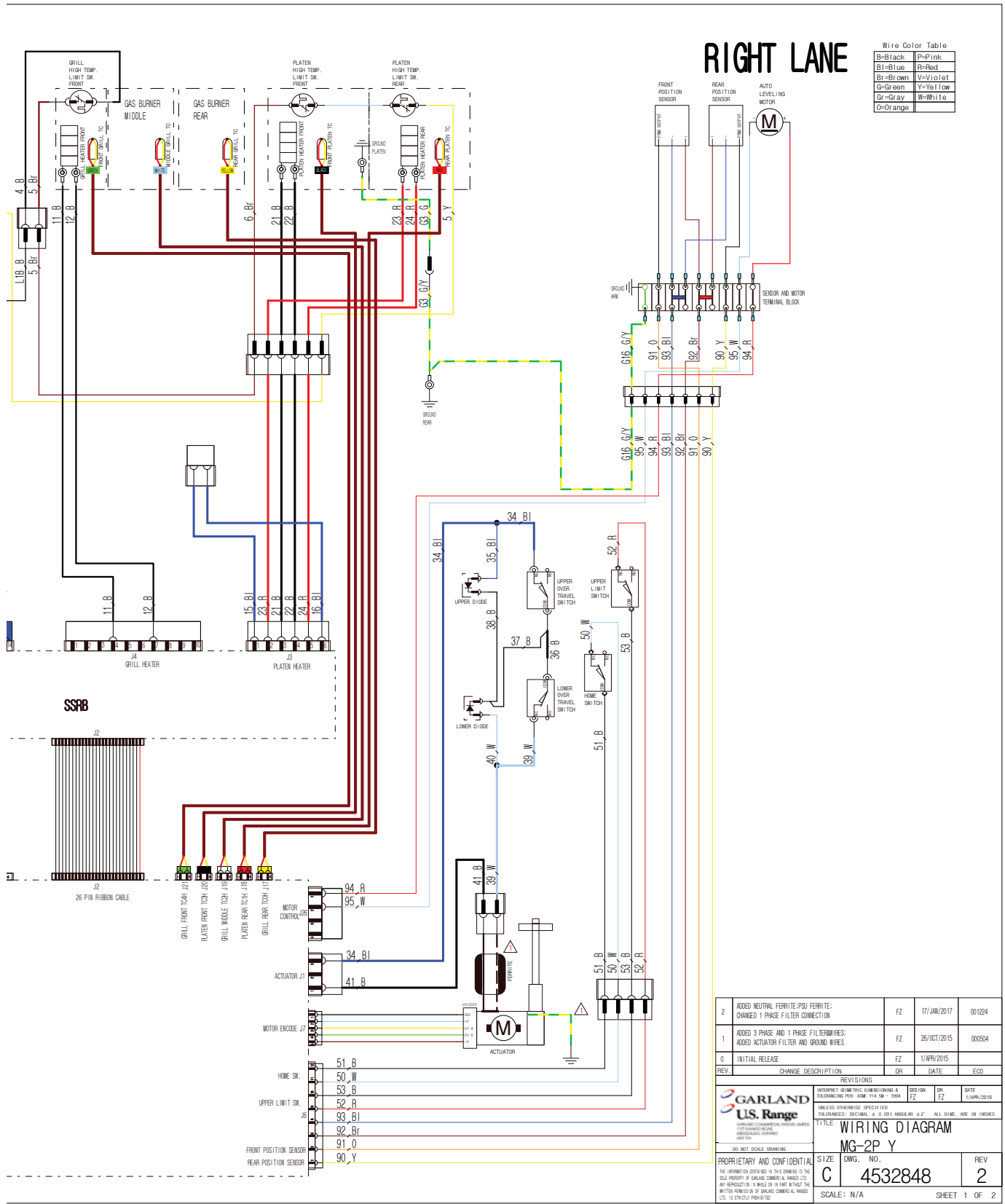
2	CHANGED EMC FILTER AND INTERLOCK CONNECTION	FZ	17/JAN/2017	001224
1	ADDED 3 PHASE AND 1 PHASE FILTER WIRES; ADDED ACTUATOR FILTER AND GROUND WIRES	FZ	26/OCT/2015	000504
0	INITIAL RELEASE	FZ	1/APR/2015	
REV	CHANGE DESCRIPTION	DR	DATE	ECO
REVISIONS				
		DESIGN	SR	DATE
GARLAND COMMERCIAL RANGE (SERIES 00) PRODUCT MODEL MG12WYE (4532847)		FZ	FZ	1/APR/2015
TITLE: WIRING DIAGRAM MG-1P-Y				
PROPRIETARY AND CONFIDENTIAL				
SIZE	NO.	REV		
C	4532847	2		
SCALE: N/A			SHEET 1 OF 1	

2 PLATEN GAS - MG24 WYE (4532848)





## 2 PLATEN GAS - MG24 WYE (4532848) - CONTINUATION



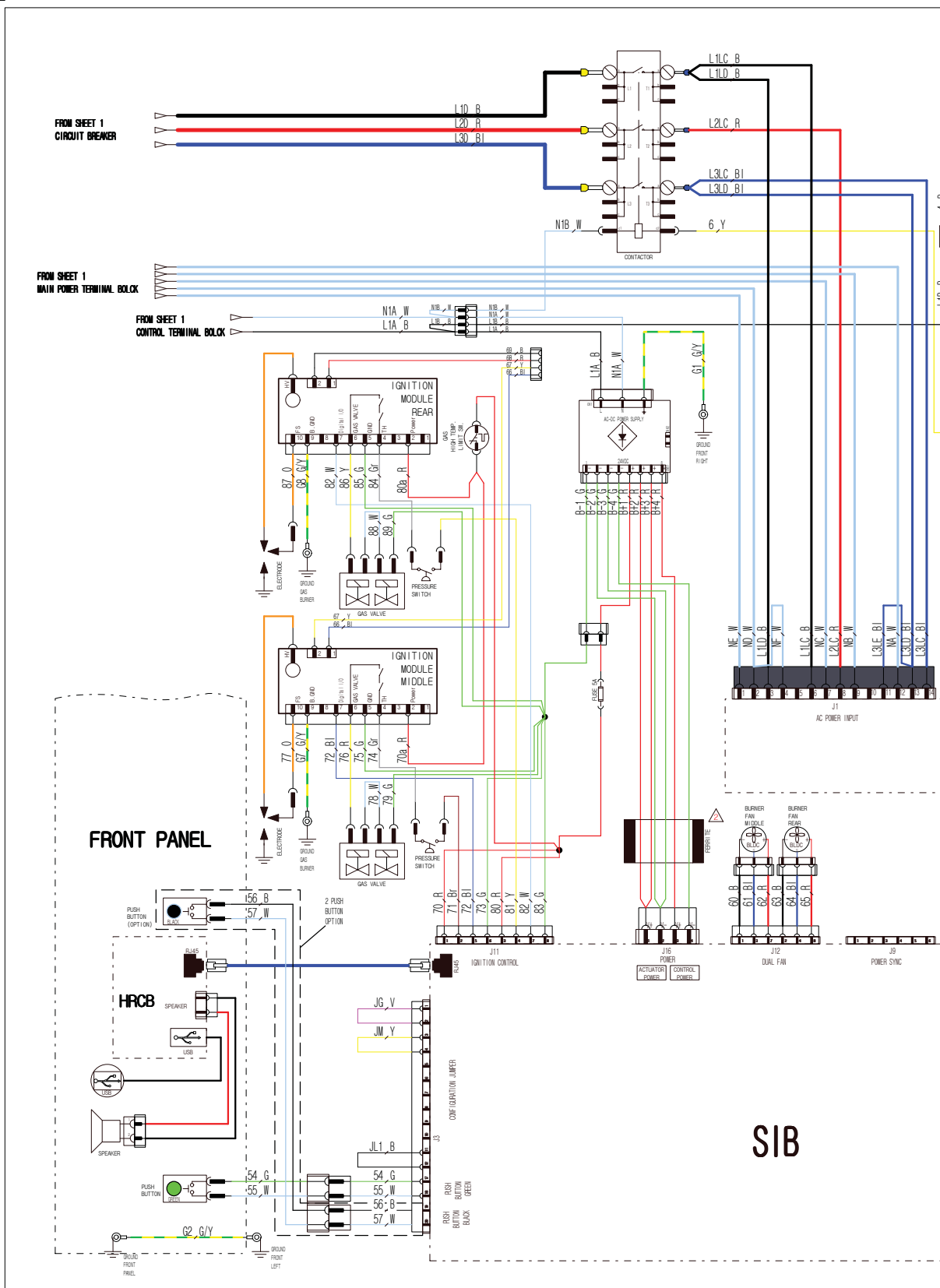
REV	CHANGE DESCRIPTION	DATE	ECO
2	ADDED NEUTRAL FERRITE (PSU FERRITE); CHANGED 1 PHASE FILTER CONNECTION	FZ 17/JAN/2017	001224
1	ADDED 3 PHASE AND 1 PHASE FILTER WIRES; ADDED ACTUATOR FILTER AND GROUND WIRES	FZ 26/OCT/2015	000504
0	INITIAL RELEASE	FZ 1/APR/2015	

REV	CHANGE DESCRIPTION	DATE	ECO
2	ADDED NEUTRAL FERRITE (PSU FERRITE); CHANGED 1 PHASE FILTER CONNECTION	FZ 17/JAN/2017	001224
1	ADDED 3 PHASE AND 1 PHASE FILTER WIRES; ADDED ACTUATOR FILTER AND GROUND WIRES	FZ 26/OCT/2015	000504
0	INITIAL RELEASE	FZ 1/APR/2015	

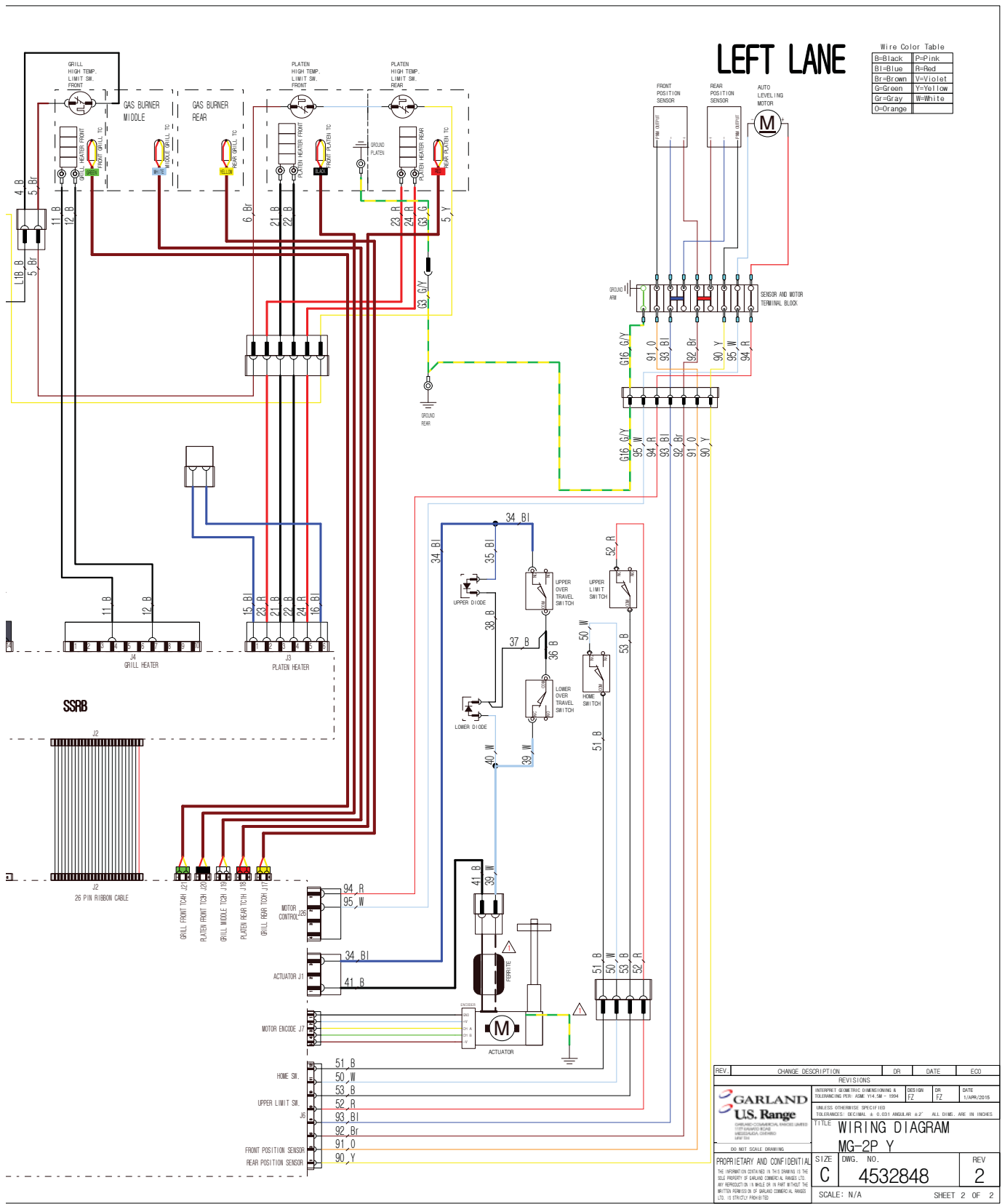
REV	DATE	DESIGN	DR	DATE	ECO
		FZ		1/APR/2015	

<p>UNLESS OTHERWISE SPECIFIED TOLERANCES: DECIMAL - ± 0.003 ANGULAR ± 2° ALL DIMS. ARE IN INCHES</p>	<b>TITLE</b> WIRING DIAGRAM	
	<b>MG-2P Y</b>	
PROPRIETARY AND CONFIDENTIAL	<b>SIZE</b> C	<b>DWG. NO.</b> 4532848
		<b>REV</b> 2
SCALE: N/A		SHEET 1 OF 2

2 PLATEN GAS - MG24 WYE (4532848) - CONTINUATION

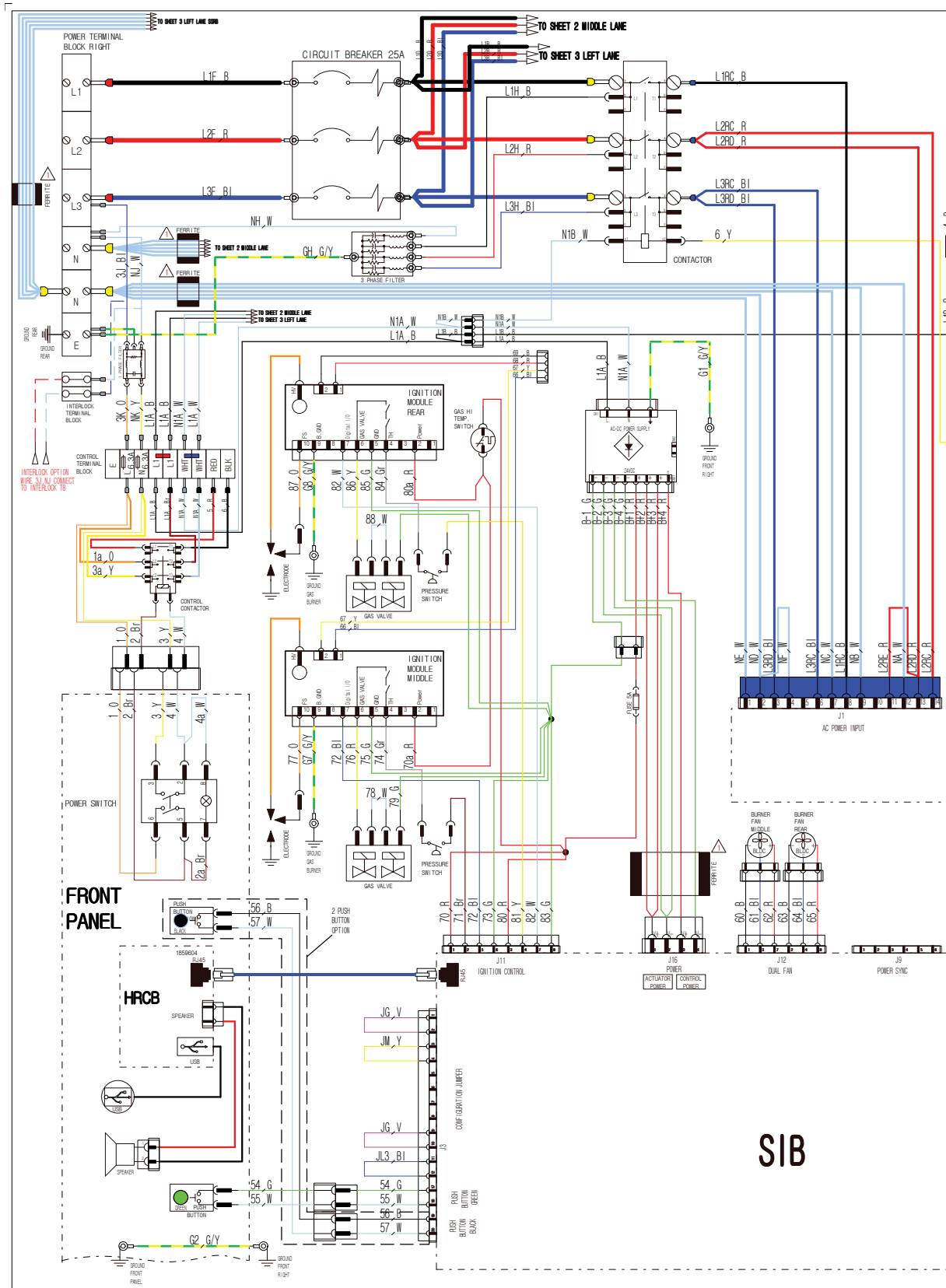


2 PLATEN GAS - MG24 WYE (4532848) - CONTINUATION

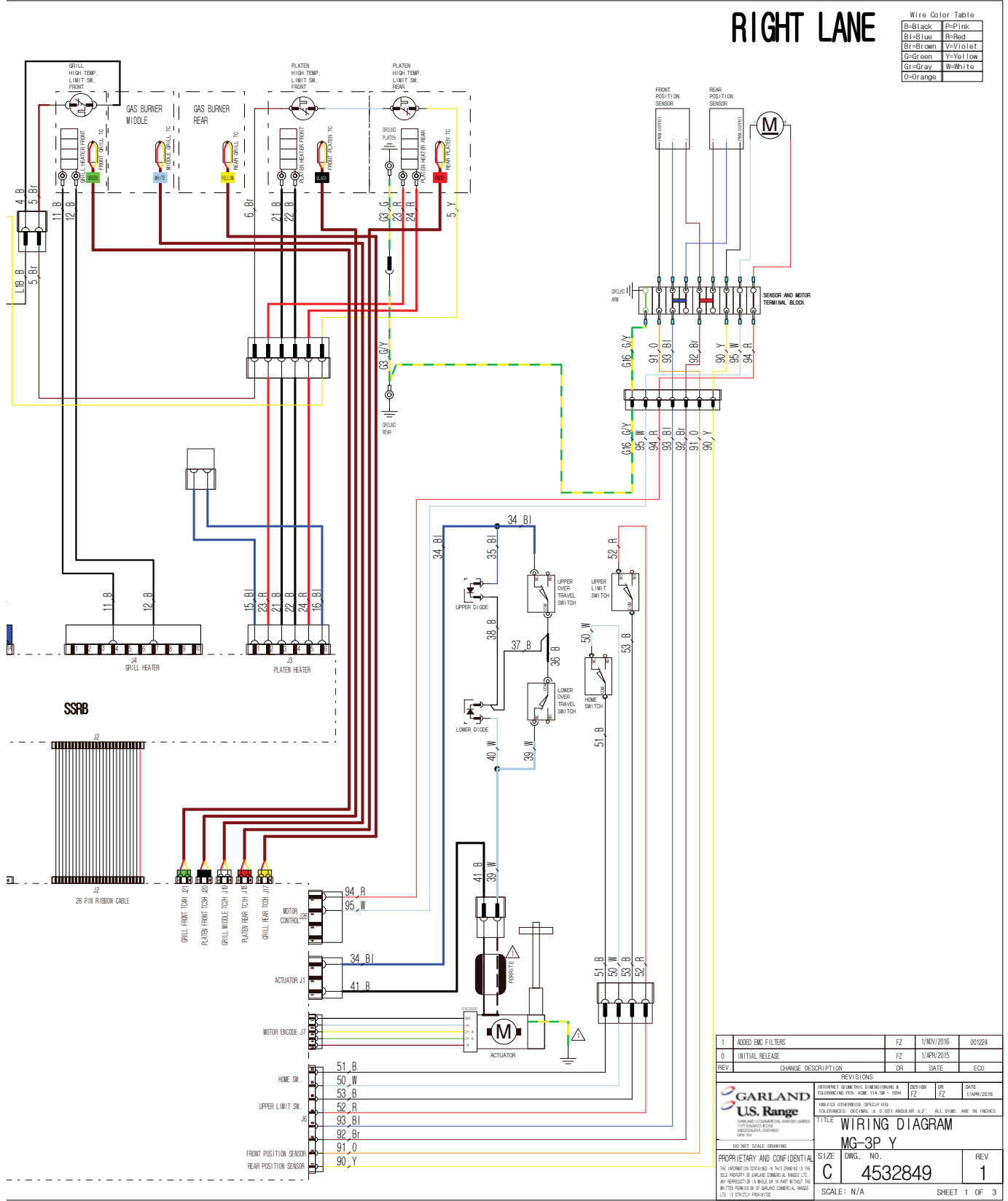


REV	CHANGE DESCRIPTION	DR	DATE	ECO
REVISIONS				
	INTERPRET GEOMETRIC DIMENSIONING & TOLERANCING PER: ASME Y14.5M - 1994	DESIGN	SR	DATE
	UNLESS OTHERWISE SPECIFIED TOLERANCES: DECIMALS - ± 0.003 ANGULAR ± 2° ALL DIMS. ARE IN INCHES	FZ	FZ	1/APR/2015
<b>GARLAND U.S. Range</b> <small>GARLAND COMMERCIAL RANGE DIVISION OF GARLAND COMMERCIAL RANGE, INC. 10000 GARLAND DRIVE, GARLAND, TX 75042</small>				
TITLE: <b>WIRING DIAGRAM</b> PROPRIETARY AND CONFIDENTIAL MG-2P Y				
SIZE	DWG. NO.	REV		
C	4532848	2		
SCALE: N/A			SHEET 2 OF 2	

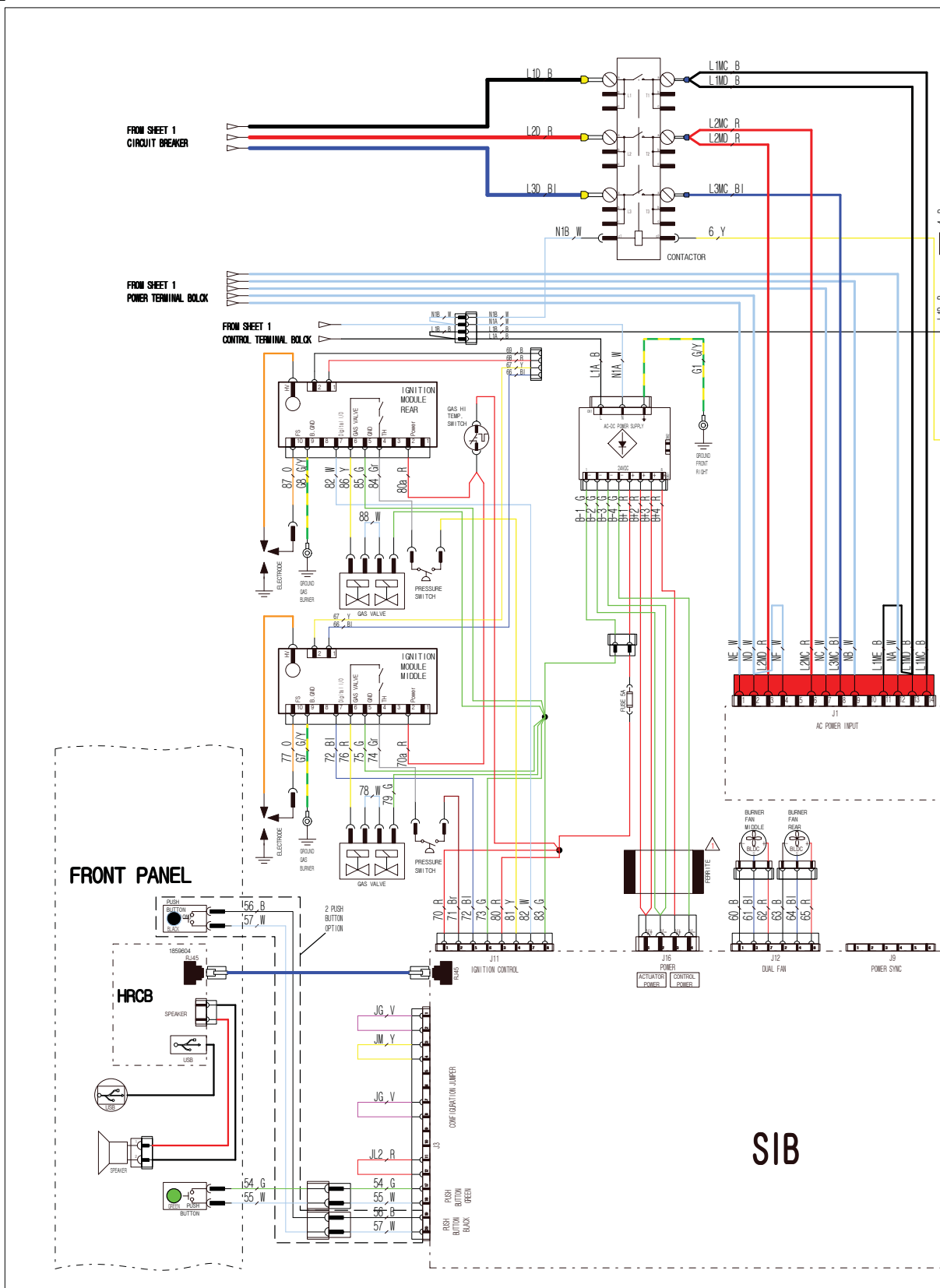
3 PLATEN GAS - MG36 WYE (4532849)



3 PLATEN GAS - MG36 WYE (4532849) - CONTINUATION



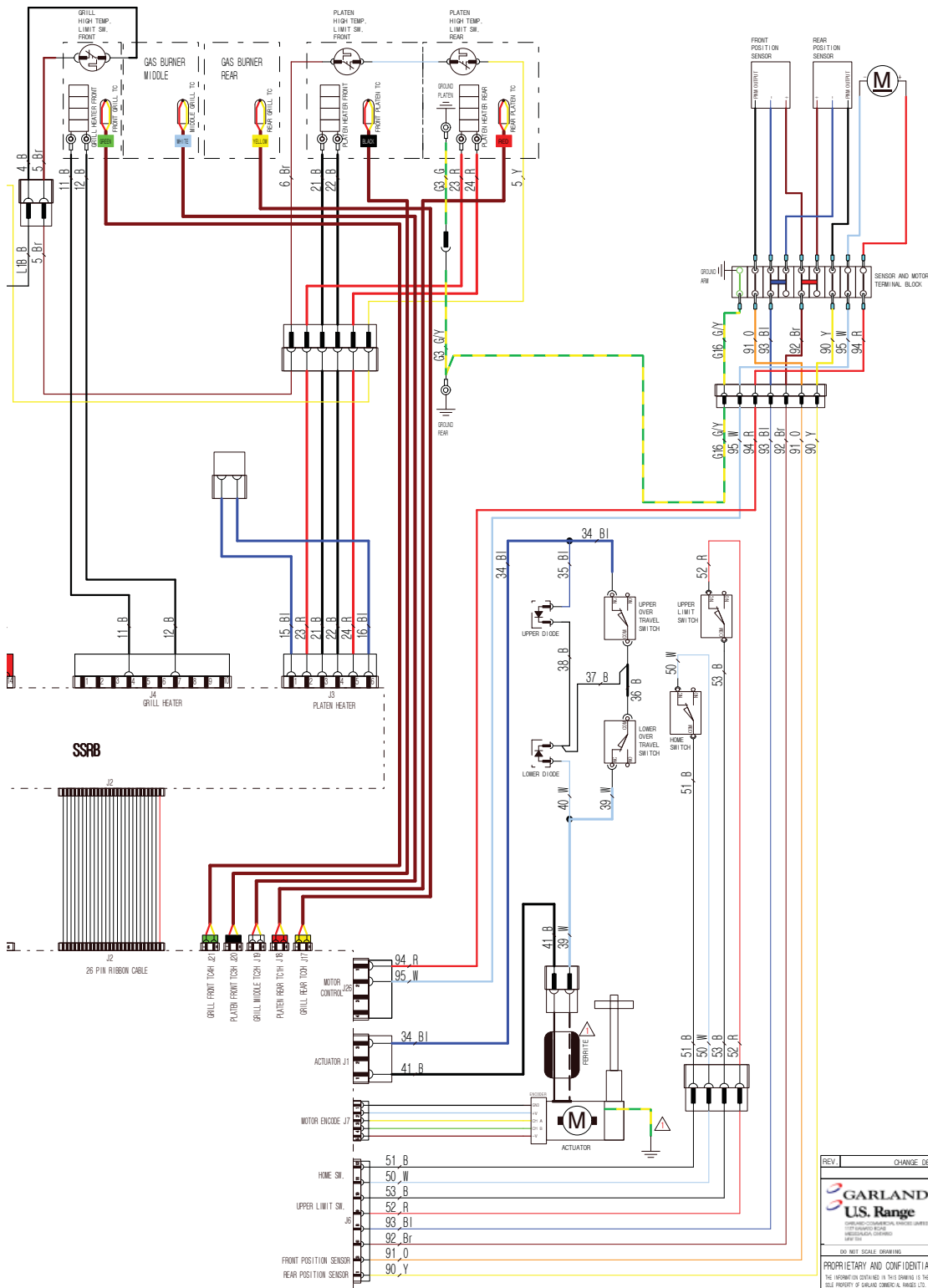
3 PLATEN GAS - MG36 WYE (4532849) - CONTINUATION



3 PLATEN GAS - MG36 WYE (4532849) - CONTINUATION

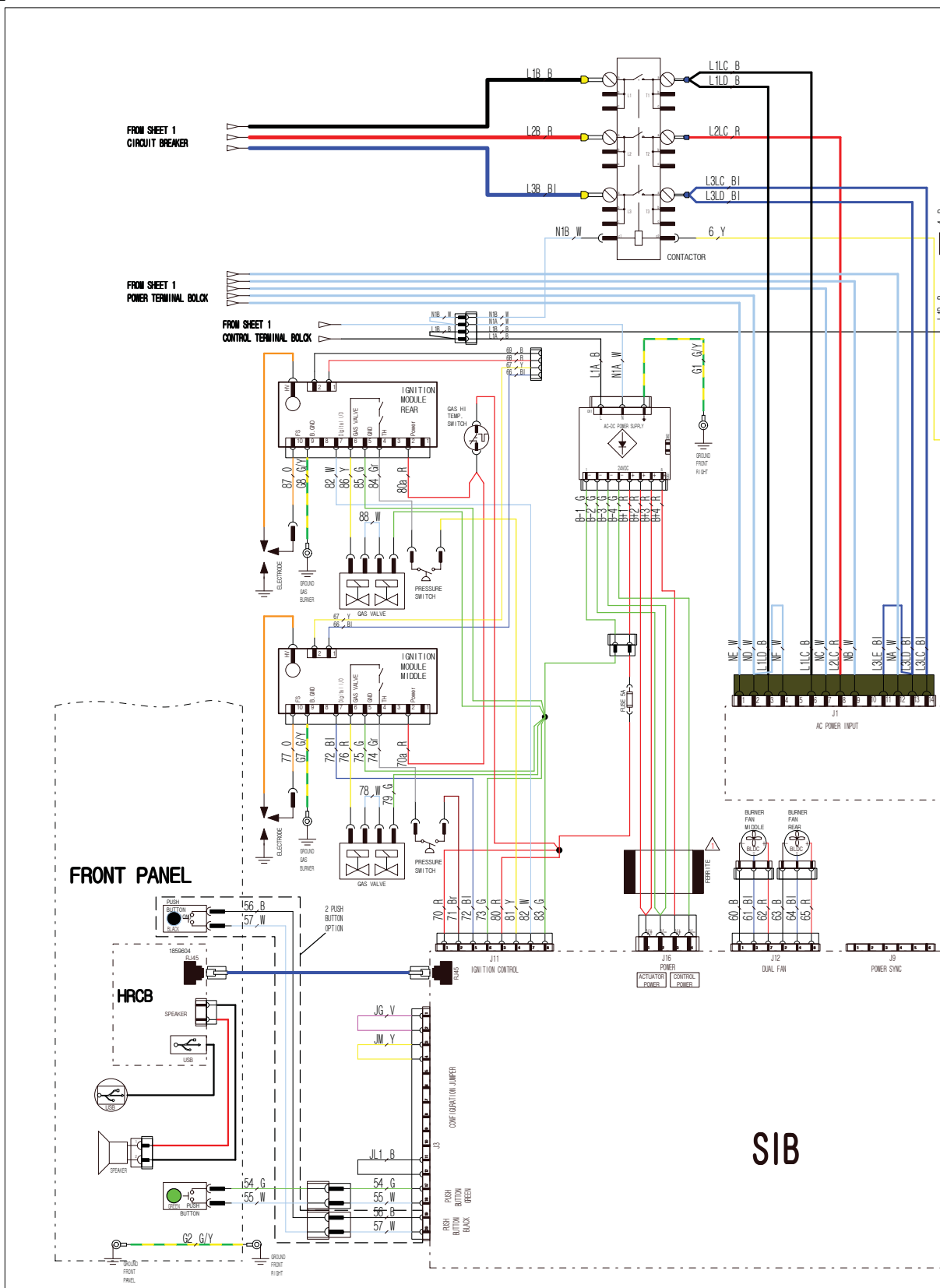
MIDDLE LANE

Wire Color Table	
B=Black	P=Pink
Bl=Blue	R=Red
Br=Brown	V=Violet
G=Green	Y=Yellow
Gr=Gray	W=White
O=Orange	



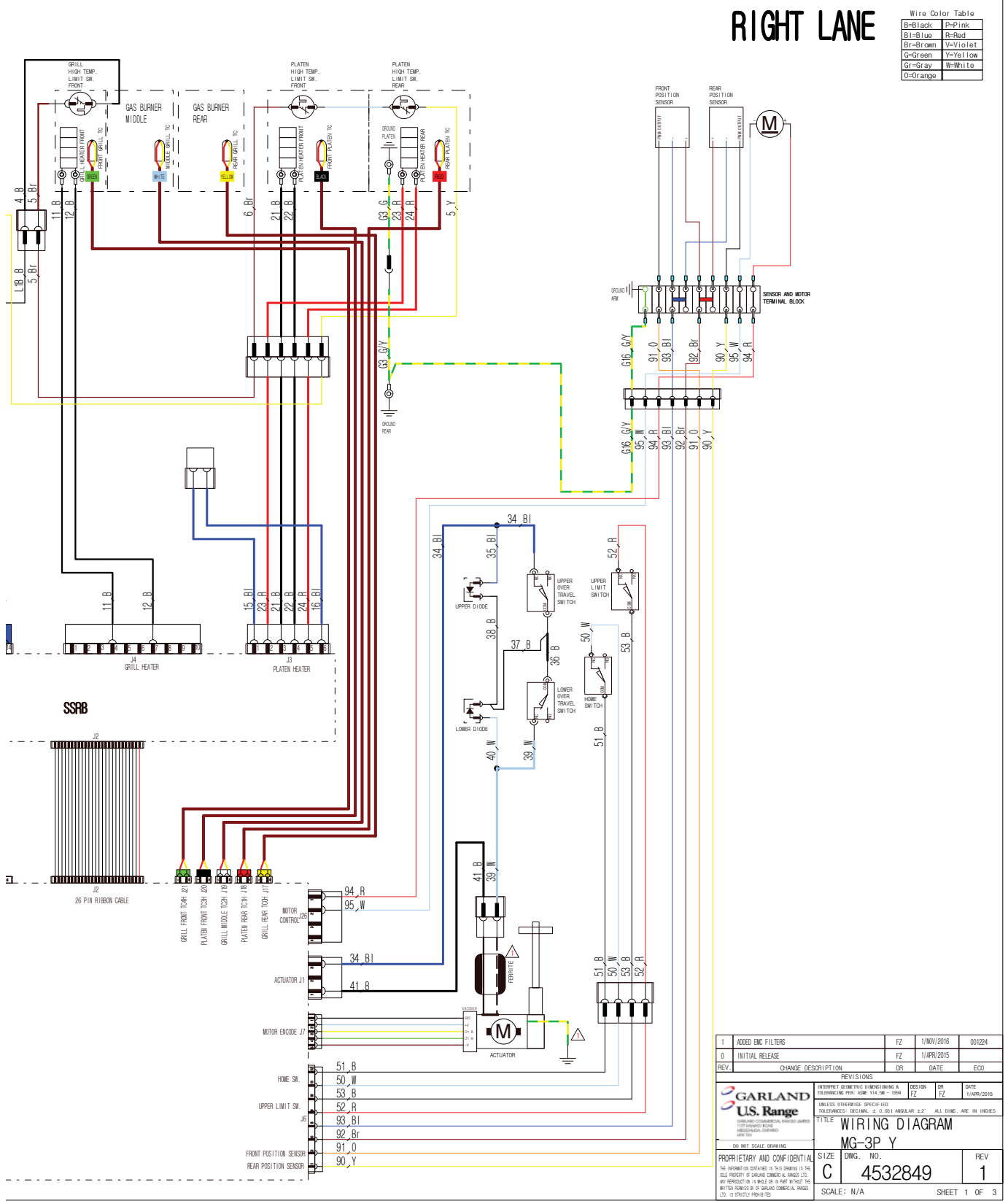
REV	CHANGE DESCRIPTION	DR	DATE	ECO
REVISIONS				
	INTERPRET DIMENSIONING & TOLERANCING PER: ASME Y14.5M - 1994	DESIGN	DR	DATE
	UNLESS OTHERWISE SPECIFIED	TZ	TZ	1/APR/2015
TOLERANCES: DECIMAL - ± 0.001 ANGULAR ± 2° ALL DIMS. ARE IN INCHES				
DO NOT SCALE DRAWING				
TITLE: WIRING DIAGRAM MG-3P Y				
PROPRIETARY AND CONFIDENTIAL THE INFORMATION CONTAINED IN THIS DRAWING IS THE SOLE PROPERTY OF GARLAND COMMERCIAL RANGE CO. ANY REPRODUCTION IN WHOLE OR IN PART WITHOUT THE WRITTEN PERMISSION OF GARLAND COMMERCIAL RANGE CO. IS STRICTLY PROHIBITED.		SIZE: C DWG. NO.: 4532849	REV: 1	SCALE: N/A SHEET 2 OF 3

3 PLATEN GAS - MG36 WYE (4532849) - CONTINUATION





3 PLATEN GAS - MG36 WYE (4532849) - CONTINUATION



### Wiring Diagram - DELTA Models

#### Electrical Schematic Diagrams - All DELTA Models

Electrical schematic diagrams are combined by zones, right, left and middle zones. For 1 platen total of one sheet, 2 platen total of two sheets, 3 platen total of three sheets.

#### McDonald's Electric Models (DELTA connection)

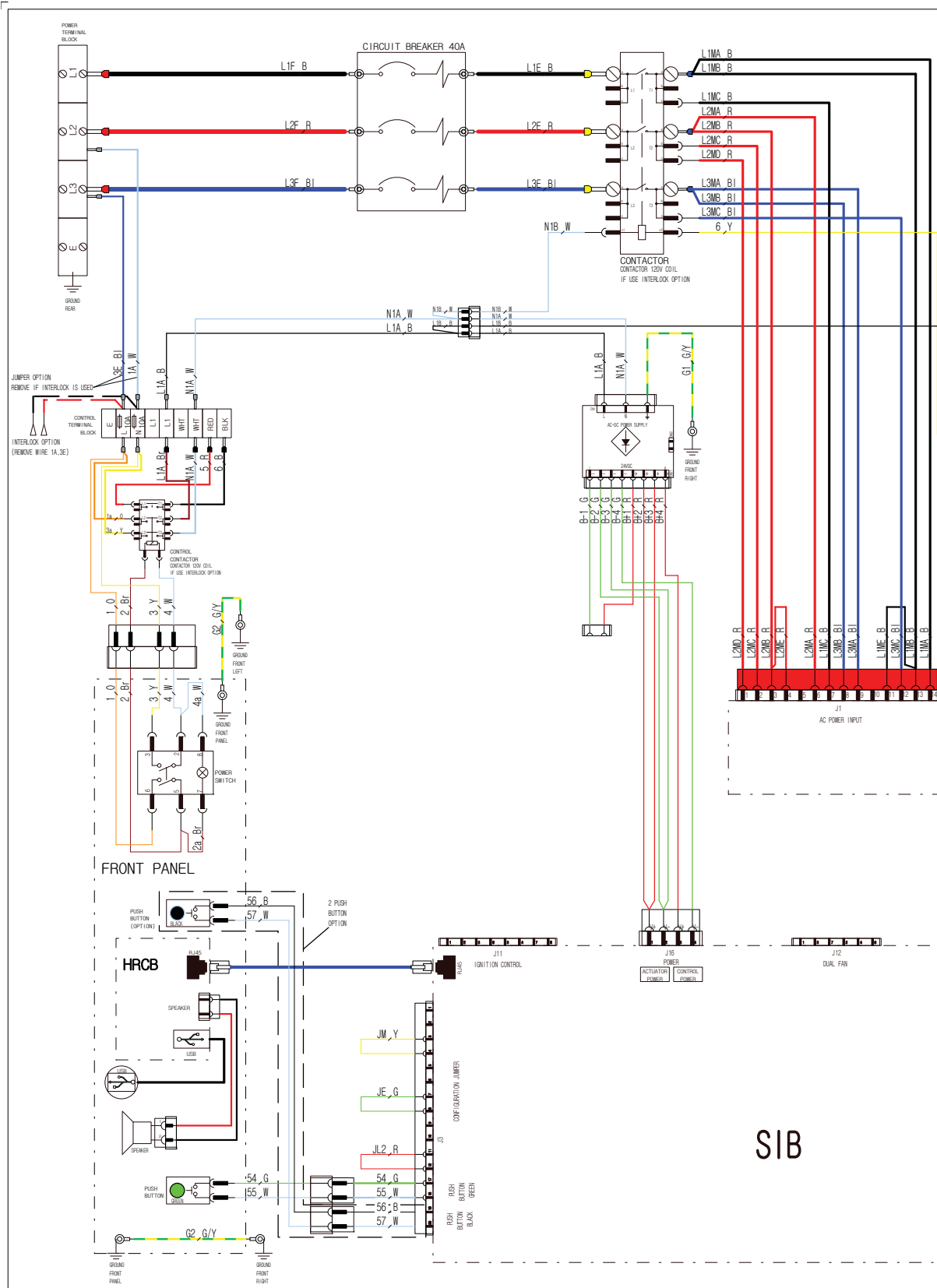
	<b>Part#</b>	<b>Power Cable</b>	<b>Description</b>
1 PLATEN	4532850	1	1 Platen - ME12 WYE
2 PLATEN	4532851	1	2 Platen - ME24 WYE
	4532860	2	
3 PLATEN	4532852	2	3 Platen - ME36 WYE

#### McDonald's Gas Models (DELTA connection)

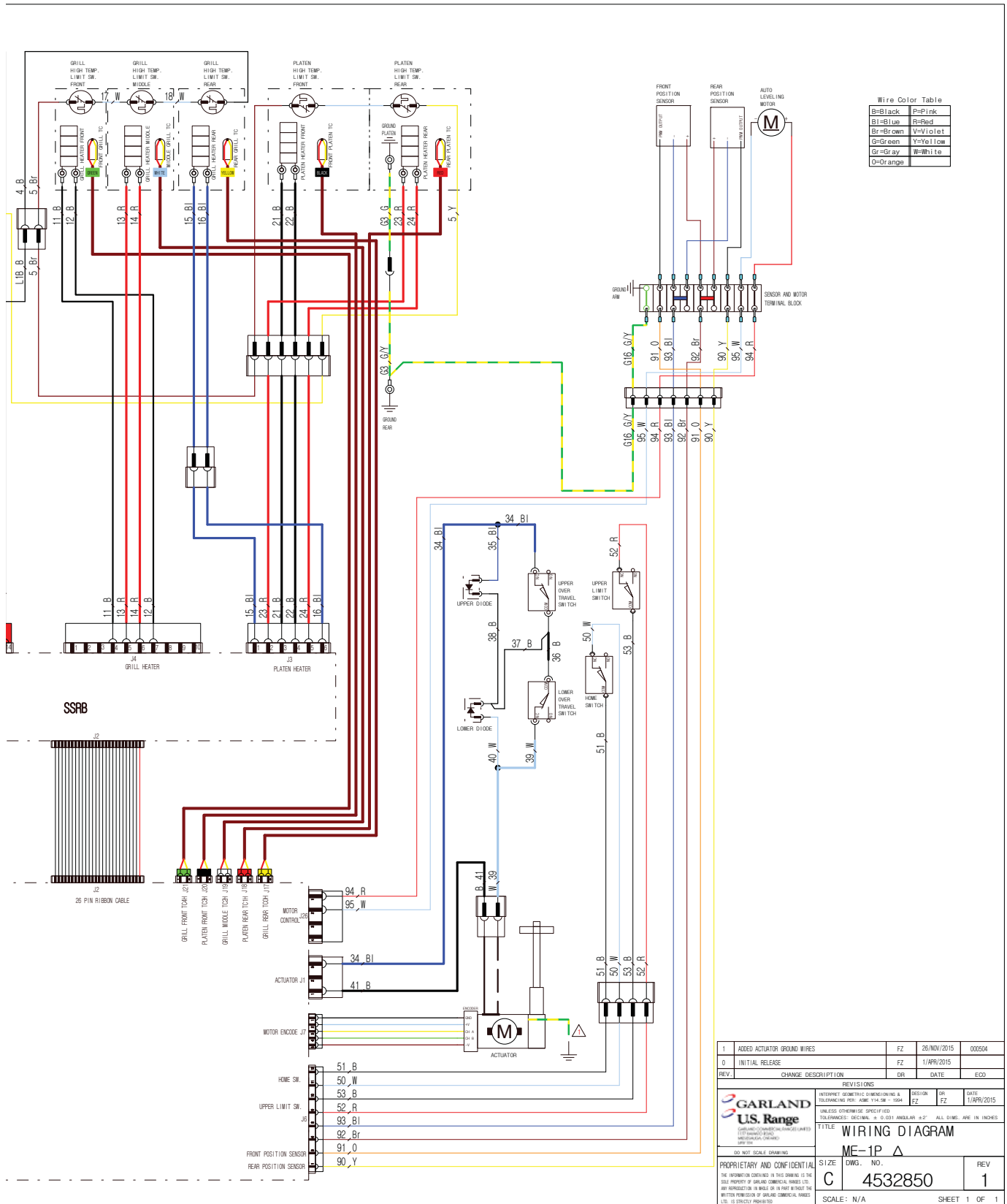
	<b>Part#</b>	<b>Power Cable</b>	<b>Description</b>
1 PLATEN	4532853	1	1 Platen - MG12 WYE
2 PLATEN	4532854	1	2 Platen - MG24 WYE
3 PLATEN	4532855	1	3 Platen - MG36 WYE
	4602716	2	



1 PLATEN ELECTRIC - ME12 DELTA (4532850)

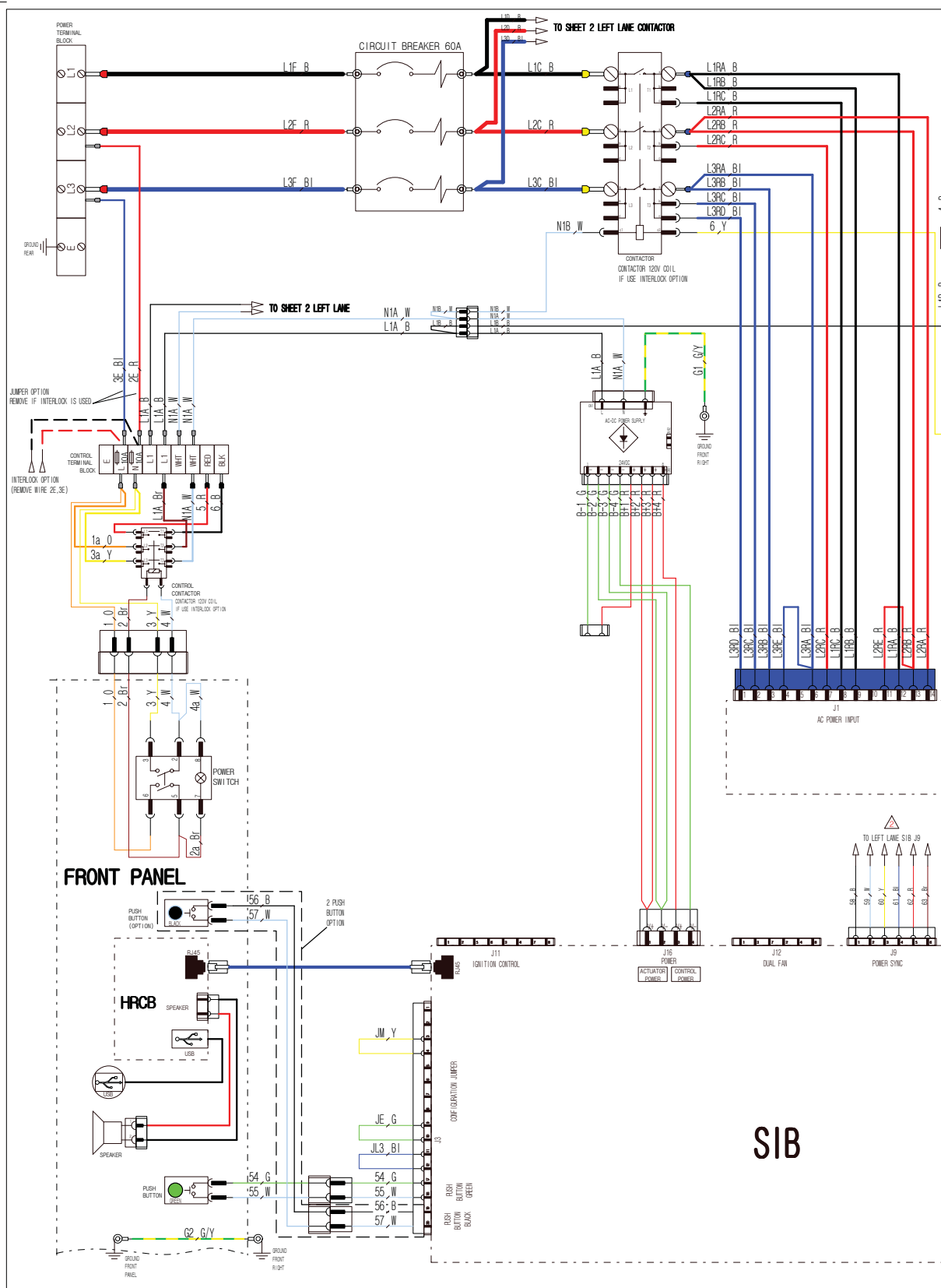


1 PLATEN ELECTRIC - ME12 DELTA (4532850) - CONTINUATION

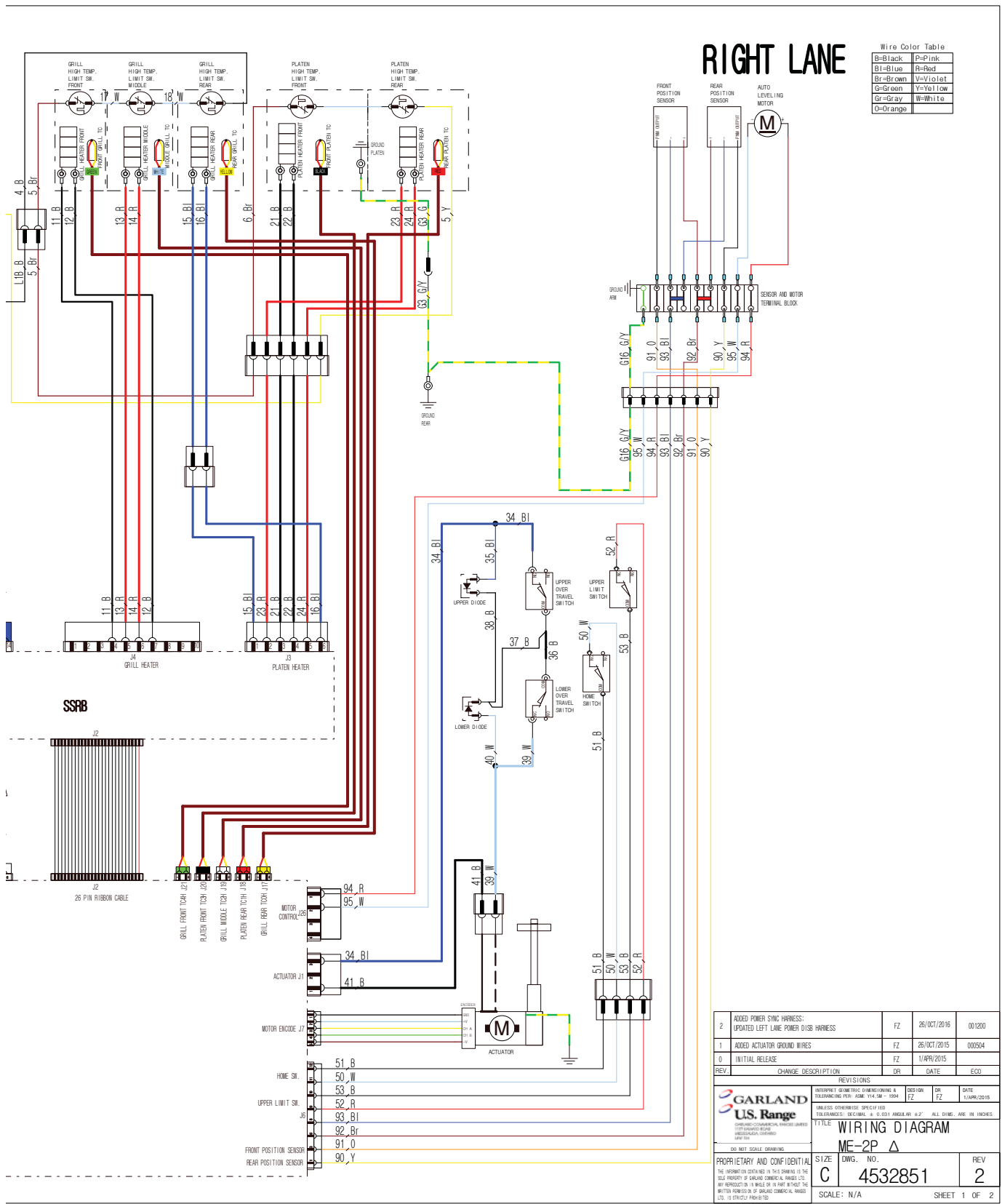


1	ADDED ACTUATOR GROUND WIRES	FZ	26/NOV/2015	000504
0	INITIAL RELEASE	FZ	1/APR/2015	
REV	CHANGE DESCRIPTION	DR	DATE	ECO
REVISIONS				
INTERNET GEOMETRIC DIMENSIONING & TOLERANCING PER: ASME Y14.5M - 2009		DESIGN	DR	DATE
UNLESS OTHERWISE SPECIFIED TOLERANCES: DECIMAL - ± 0.003 ANGULAR ± 2° ALL DIMS. ARE IN INCHES		FZ	FZ	1/APR/2015
		TITLE: WIRING DIAGRAM ME-1P_Δ		
PROPRIETARY AND CONFIDENTIAL THE INFORMATION CONTAINED IN THIS DRAWING IS THE SOLE PROPERTY OF GARLAND COMMERCIAL VAPORS LTD. ANY REPRODUCTION IN WHOLE OR IN PART WITHOUT THE WRITTEN PERMISSION OF GARLAND COMMERCIAL VAPORS LTD. IS STRICTLY PROHIBITED.		SIZE: C DWG. NO.: 4532850	REV: 1	SCALE: N/A SHEET 1 OF 1

2 PLATEN ELECTRIC - ME24 DELTA (4532851)

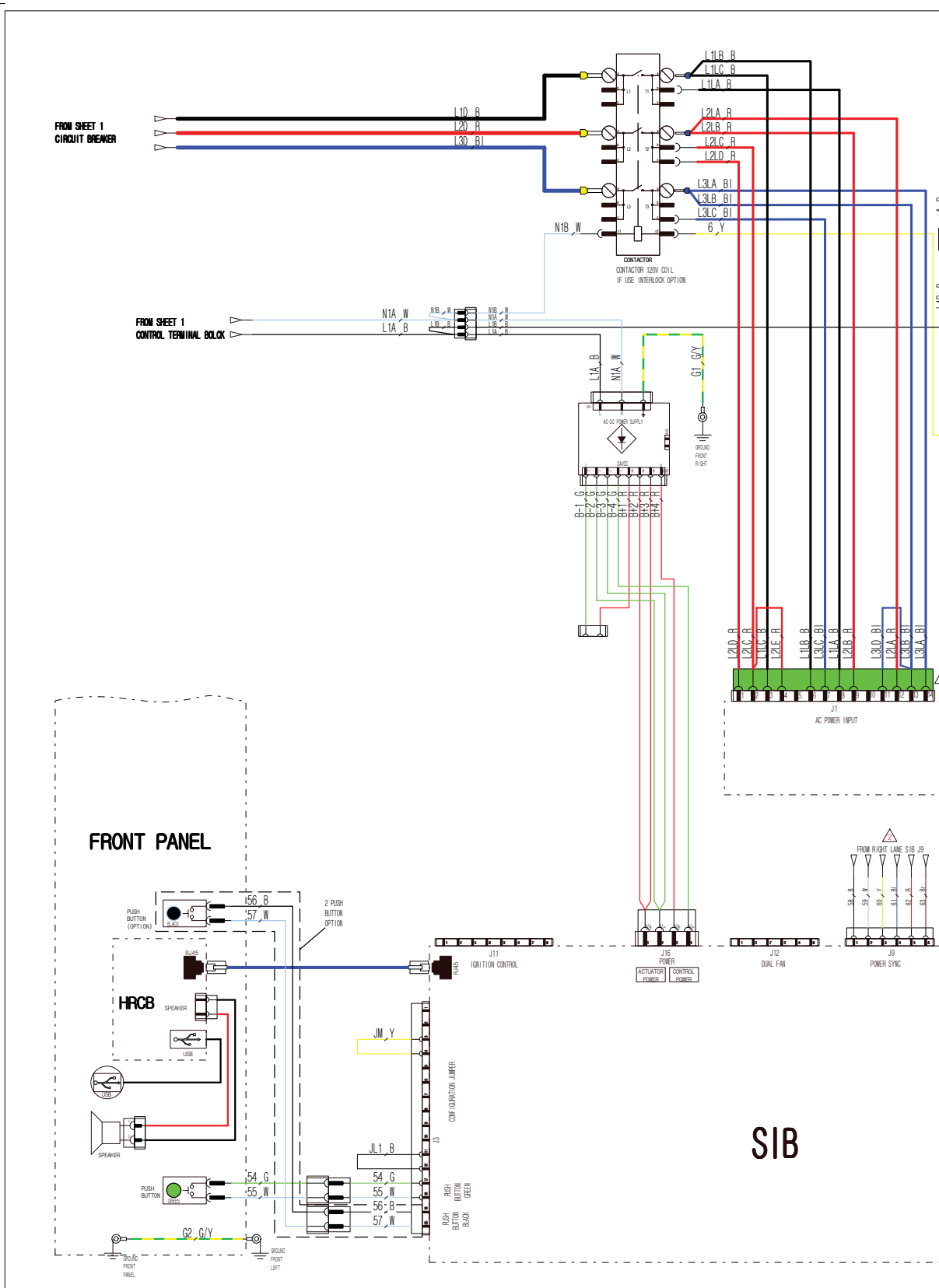


2 PLATEN ELECTRIC - ME24 DELTA (4532851) - CONTINUATION



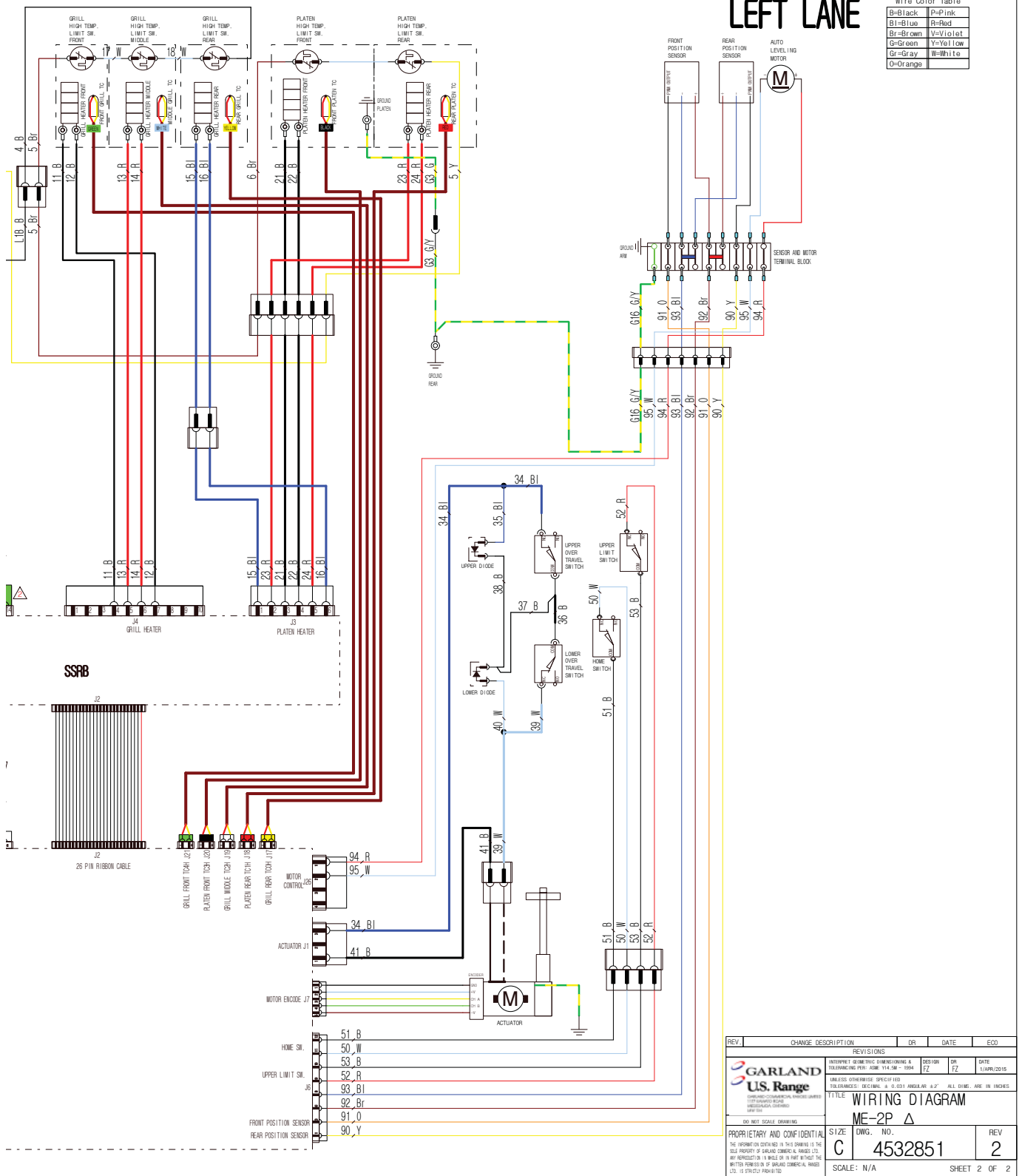
2	ADDED POWER SYNC HARNESS; UPDATED LEFT LANE POWER DISB HARNESS	FZ	26/10/2016	001200
1	ADDED ACTUATOR GROUND WIRES	FZ	26/10/2015	000504
0	INITIAL RELEASE	FZ	1/APR/2015	
REV	CHANGE DESCRIPTION	DR	DATE	ECO
REVISIONS				
		DESIGN	DR	DATE
INTERPRET GEOMETRIC DIMENSIONING & TOLERANCING PER: ASME Y14.5M - 1994 UNLESS OTHERWISE SPECIFIED TOLERANCES: DECIMALS - ± 0.003 ANGULAR ± 2° ALL DIMS. ARE IN INCHES		FZ	FZ	1/APR/2015
PROPRIETARY AND CONFIDENTIAL THE INFORMATION CONTAINED IN THIS DRAWING IS THE SOLE PROPERTY OF GARLAND COMMERCIAL RANGE LTD. ANY REPRODUCTION IN WHOLE OR IN PART WITHOUT THE WRITTEN PERMISSION OF GARLAND COMMERCIAL RANGE LTD. IS STRICTLY PROHIBITED.		TITLE <b>WIRING DIAGRAM</b> ME-2P Δ		REV
SIZE	DRG. NO.			
C	4532851			2
SCALE: N/A		SHEET 1 OF 2		

2 PLATEN ELECTRIC - ME24 DELTA (4532851) - CONTINUATION

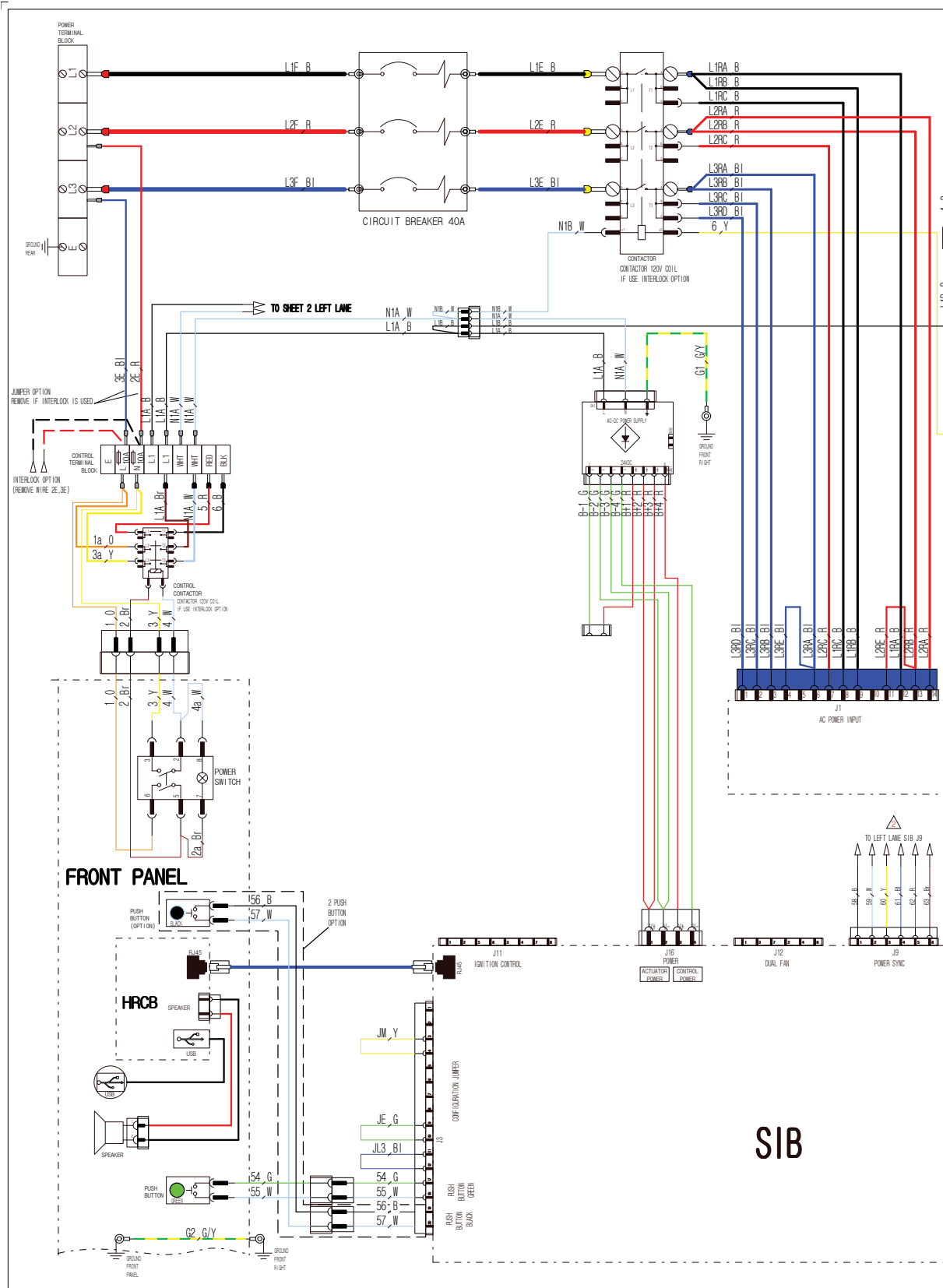




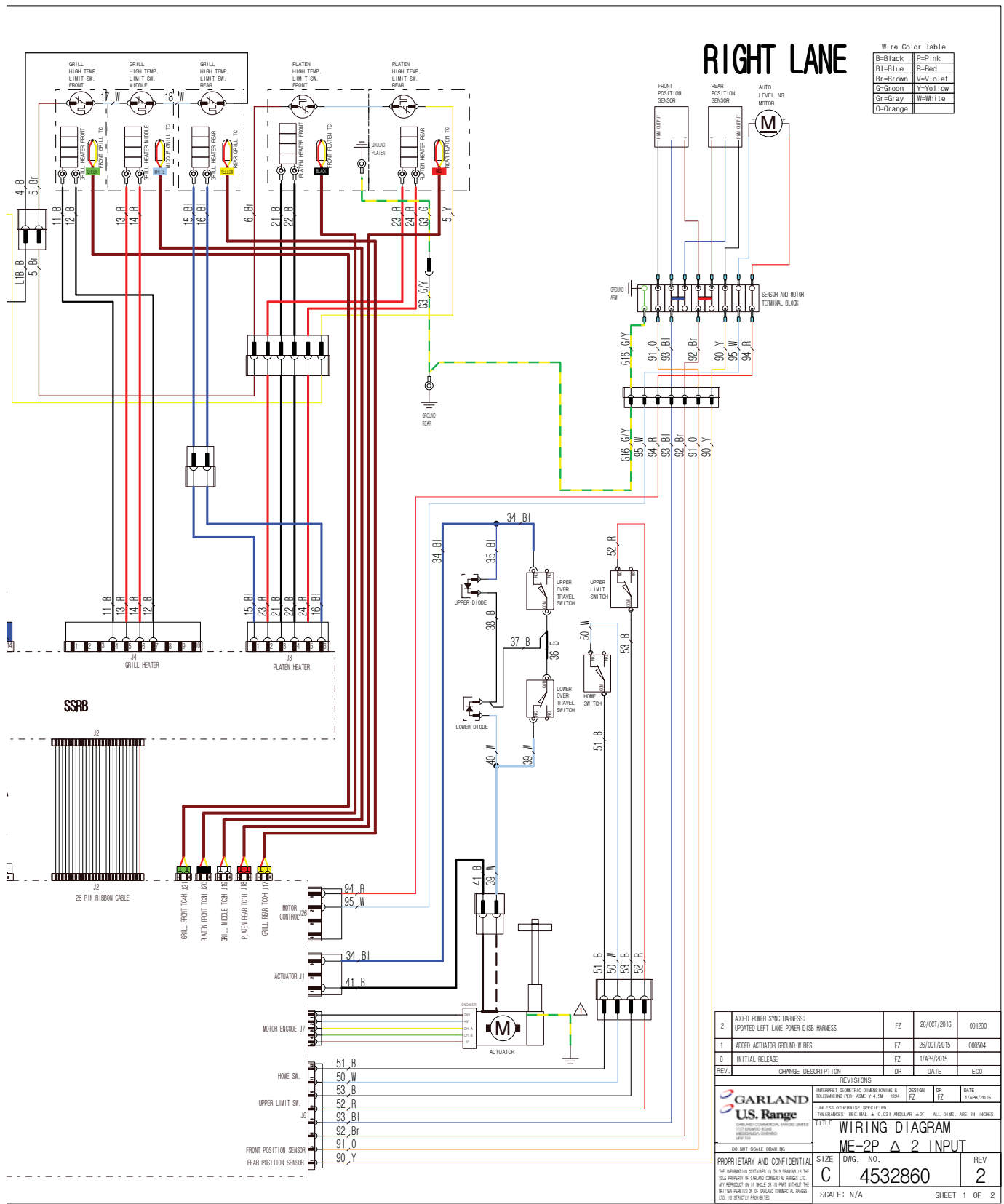
2 PLATEN ELECTRIC - ME24 DELTA (4532851) - CONTINUATION



2 PLATEN ELECTRIC - ME24 DELTA (4532860)



2 PLATEN ELECTRIC - ME24 DELTA (4532860) - CONTINUATION

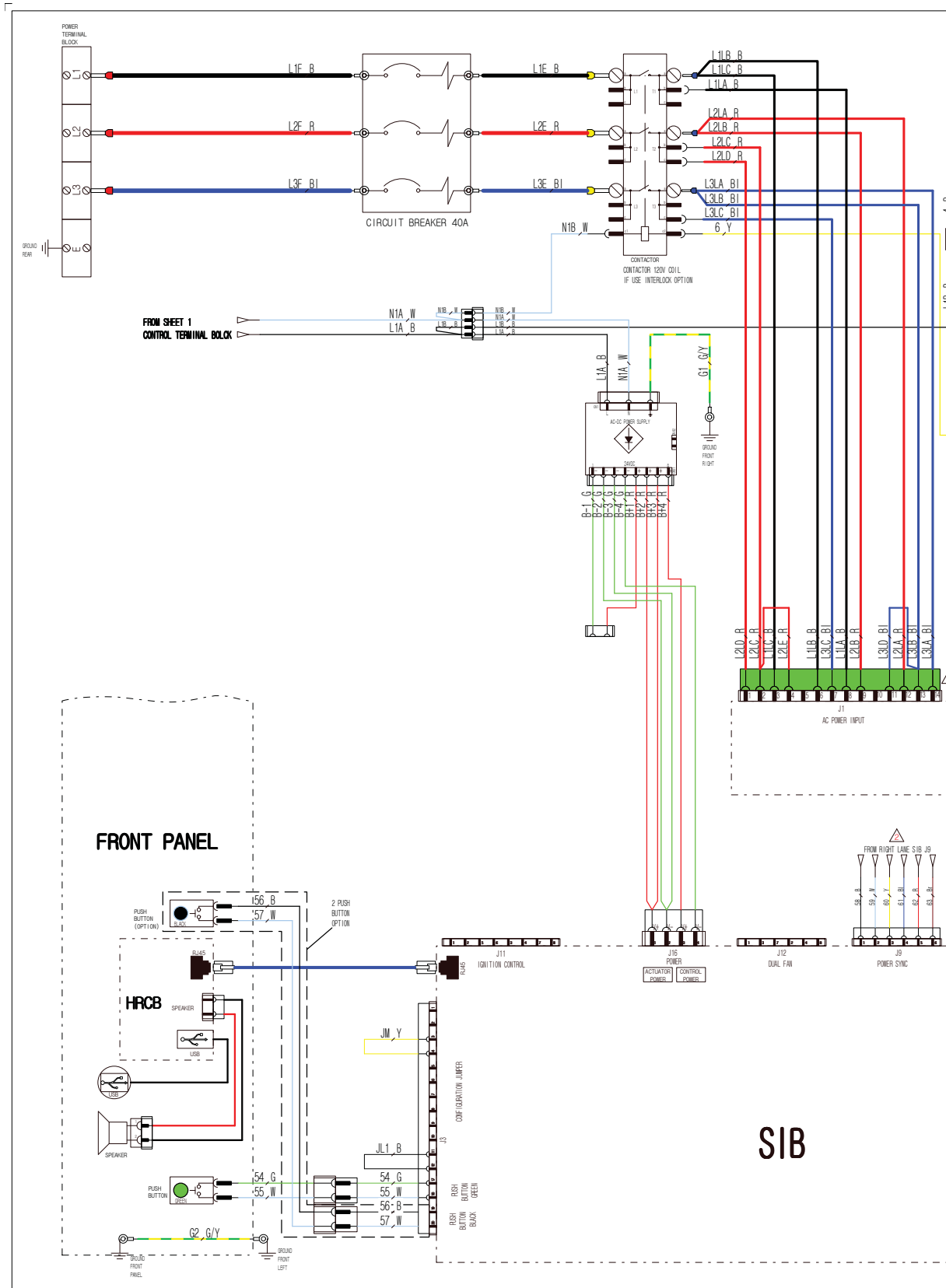


REV	CHANGE DESCRIPTION	DR	DATE	ECO
2	ADDED POWER SYNC HARNESS; UPDATED LEFT LANE POWER DISB HARNESS	FZ	26/OCT/2016	001200
1	ADDED ACTUATOR GROUND WIRES	FZ	26/OCT/2015	000504
0	INITIAL RELEASE	FZ	1/APR/2015	

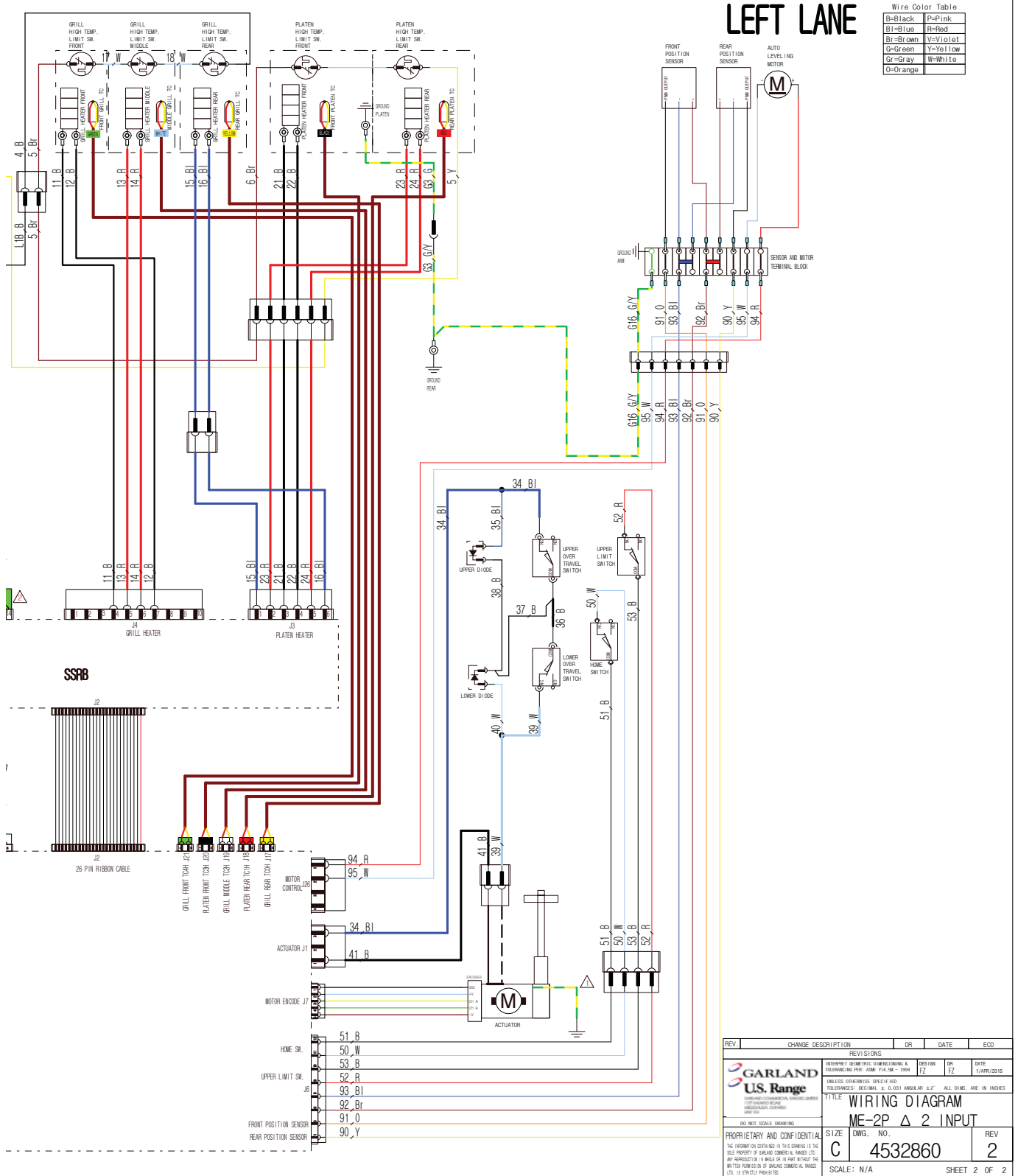
REVISIONS			
INTERPRET	DESIGN	DR	DATE
FZ	FZ	FZ	1/APR/2015

<b>GARLAND U.S. Range</b>		TITLE <b>WIRING DIAGRAM</b>	
PROPRIETARY AND CONFIDENTIAL		ME-2P Δ 2 INPUT	
SIZE <b>C</b>	DWG. NO. <b>4532860</b>	REV <b>2</b>	SCALE: N/A

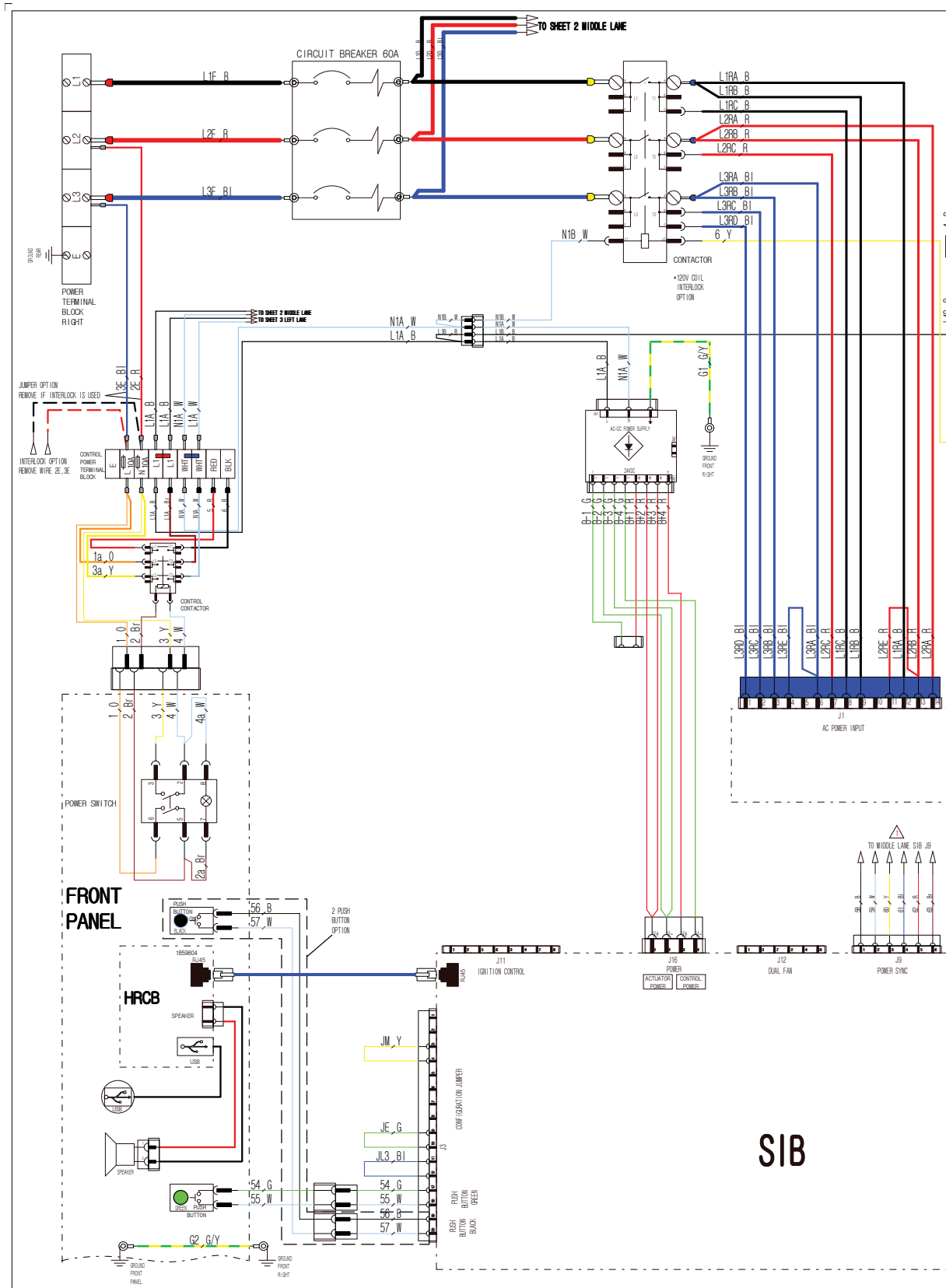
2 PLATEN ELECTRIC - ME24 DELTA (4532860) - CONTINUATION



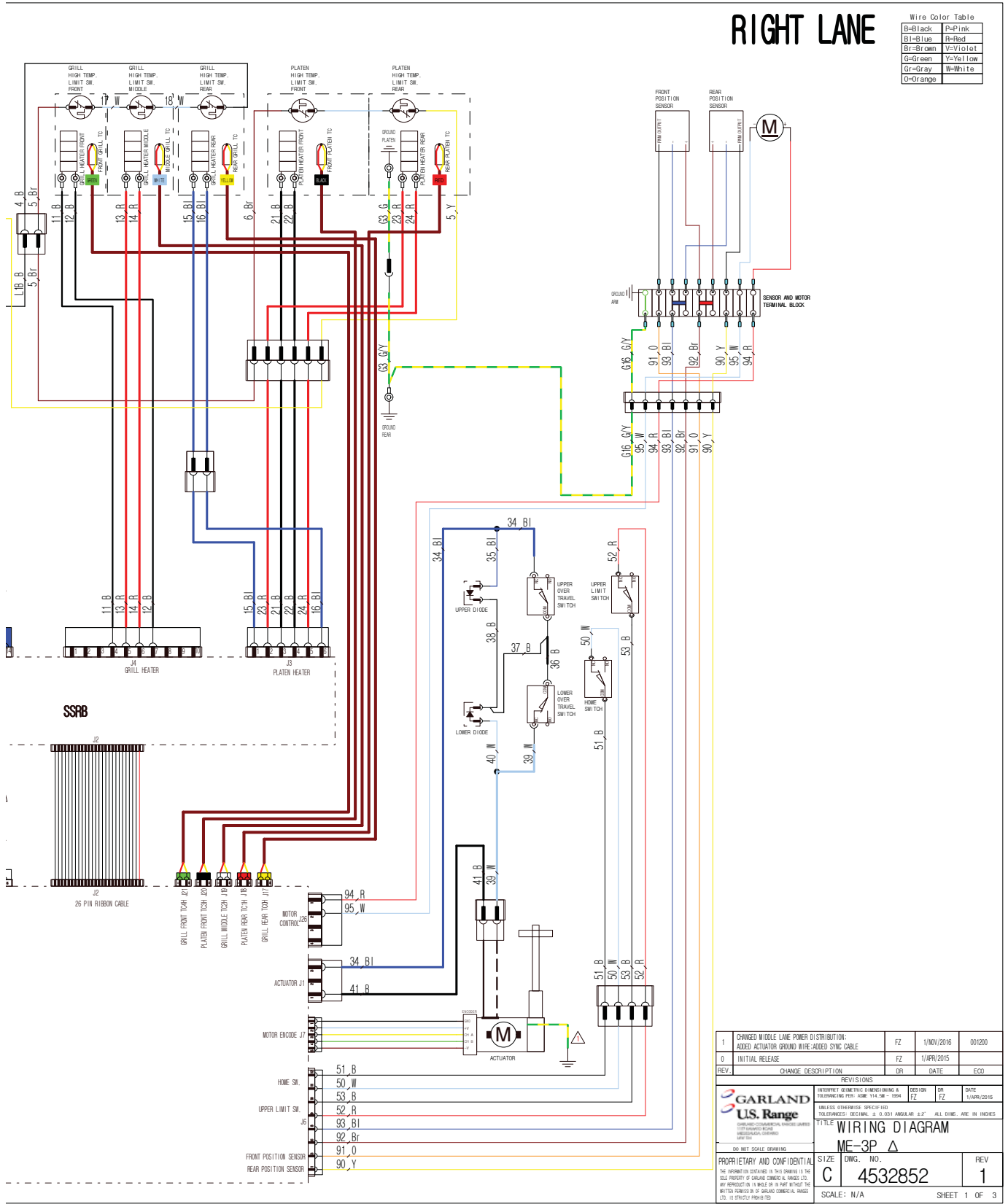
2 PLATEN ELECTRIC - ME24 DELTA (4532860) - CONTINUATION



3 PLATEN ELECTRIC - ME36 DELTA (4532852)

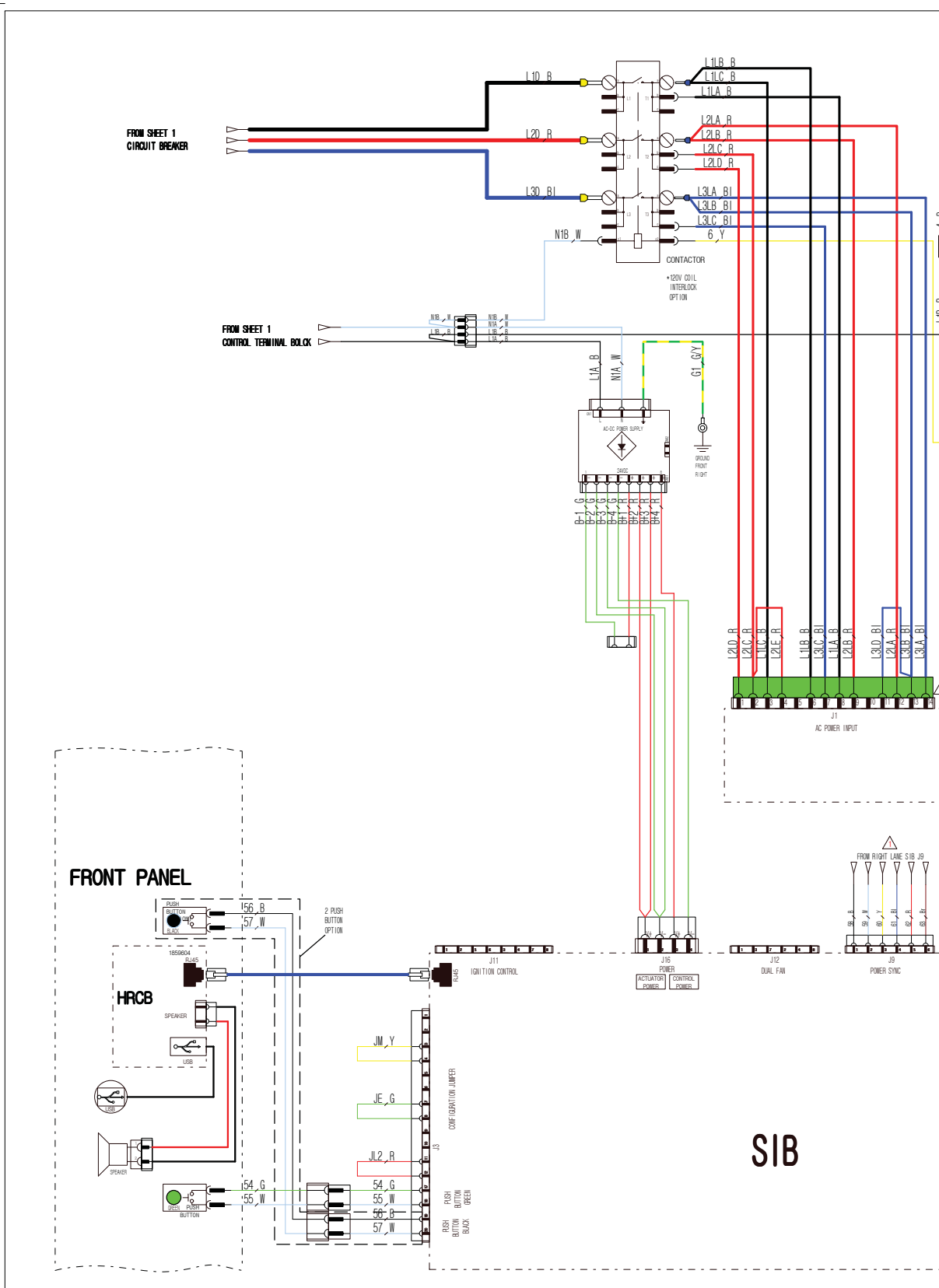


3 PLATEN ELECTRIC - ME36 DELTA (4532852) - CONTINUATION



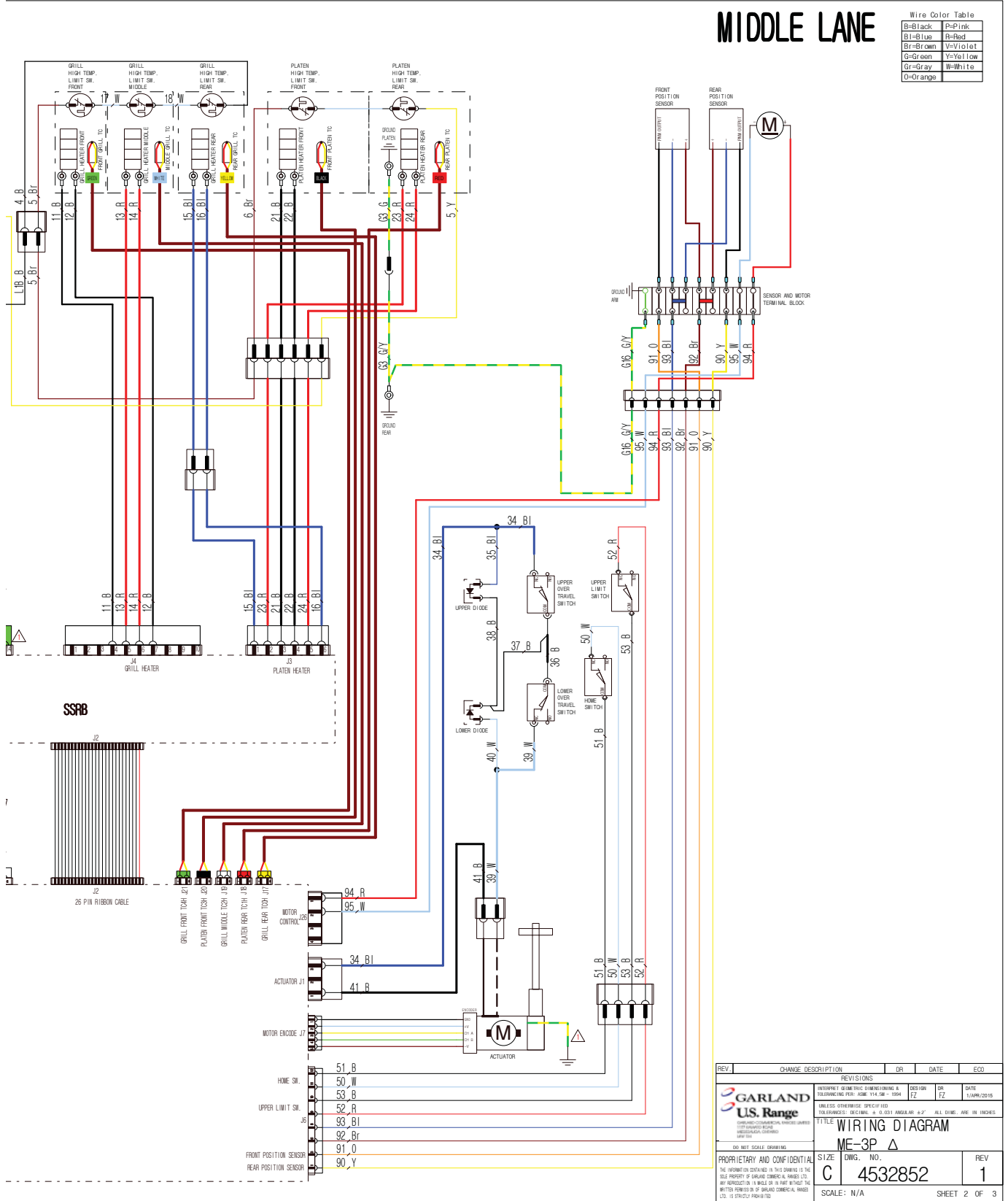
1	CHANGED MIDDLE LANE POWER DISTRIBUTION; ADDED ACTUATOR GROUND WIRE-ADDED SYNC CABLE	FZ	1/NOV/2016	001200
0	INITIAL RELEASE	FZ	1/APR/2015	
REV	CHANGE DESCRIPTION	DR	DATE	ECO
REVISIONS				
		DESIGN FZ	DR	DATE 1/APR/2015
GARLAND COMMERCIAL PRODUCTS DIVISION 10000 W. 10TH AVE. MINNEAPOLIS, MN 55428		INTERPRET DIMENSIONS DIMENSIONING & TOLERANCING PER: ASME Y14.5M - 1994 UNLESS OTHERWISE SPECIFIED TOLERANCES: DECIMAL - ± 0.001 ANGULAR ± 2° ALL DIMS. ARE IN INCHES		
TITLE: <b>WIRING DIAGRAM</b> ME-3P Δ				
PROPRIETARY AND CONFIDENTIAL THE INFORMATION CONTAINED IN THIS DRAWING IS THE SOLE PROPERTY OF GARLAND COMMERCIAL PRODUCTS DIVISION. ANY REPRODUCTION IN WHOLE OR IN PART WITHOUT THE WRITTEN PERMISSION OF GARLAND COMMERCIAL PRODUCTS DIVISION IS STRICTLY PROHIBITED.		SIZE: <b>C</b> DWG. NO.: <b>4532852</b>	REV: <b>1</b>	SCALE: N/A SHEET 1 OF 3

3 PLATEN ELECTRIC - ME36 DELTA (4532852) - CONTINUATION





3 PLATEN ELECTRIC - ME36 DELTA (4532852) - CONTINUATION



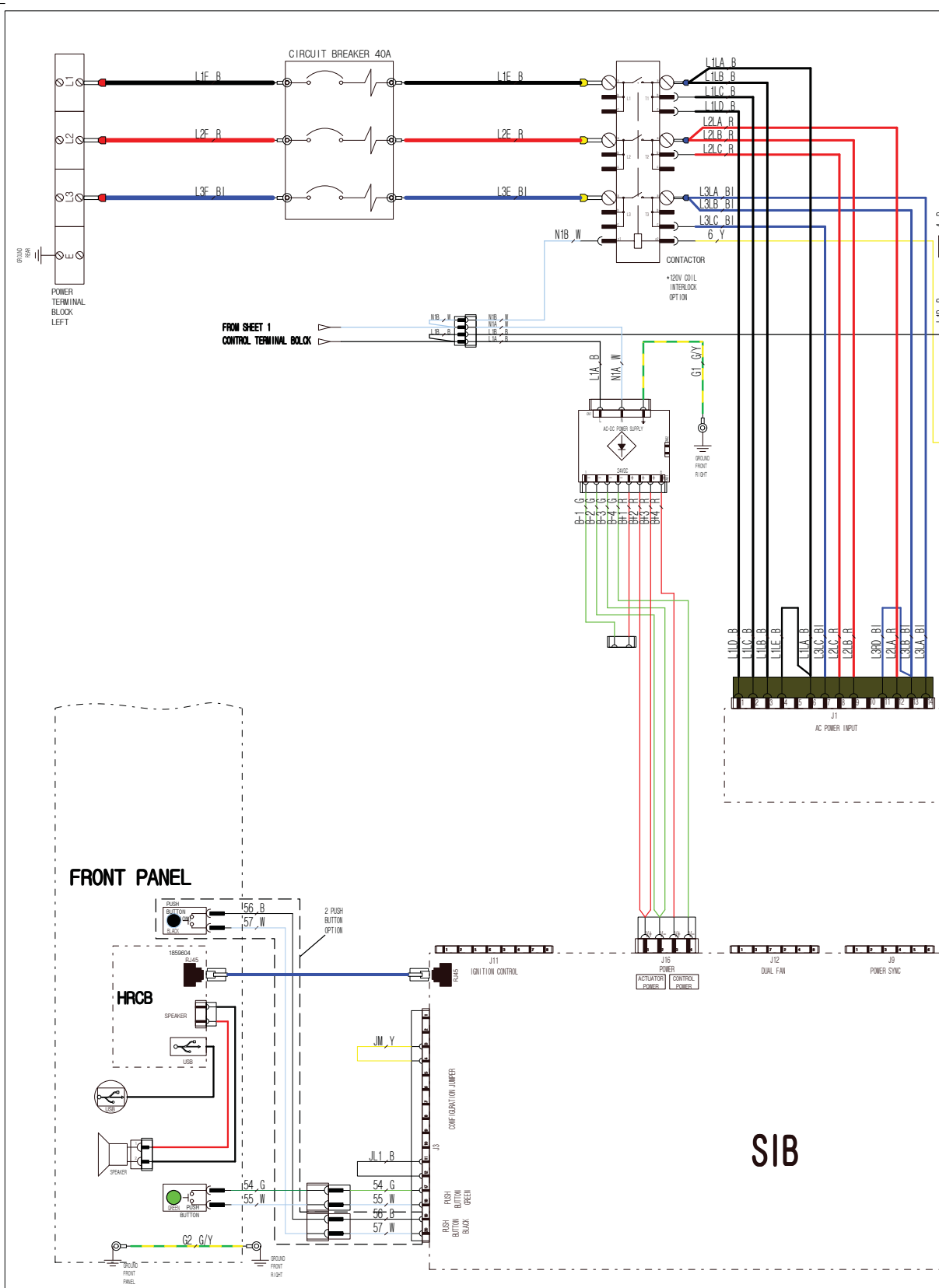
REV	CHANGE DESCRIPTION	DR	DATE	ECO
1	WIRING DIAGRAM	TZ	1/APR/2015	

**PROPRIETARY AND CONFIDENTIAL**  
 UNLESS OTHERWISE SPECIFIED, THE INFORMATION CONTAINED IN THIS DRAWING IS THE SOLE PROPERTY OF GARLAND COMMERCIAL RANGES LTD. ANY REPRODUCTION IN WHOLE OR IN PART WITHOUT THE WRITTEN PERMISSION OF GARLAND COMMERCIAL RANGES LTD. IS STRICTLY PROHIBITED.

SIZE	DWG. NO.	REV
C	4532852	1

SCALE: N/A SHEET 2 OF 3

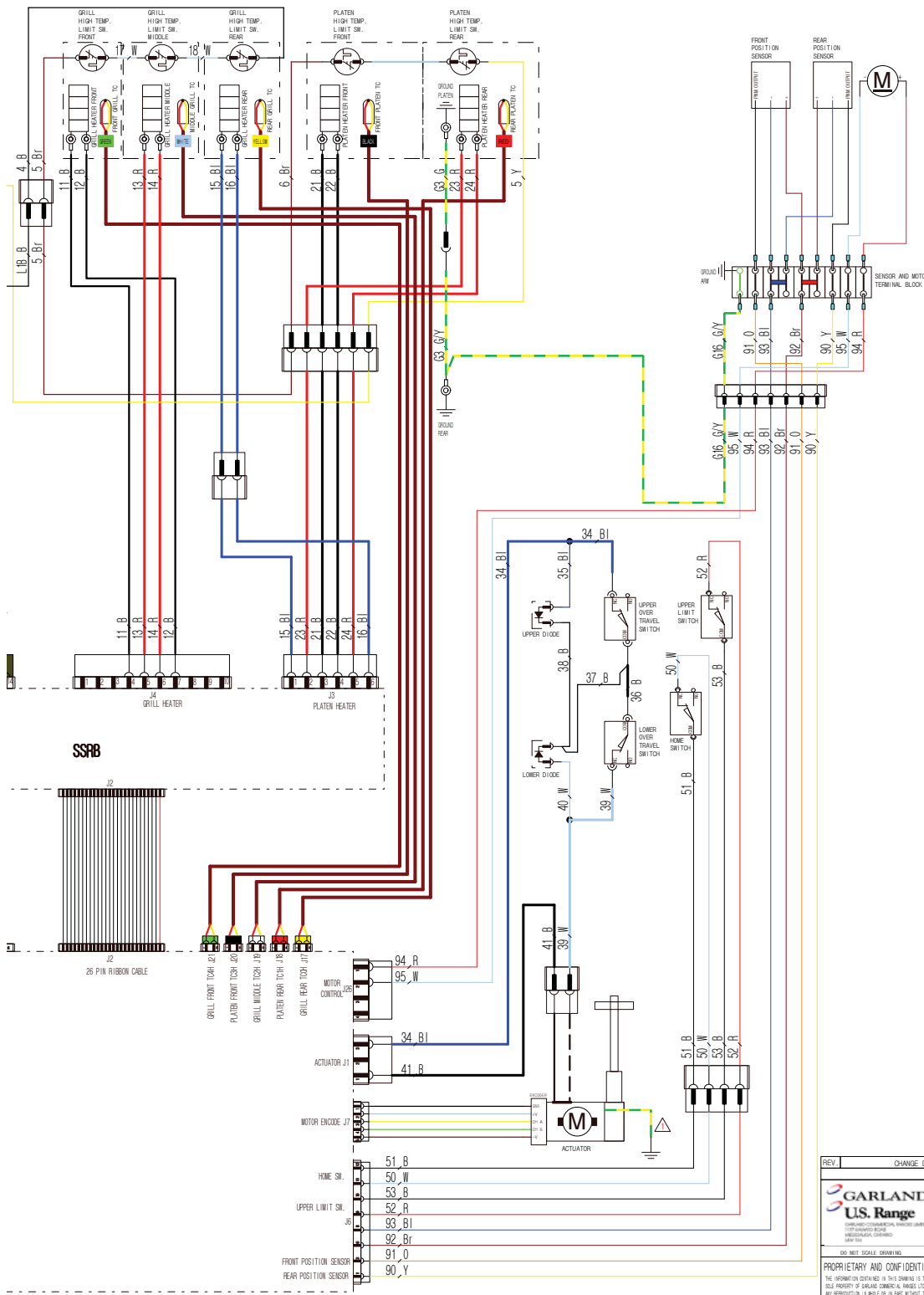
3 PLATEN ELECTRIC - ME36 DELTA (4532852) - CONTINUATION



3 PLATEN ELECTRIC - ME36 DELTA (4532852) - CONTINUATION

LEFT LANE

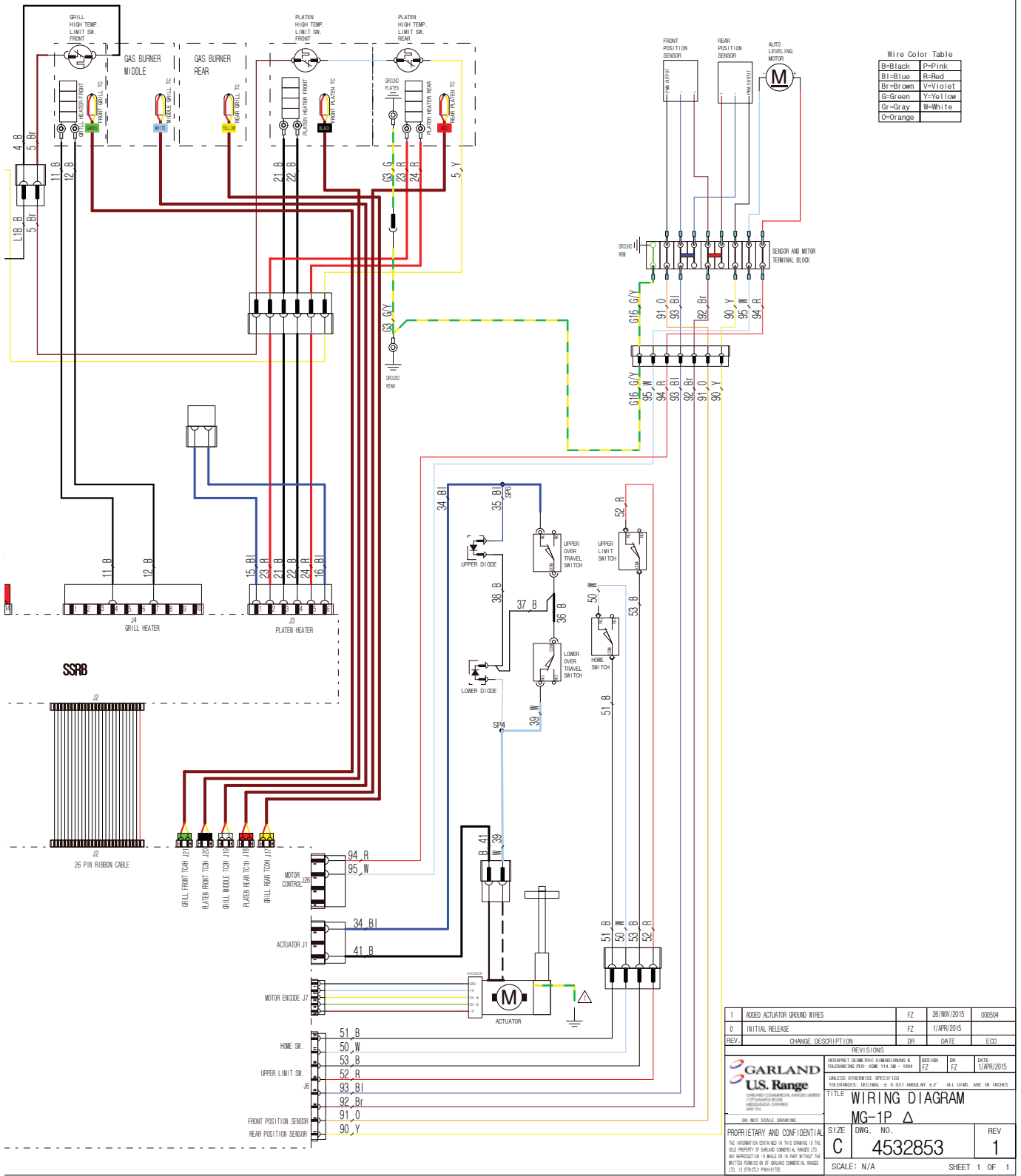
Wire Color Table	
B=Black	P=Pink
Bl=Blue	R=Red
Br=Brown	V=Violet
G=Green	Y=Yellow
Gr=Gray	W=White
O=Orange	



REV	CHANGE DESCRIPTION	DR	DATE	ECO										
<table border="1"> <thead> <tr> <th colspan="5">REVISIONS</th> </tr> </thead> <tbody> <tr> <td>1</td> <td>INITIAL DESIGN AND DRAWING &amp; FABRICATING PER: ASME 194.5M - 1994</td> <td>SSRB</td> <td>TZ</td> <td>1/APR/2015</td> </tr> </tbody> </table>					REVISIONS					1	INITIAL DESIGN AND DRAWING & FABRICATING PER: ASME 194.5M - 1994	SSRB	TZ	1/APR/2015
REVISIONS														
1	INITIAL DESIGN AND DRAWING & FABRICATING PER: ASME 194.5M - 1994	SSRB	TZ	1/APR/2015										
<p><b>GARLAND US. Range</b></p> <p>UNLESS OTHERWISE SPECIFIED, DIMENSIONS ARE IN INCHES AND DECIMALS THEREOF. ALL DIMENSIONS ARE TO UNLESS OTHERWISE SPECIFIED.</p> <p>TITLE: WIRING DIAGRAM</p> <p>ME-3P Δ</p>														
<p>PROPRIETARY AND CONFIDENTIAL</p> <p>THIS INFORMATION CONTAINED HEREIN IS THE PROPERTY OF GARLAND COMMERCIAL RANGE LTD. ANY REPRODUCTION IN WHOLE OR IN PART WITHOUT THE WRITTEN PERMISSION OF GARLAND COMMERCIAL RANGE LTD. IS STRICTLY PROHIBITED.</p>														
SIZE	DWG. NO.	REV												
C	4532852	1												
SCALE: N/A			SHEET 3 OF 3											

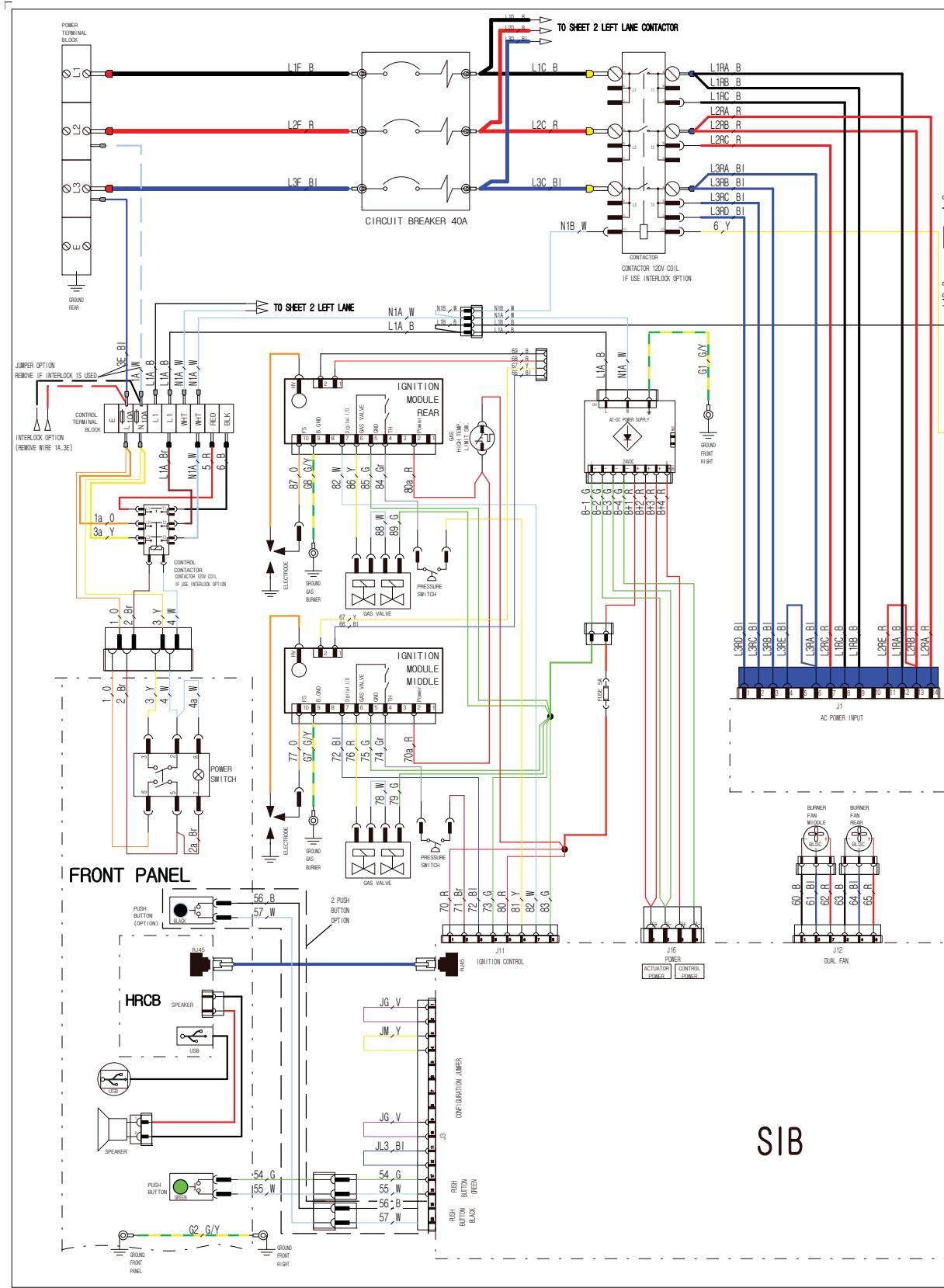


1 PLATEN GAS - MG12 DELTA (4532853) - CONTINUATION

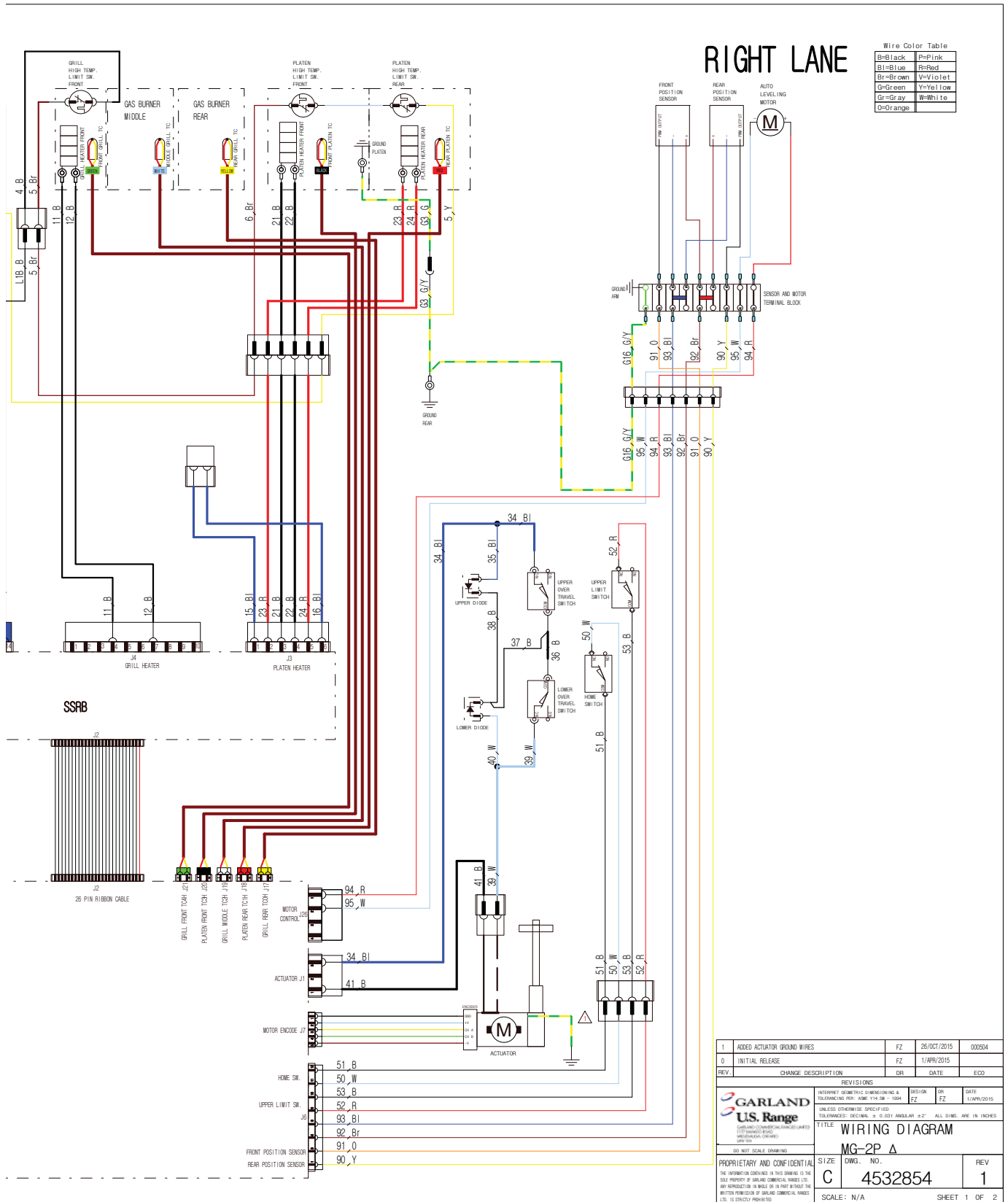


1	ADDED ACTUATOR GROUND WIRES	FZ	26/NOV/2015	000504
0	INITIAL RELEASE	FZ	1/APR/2015	
REV	CHANGE DESCRIPTION	DR	DATE	ECO
REVISIONS				
		DESIGN	DR	DATE
GARLAND COMMERCIAL PRINTERS DIVISION 10000 W. 104TH AVE. OVERLAND PARK, MO 66204 TEL: 816.875.2000 FAX: 816.875.2001 WWW.GARLAND.COM		FZ	FZ	1/APR/2015
TITLE: WIRING DIAGRAM MG-1P Δ				
PROPRIETARY AND CONFIDENTIAL THE INFORMATION CONTAINED IN THIS DRAWING IS THE SOLE PROPERTY OF GARLAND COMMERCIAL PRINTERS DIVISION. ANY REPRODUCTION IN WHOLE OR IN PART WITHOUT THE WRITTEN PERMISSION OF GARLAND COMMERCIAL PRINTERS DIVISION IS STRICTLY PROHIBITED.		SIZE	NO.	REV
DO NOT SCALE DRAWING		C	4532853	1
		SCALE: N/A	SHEET 1 OF 1	

2 PLATEN GAS - MG24 DELTA (4532854)

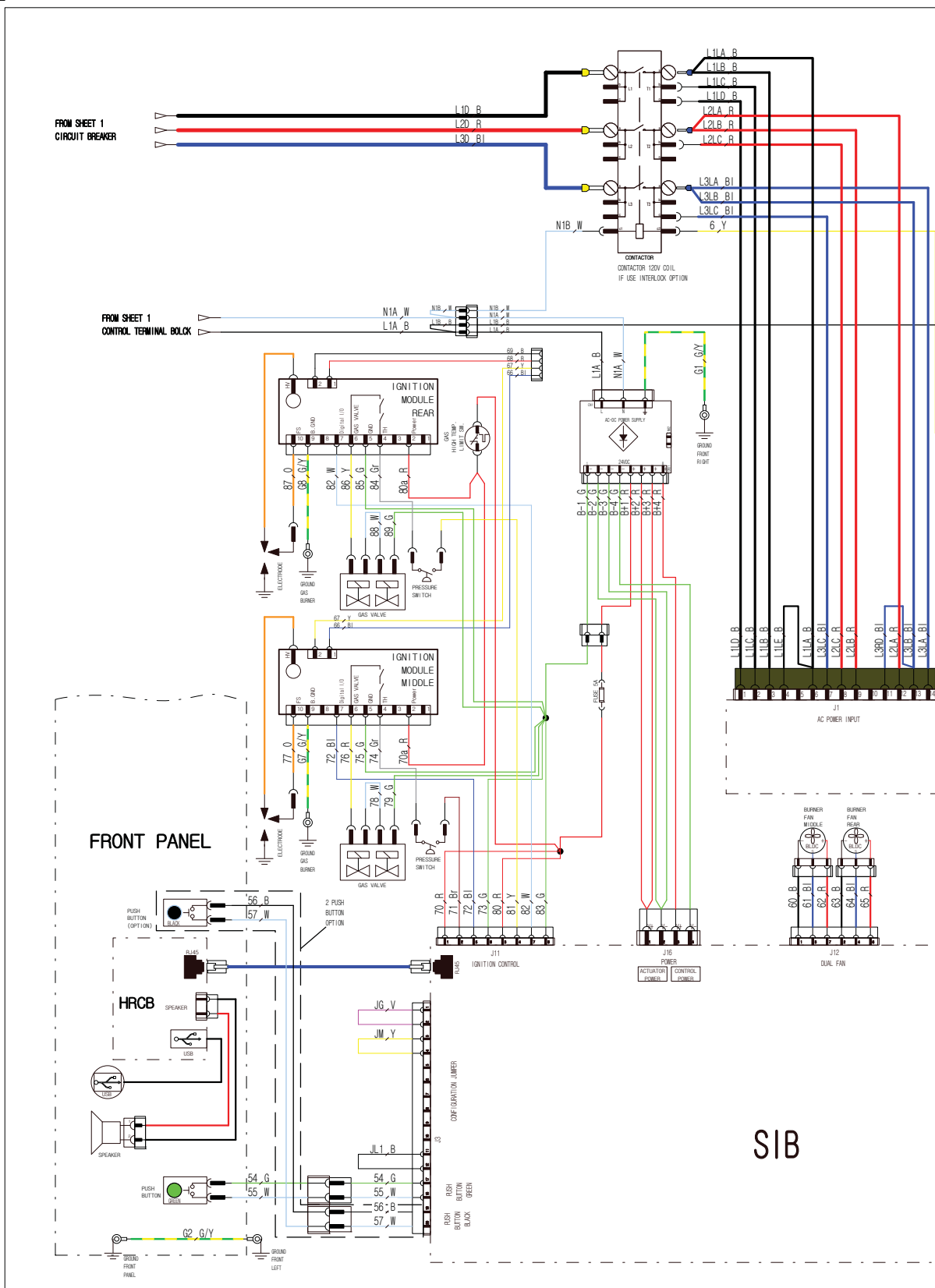


2 PLATEN GAS - MG24 DELTA (4532854) - CONTINUATION



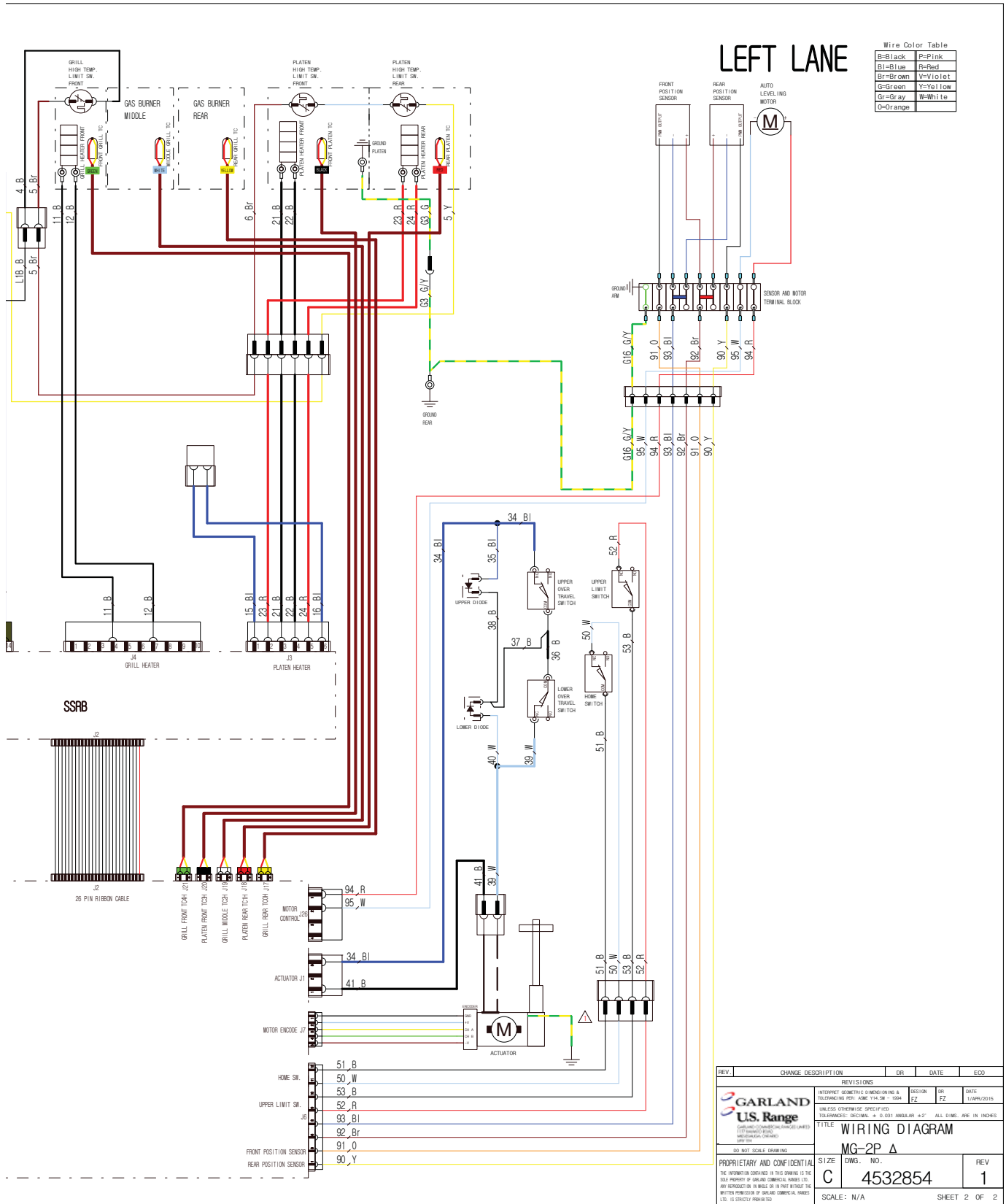
1	ADDED ACTUATOR GROUND WIRES	FZ	26/OCT/2015	000504
0	INITIAL RELEASE	FZ	1/APR/2015	
REV	CHANGE DESCRIPTION	DR	DATE	ECO
REVISIONS				
INTERNET GEOMETRIC DIMENSIONING & TOLERANCING PER: ASME Y14.5M - 2004		DESIGN FZ	DR FZ	DATE 1/APR/2015
UNLESS OTHERWISE SPECIFIED TOLERANCES: DECIMAL - ± 0.003 ANGULAR ± 2° ALL DIMS. ARE IN INCHES				
		TITLE: <b>WIRING DIAGRAM</b> MG-2P Δ		
PROPRIETARY AND CONFIDENTIAL THE INFORMATION CONTAINED IN THIS DRAWING IS THE SOLE PROPERTY OF GARLAND COMMERCIAL VEHICLES LTD. ANY REPRODUCTION IN WHOLE OR IN PART WITHOUT THE WRITTEN PERMISSION OF GARLAND COMMERCIAL VEHICLES LTD. IS STRICTLY PROHIBITED.		SIZE: <b>C</b> DWG. NO.: <b>4532854</b>	REV: <b>1</b>	SCALE: N/A SHEET 1 OF 2

2 PLATEN GAS - MG24 DELTA (4532854) - CONTINUATION

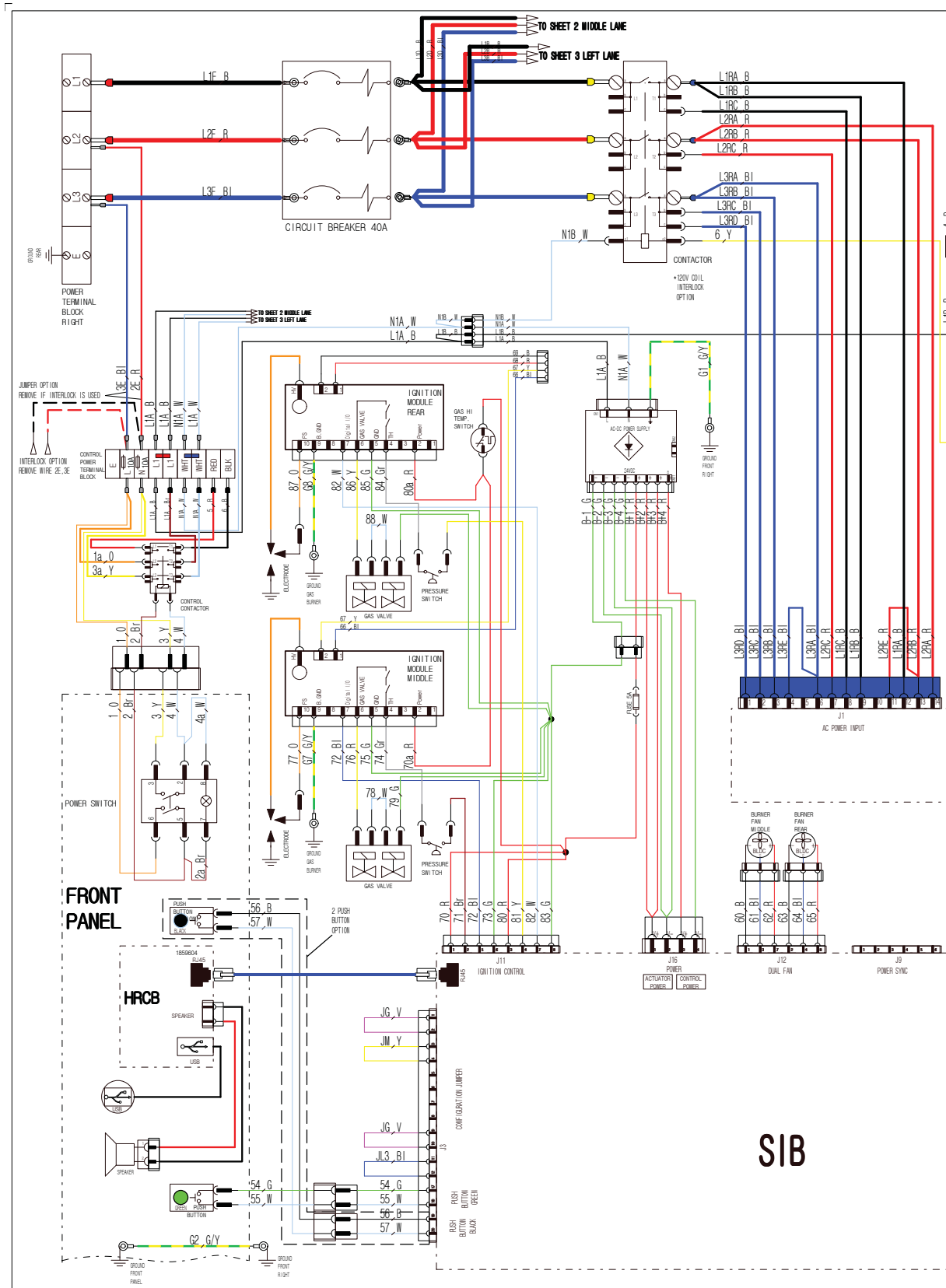




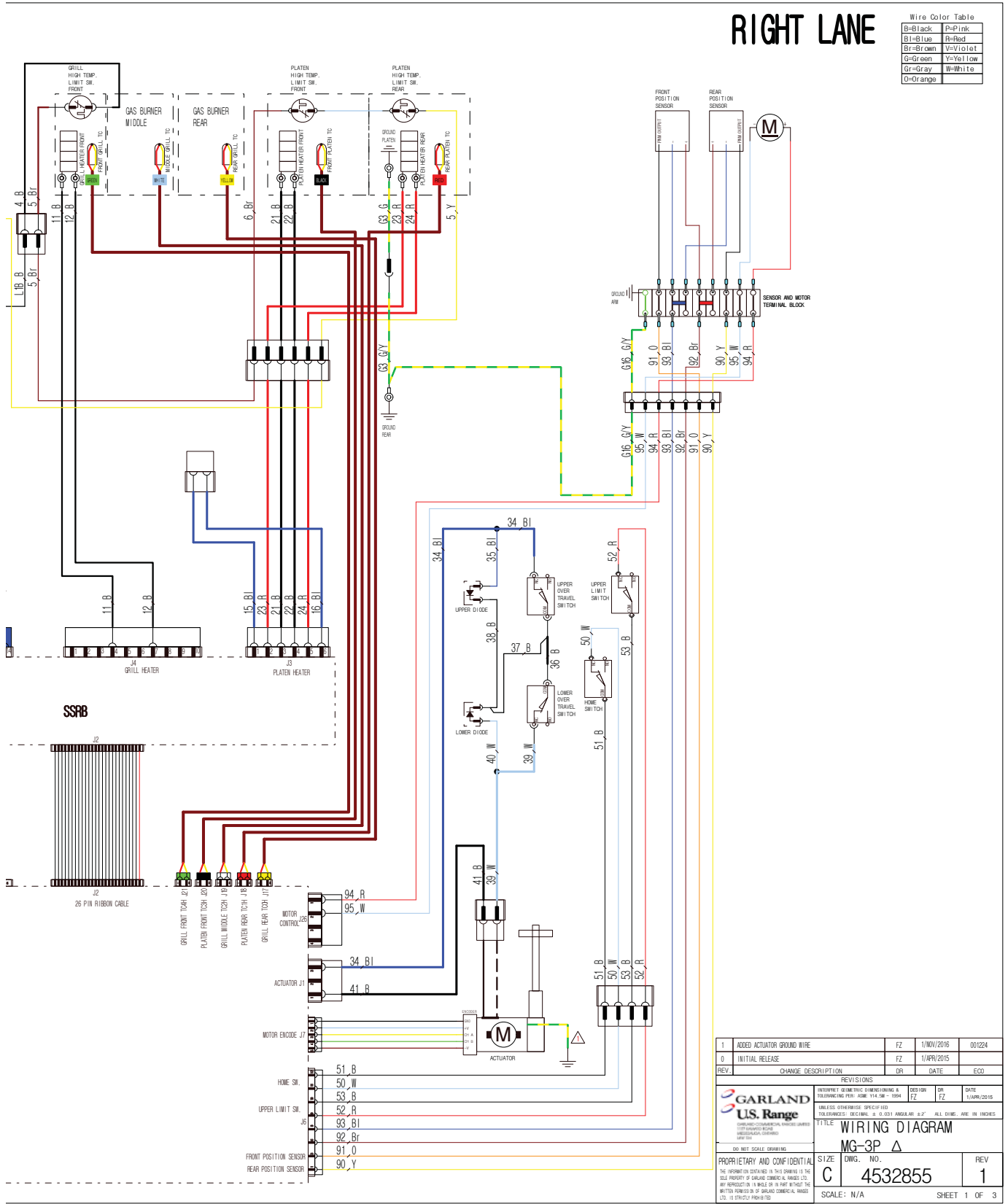
2 PLATEN GAS - MG24 DELTA (4532854) - CONTINUATION



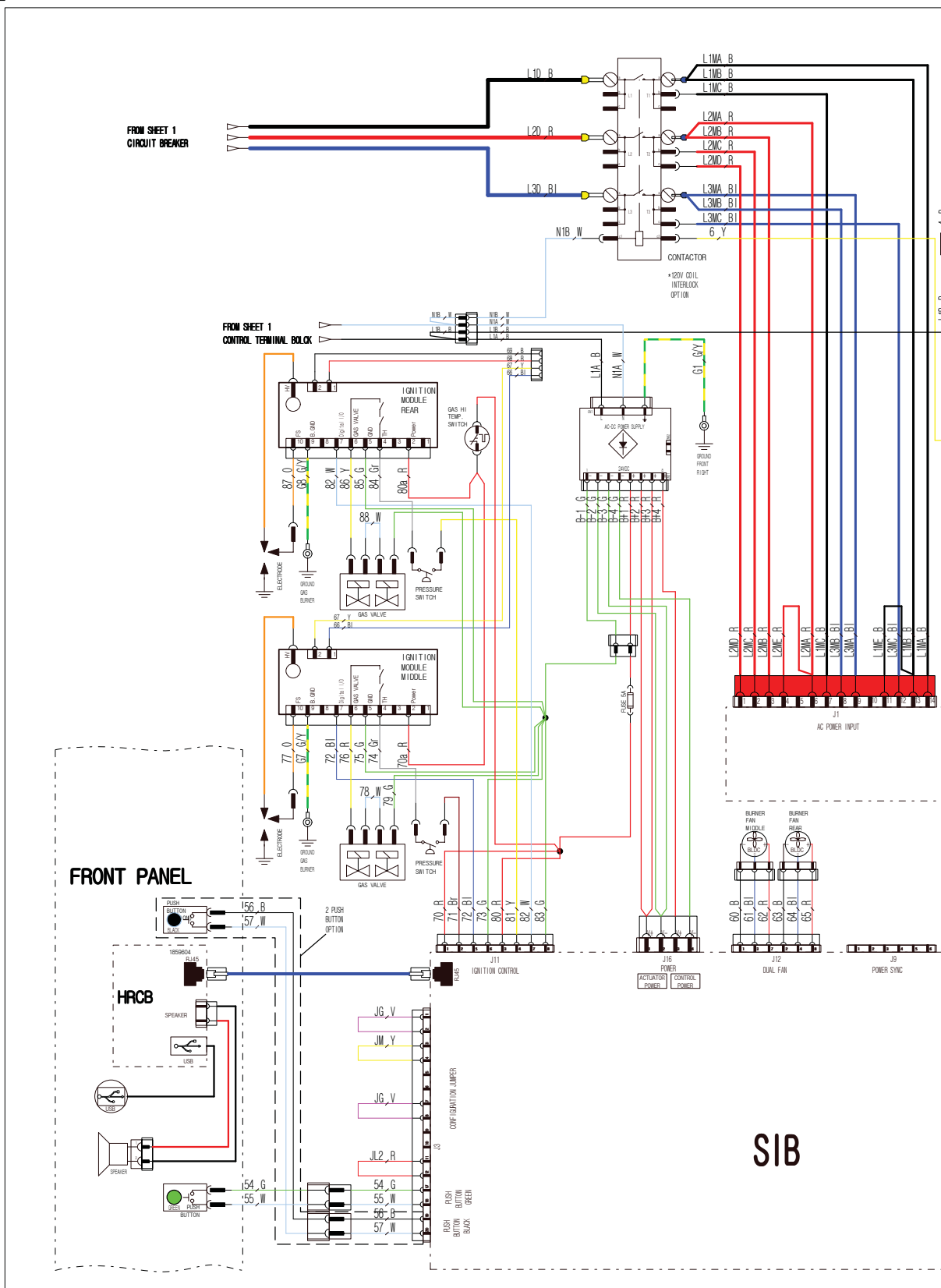
3 PLATEN GAS - MG36 DELTA (4532855)



3 PLATEN GAS - MG36 DELTA (4532855) - CONTINUATION



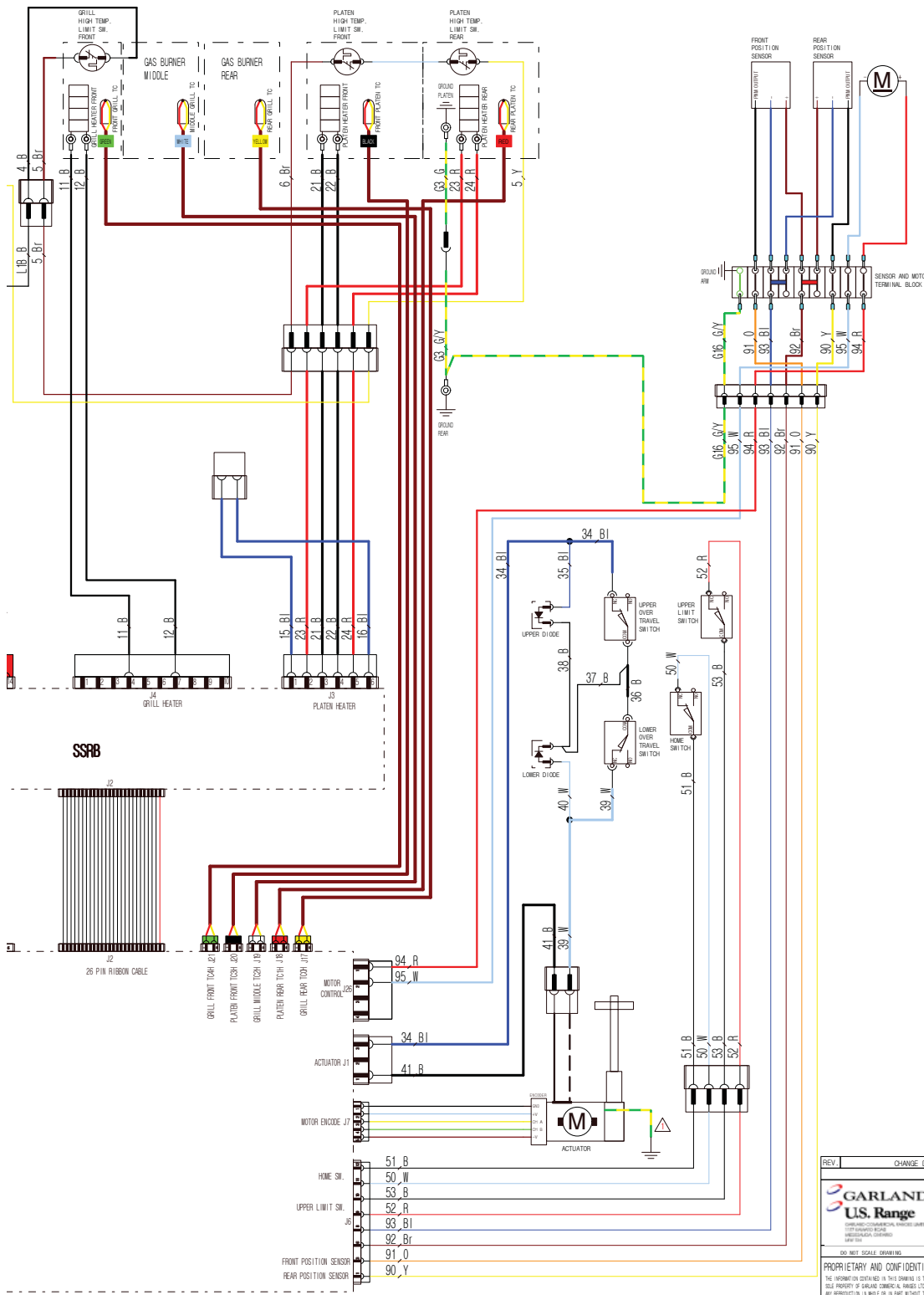
3 PLATEN GAS - MG36 DELTA (4532855) - CONTINUATION



3 PLATEN GAS - MG36 DELTA (4532855) - CONTINUATION

MIDDLE LANE

Wire Color Table	
B=Black	P=Pink
Bl=Blue	R=Red
Br=Brown	V=Violet
G=Green	Y=Yellow
Gr=Gray	W=White
O=Orange	

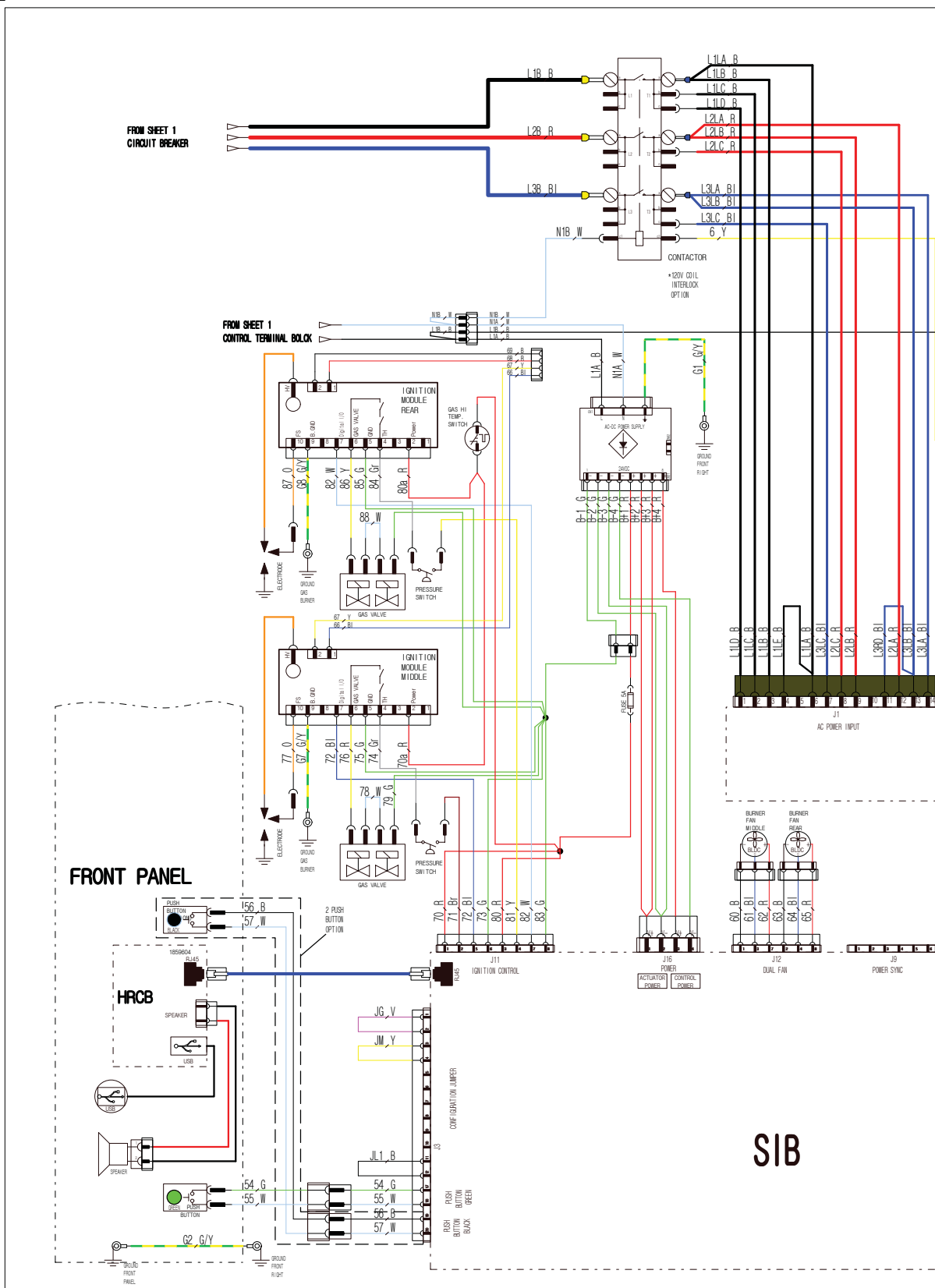


REV	CHANGE DESCRIPTION	DR	DATE	ECO
1	WIRING DIAGRAM	TZ	1/APR/2015	

		UNLESS OTHERWISE SPECIFIED, DIMENSIONS ARE IN INCHES. ALL DIMENSIONS ARE TO CENTER UNLESS OTHERWISE SPECIFIED.	
PROPRIETARY AND CONFIDENTIAL		SIZE <b>C</b>	NO. <b>4532855</b>
THE INFORMATION CONTAINED HEREIN IS THE PROPERTY OF GARLAND COMMERCIAL RANGES LTD. ANY REPRODUCTION IN WHOLE OR IN PART WITHOUT THE WRITTEN PERMISSION OF GARLAND COMMERCIAL RANGES LTD. IS STRICTLY PROHIBITED.		REV <b>1</b>	SCALE: N/A SHEET 2 OF 3

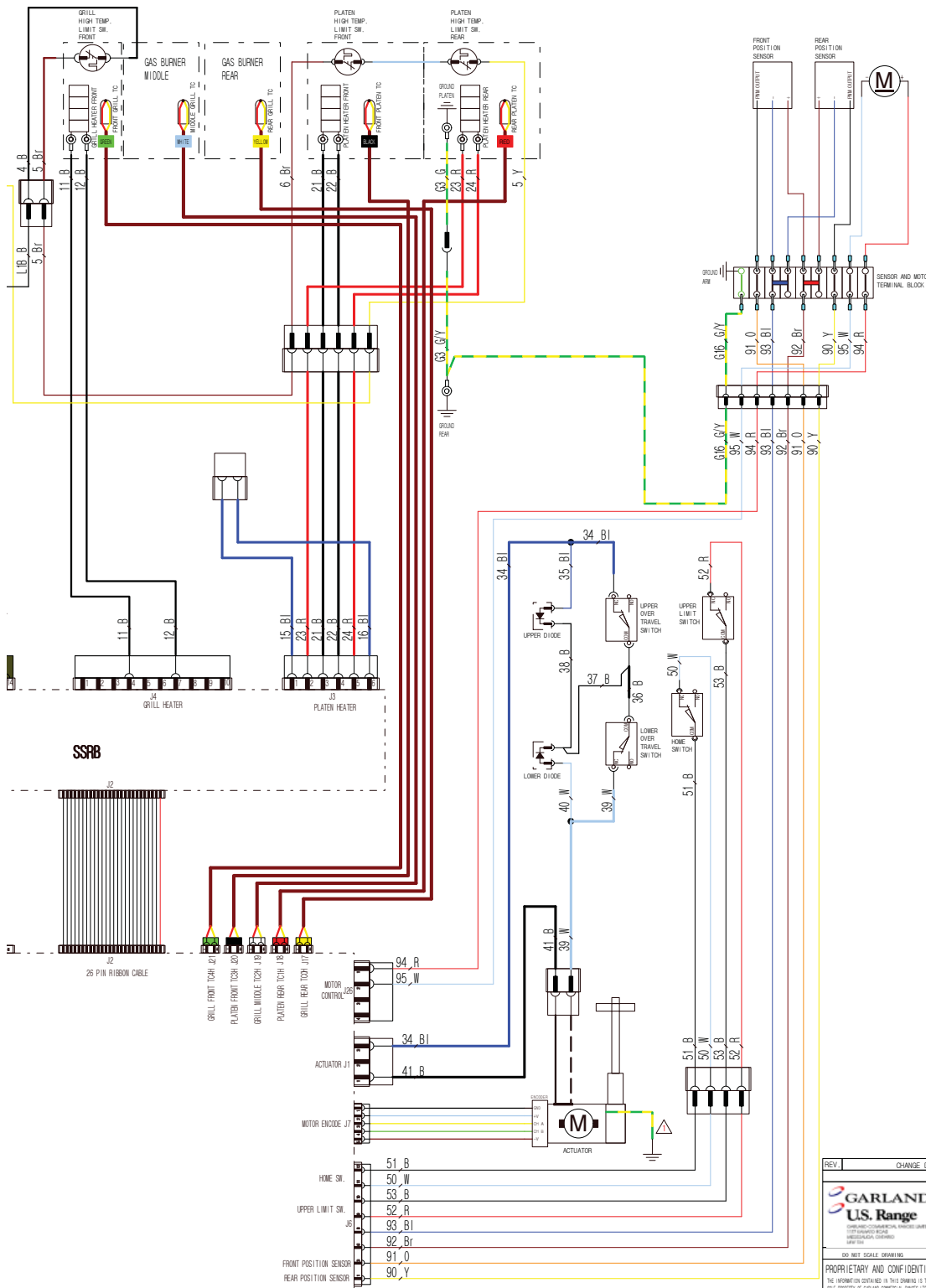
3 PLATEN GAS - MG36 DELTA (4532855) - CONTINUATION



3 PLATEN GAS - MG36 DELTA (4532855) - CONTINUATION

LEFT LANE

Wire Color Table	
B=Black	P=Pink
Bl=Blue	R=Red
Br=Brown	V=Violet
G=Green	Y=Yellow
Gr=Gray	W=White
O=Orange	

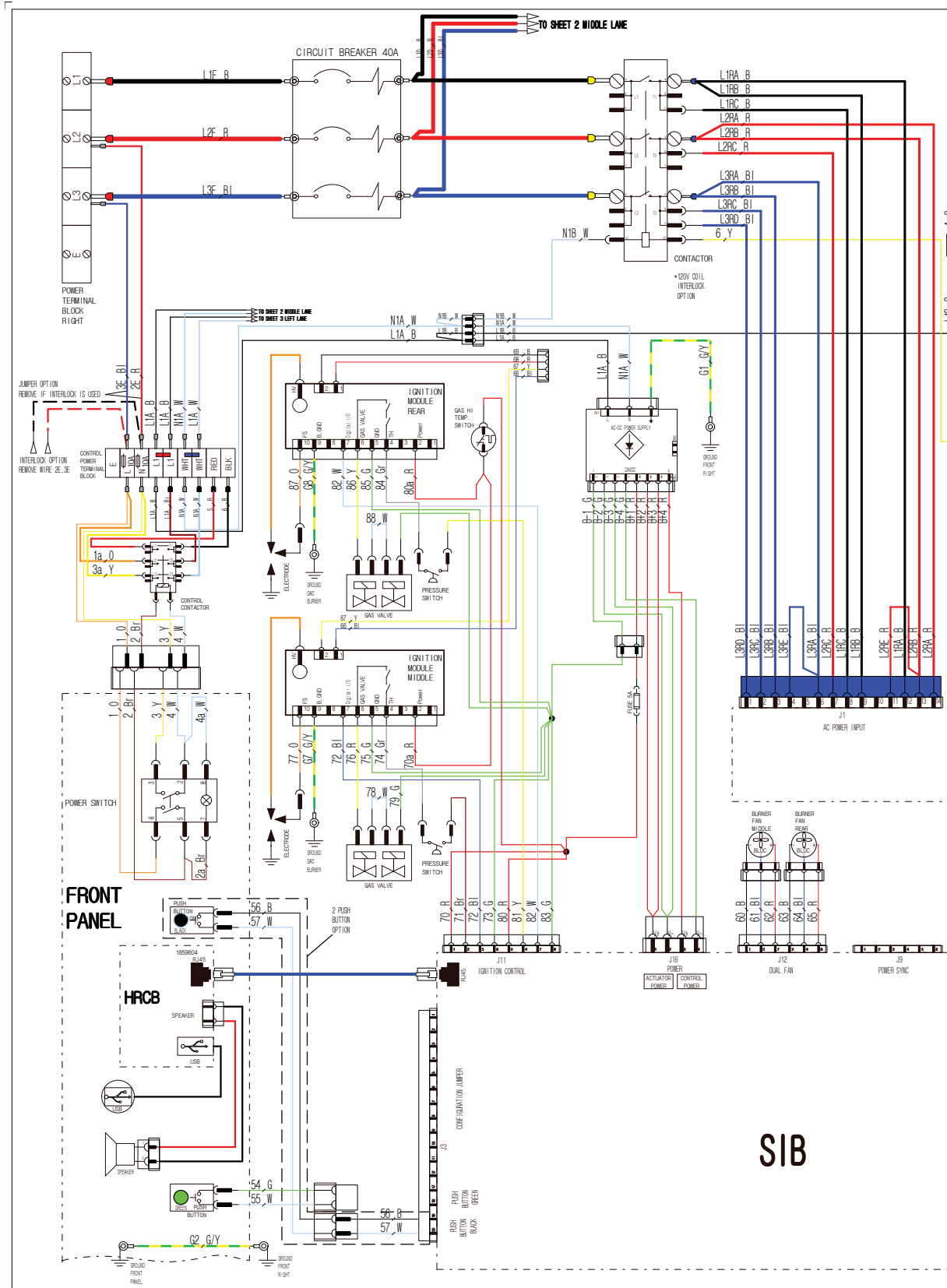


REV	CHANGE DESCRIPTION	DR	DATE	ECO
1	WIRING DIAGRAM	TZ	1/APR/2015	

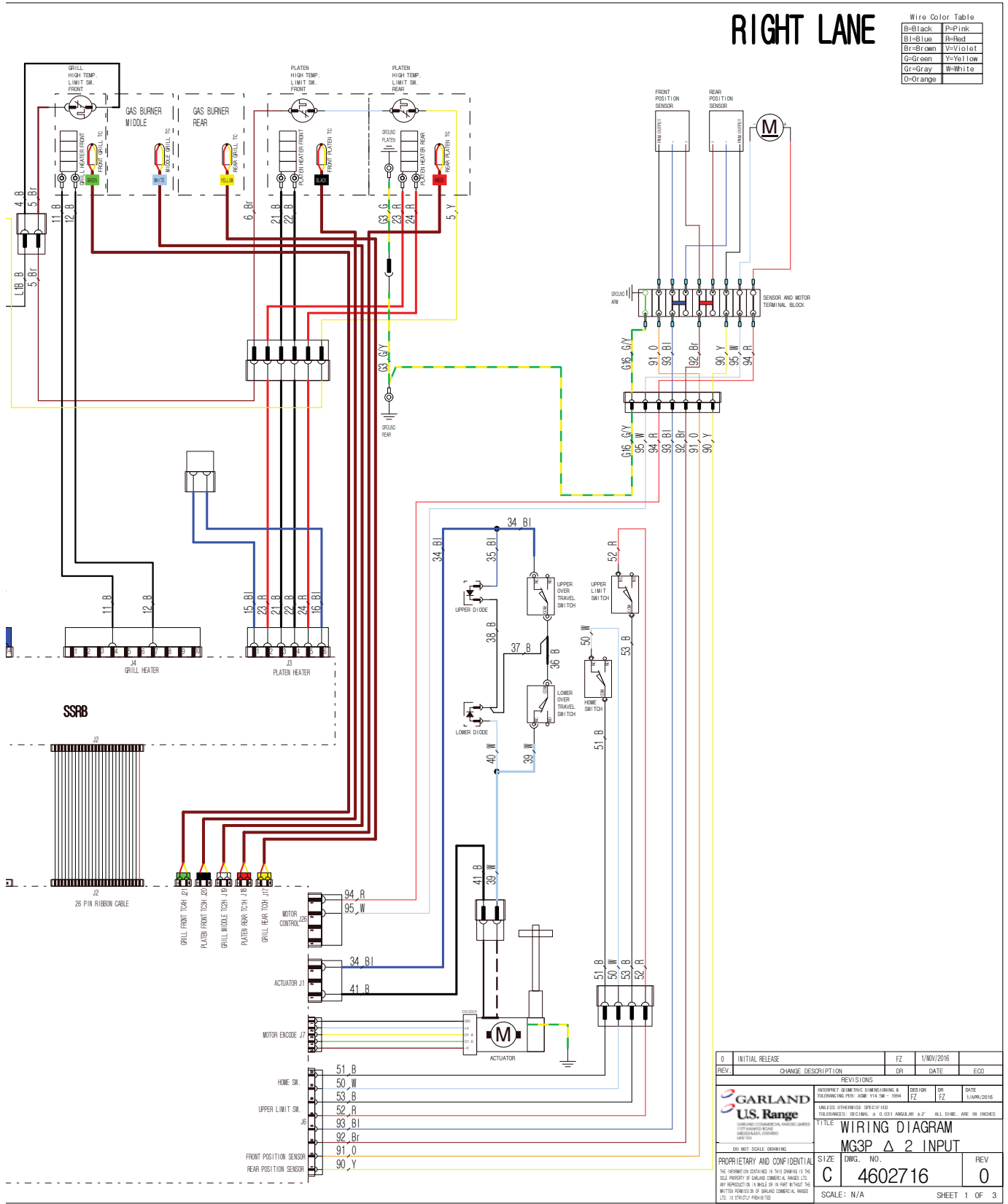
		UNLESS OTHERWISE SPECIFIED, DIMENSIONS ARE IN INCHES AND DECIMALS THEREOF. ALL DIMENSIONS ARE TO CENTER UNLESS OTHERWISE SPECIFIED.	
PROPRIETARY AND CONFIDENTIAL		SIZE C	DWS. NO. 4532855
THE INFORMATION CONTAINED HEREIN IS THE PROPERTY OF GARLAND COMMERCIAL RANGES LTD. ANY REPRODUCTION IN WHOLE OR IN PART WITHOUT THE WRITTEN PERMISSION OF GARLAND COMMERCIAL RANGES LTD. IS STRICTLY PROHIBITED.		SCALE: N/A	REV 1

3 PLATEN GAS - MG36 DELTA (4602716)



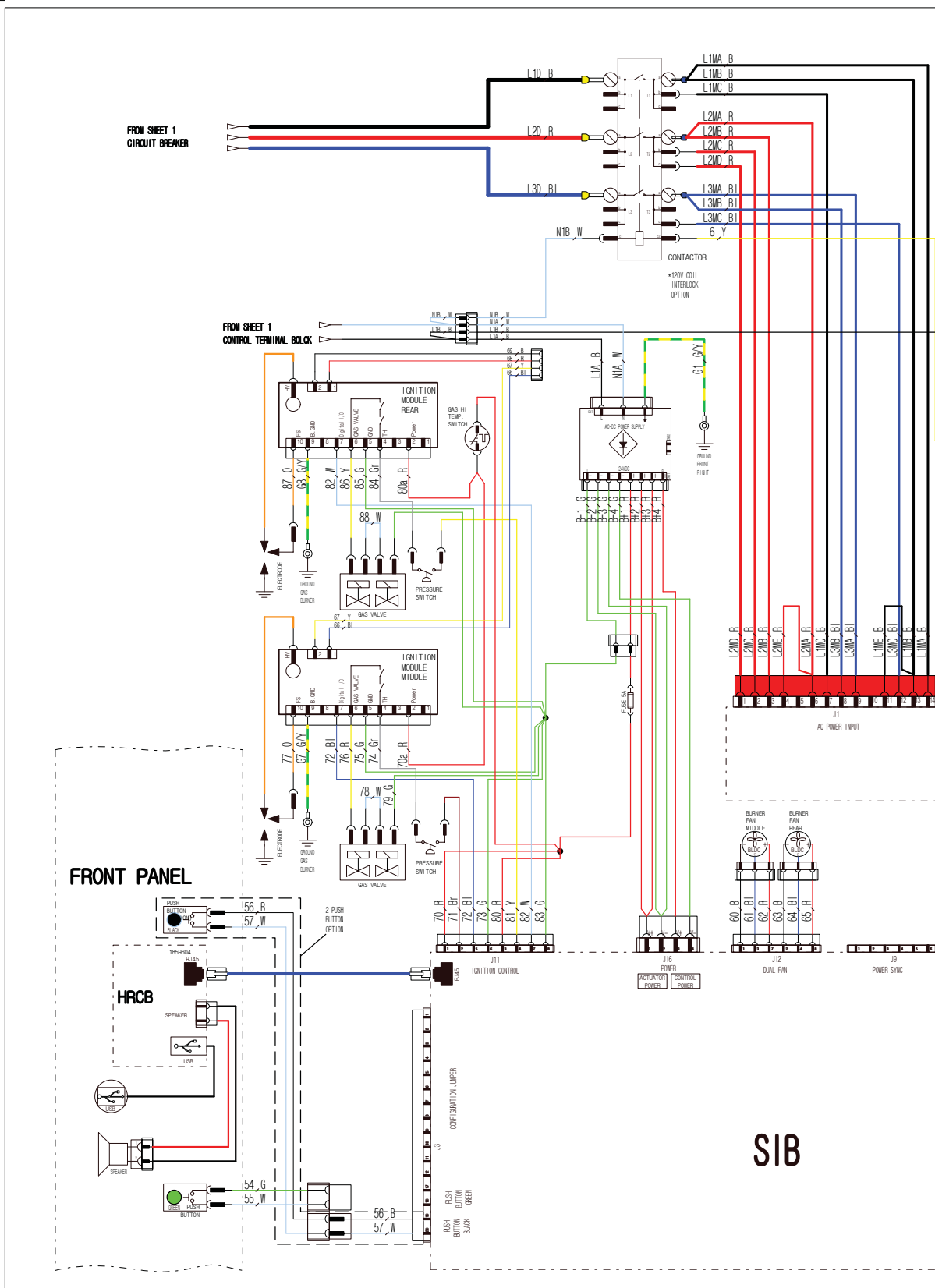


3 PLATEN GAS - MG36 DELTA (4602716) - CONTINUATION

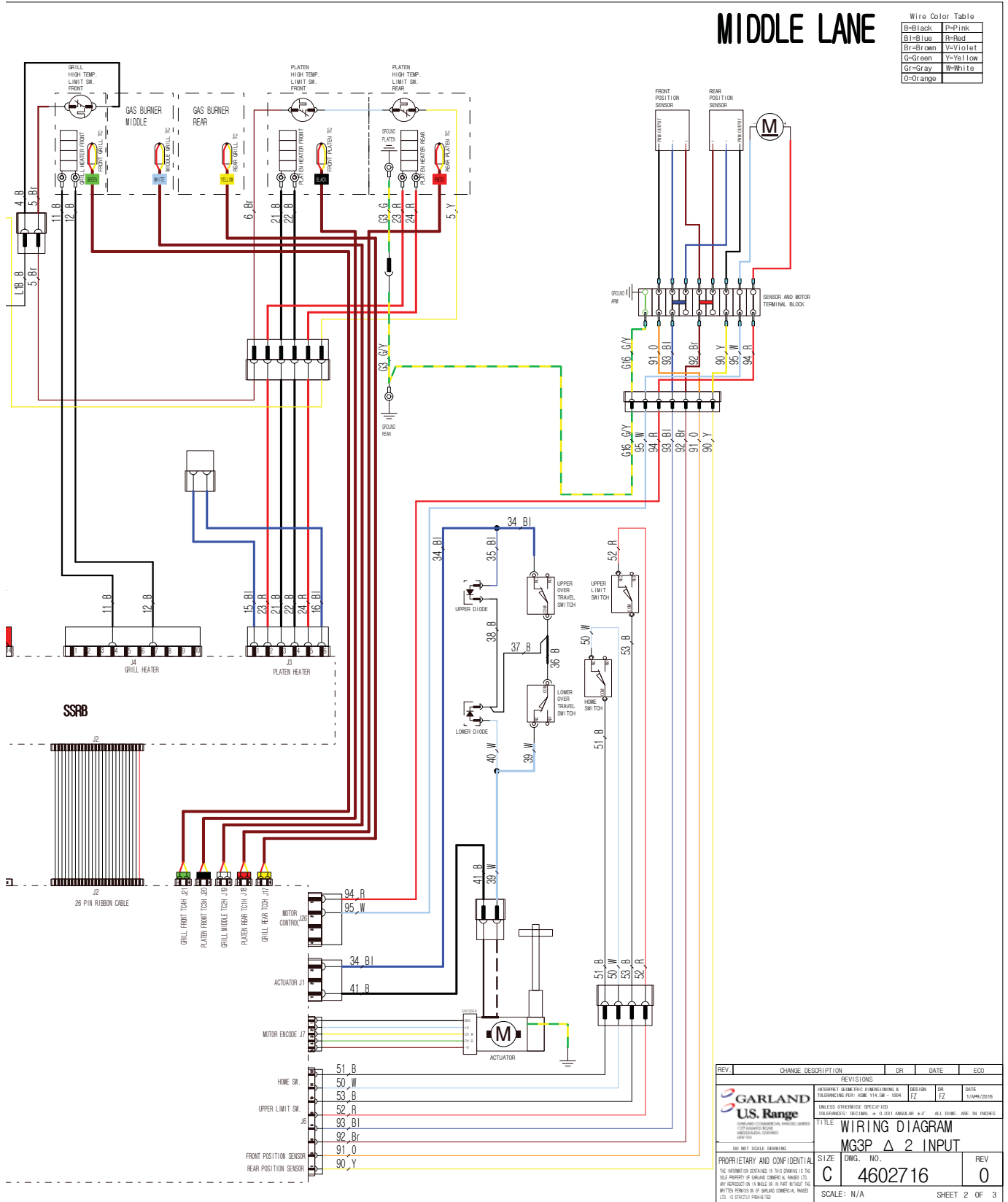


0	INITIAL RELEASE	FZ	1/NOV/2016	ECO
REV	CHANGE DESCRIPTION	DR	DATE	ECO
REVISIONS				
DESIGN	FZ	DR	FZ	DATE
1				1/APR/2015
<p><b>GARLAND U.S. Range</b></p> <p>UNLESS OTHERWISE SPECIFIED TOLERANCES: DECIMAL - ± 0.031 ANGULAR ± 2° ALL DIMS. ARE IN INCHES</p> <p>DO NOT SCALE DRAWING</p> <p>PROPRIETARY AND CONFIDENTIAL</p>				
TITLE		REV		
WIRING DIAGRAM		0		
MG3P Δ 2 INPUT				
SIZE	DWG. NO.	REV		
C	4602716	0		
SCALE: N/A		SHEET 1 OF 3		

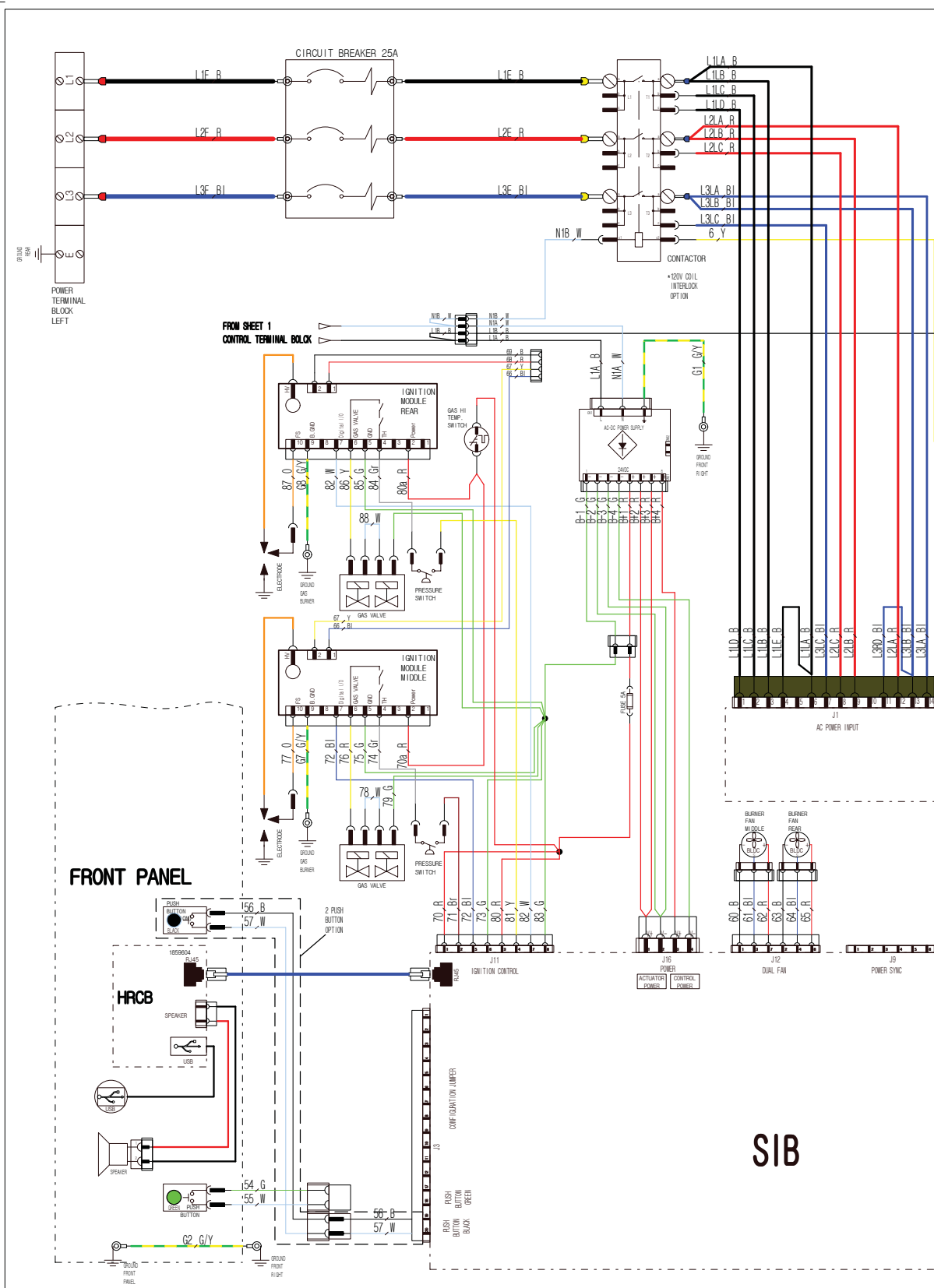
3 PLATEN GAS - MG36 DELTA (4602716) - CONTINUATION



3 PLATEN GAS - MG36 DELTA (4602716) - CONTINUATION



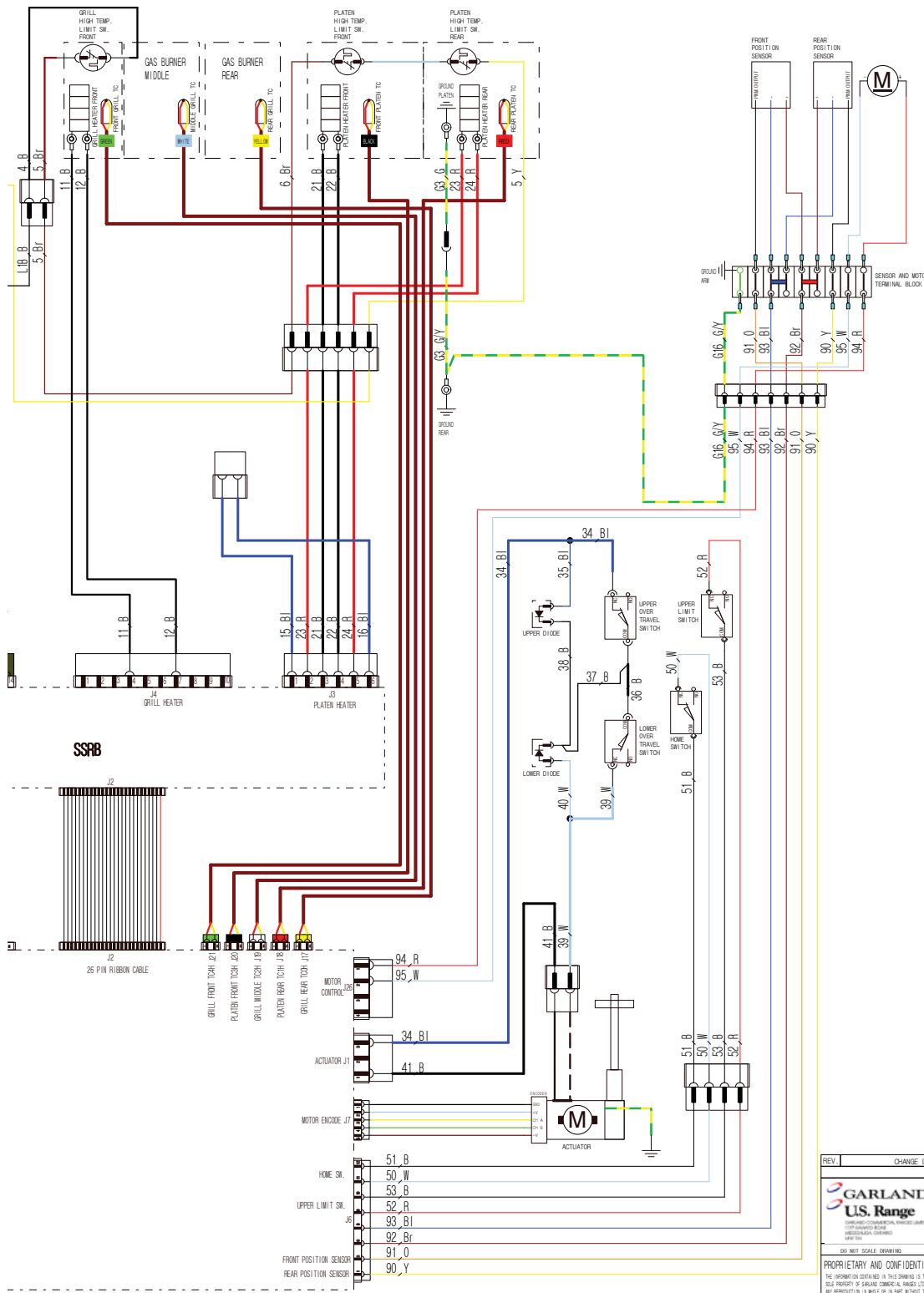
3 PLATEN GAS - MG36 DELTA (4602716) - CONTINUATION



3 PLATEN GAS - MG36 DELTA (4602716) - CONTINUATION

LEFT LANE

Wire Color Table	
B=Black	P=Pink
Bl=Blue	R=Red
Br=Brown	V=Violet
G=Green	Y=Yellow
Gr=Gray	W=White
O=Orange	



REV	CHANGE DESCRIPTION	REVISED BY	DATE	ECO
1	WIRING DIAGRAM			

		UNLESS OTHERWISE SPECIFIED, DIMENSIONS ARE IN INCHES. ALL DIMENSIONS ARE TO CENTER UNLESS OTHERWISE SPECIFIED.	
PROPRIETARY AND CONFIDENTIAL		SIZE: C	NO: 4602716
TITLE: WIRING DIAGRAM MG3P Δ 2 INPUT		DWS:	REV: 0
SCALE: N/A		SHEET 3 OF 3	

[WWW.WELBILT.COM](http://WWW.WELBILT.COM)

Welbilt provides the world's top chefs, and premier chain operators or growing independents with industry leading equipment and solutions. Our cutting-edge designs and lean manufacturing tactics are powered by deep knowledge, operator insights, and culinary expertise. All of our products are backed by KitchenCare® – our aftermarket, repair, and parts service.

▶ CLEVELAND      ▶ DELFIELD®      ▶ FRYMASTER®      ▶ KOLPAK®      ▶ MANITOWOC®      ▶ MERRYCHEF®  
▶ CONVOTHERM®      ▶ FITKITCHEN™      ▶ GARLAND      ▶ LINCOLN      ▶ MERCO®      ▶ MULTIPLEX®