

Master Series

Half-Size, Electric Convection Oven

Parts List

Models

MCOE5L



SAFETY NOTICES

WARNING:

IMPROPER INSTALLATION, ADJUSTMENT, ALTERATION, SERVICE OR MAINTENANCE CAN CAUSE PROPERTY DAMAGE, INJURY OR DEATH. READ THE INSTALLATION, OPERATING AND MAINTENANCE INSTRUCTIONS THOROUGHLY BEFORE INSTALLING OR SERVICING THIS EQUIPMENT.

NOTE:

OVEN WILL PRODUCE A QUANTITY OF SMOKE UPON INITIAL FIRE UP. THIS "BURN OFF" MAY LAST IN EXCESS OF 10-20 MINUTES.

PLEASE READ ALL SECTIONS OF THIS MANUAL AND RETAIN FOR FUTURE REFERENCE.

THIS EQUIPMENT **MUST** BE INSTALLED AND COMMISSIONED BY A PROFESSIONAL, FACTORY-TRAINED TECHNICIAN.

NOTE: This manual pertains to all oven models listed above. The reader/operator must interpret its contents to applicable needs. If you have questions about any instructional materials pertaining to Garland convection ovens, please contact our Customer Service Department at one of the phone numbers below.

WARRANTY

Applicable only to ovens with a serial number production date on or after January 1, 2013

This warranty covers defects in material and workmanship under normal use providing that:

- a. the equipment has not been accidentally or intentionally damaged, altered or misused.
- b. the equipment is properly installed, adjusted, operated and maintained in accordance with national and local codes and in accordance with the installation instructions provided with this product.
- c. the warranty serial number affixed to the appliance by us has not been defaced, obliterated or removed.
- d. an acceptable report for any claim under this warranty is supplied to us.

The equipment warranty coverage remains in force for two (2) years limited, (parts and labor), (USA & Canada Only)

The equipment warranty coverage of five (5) years limited, (Door Hinge), (USA & Canada Only).

The Garland Group agrees to repair or replace, at its option, any part that proves to be defective in material or workmanship at no charge for the part or normal labor.

We assume no responsibility for installation, adjustments, diagnosis, or normal maintenance such as: lubrication of springs or valves.

We assume no responsibility for travel costs beyond two (2) hours and 100 miles/150Kms round trip, travel other than overland, and overtime costs of repair.

We exclude broken glass, paint and porcelain finish, surface rust, gasket material, ceramic material, light bulbs and fuses from normal coverage.

We exclude damage or dysfunction caused by fire, flood, and like "Acts of God" that are beyond the control of The Garland Group.

We exclude failures caused by erratic voltage or gas supplies.

The Garland Group will only cover the cost of the parts replacement and/or service.

This warranty is limited and is in lieu of all other warranties, expressed or implied. The Garland Group, our employees, or our agents shall not be held liable for any claims of personal injury or consequential damage or loss.

This warranty gives you specific legal rights, and you may have other rights which vary from state to state.

TABLE OF CONTENTS

SAFETY NOTICES2

WARRANTY.....2

PARTS ID: OVEN EXTERIOR; ALL MODELS.....4

PARTS ID: OVEN EXTERIOR; ALL MODELS.....5

PARTS ID: SIDE PARTITION ASSY; ALL MODELS.....6

PARTS ID: CONTROL PANEL ASSY; ALL MODELS.....7

PARTS ID: ELEMENT ASSY; ALL MODELS.....7

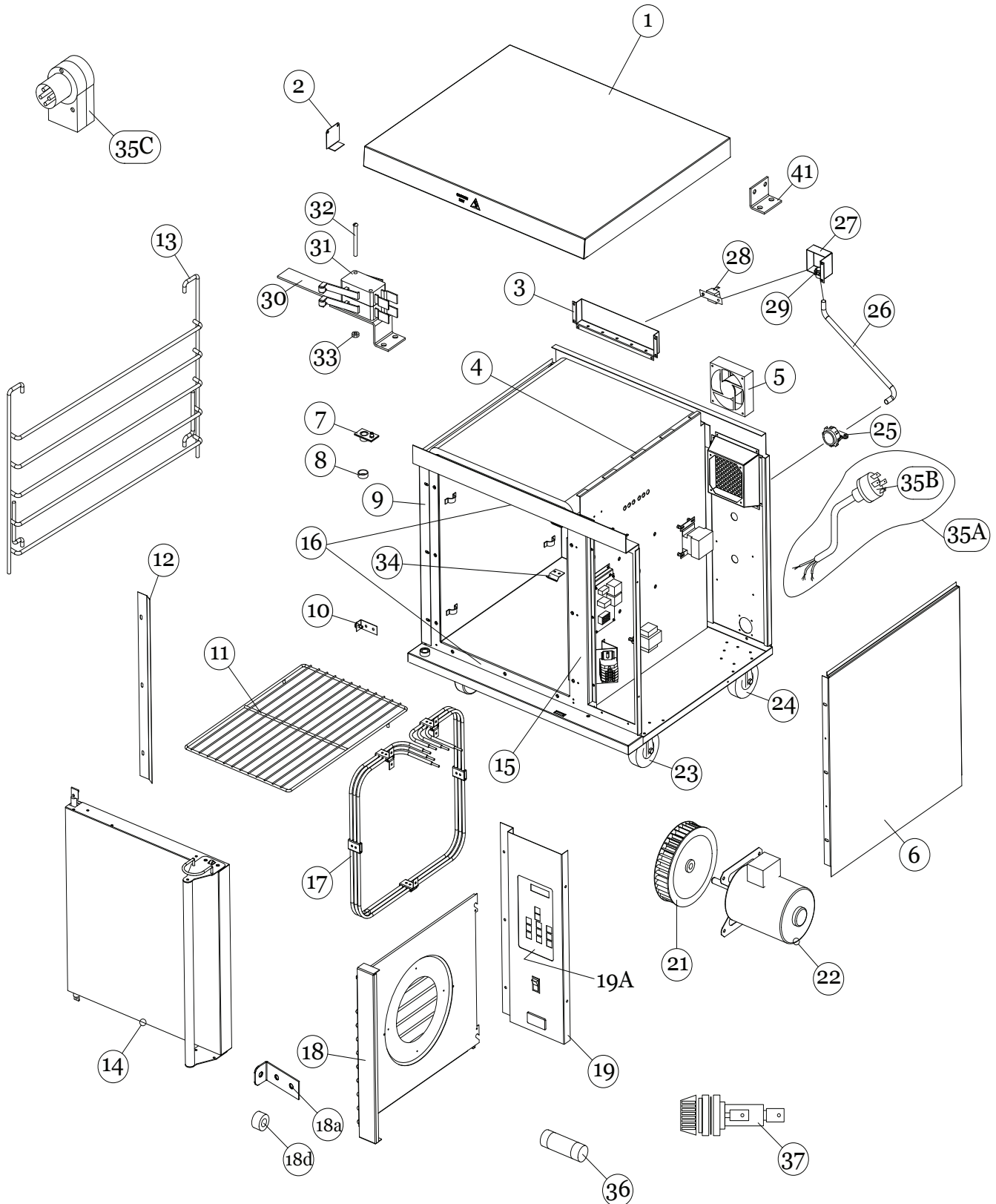
PARTS ID: DOOR ASSY; ALL MODELS8

INSTRUCTION, LABEL LOCATION.....8

PARTS ID: WIRING HARNESSSES ASSY9

PARTS ID: HEAT SHIELD KIT (ACCESSORY)9

PARTS ID: OVEN EXTERIOR; ALL MODELS



Card reader (CK1962299) is no longer available.
 From September 8, 2016, units are built without any card reader.

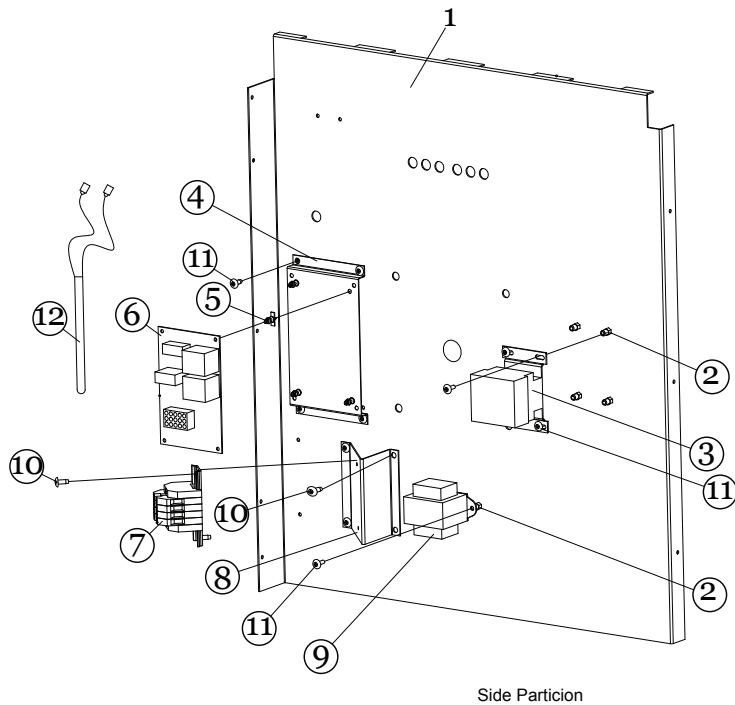
Oven Exterior

PARTS ID: OVEN EXTERIOR; ALL MODELS

Item	Part #	Description
1	1960901	Main Top MCOE5L
2	1960902	Cover, Micro Switch Access
3	1960502	Flue Box MCOE5
4	1961199	Partition Side Assembly
5	1671101	Fan - 110MM, 208/240 V
6	1951402	Body Side, CNTRL
7	CK1385497	Hinge Bracket Assembly
8	1011201	Steel Tubing Chrome Spacer
9	1951401	Body Side, Oven
10	1960709	Baffle MTG BRKT (see 10A, 10B, 10C for the fasteners)
10A	8006401	Spacer (not shown in illustration)
10B	8003140	Screw (not shown in illustration)
10C	F310	NUT-10-24 ACORN S/S 18-8 (not shown in illustration)
11	1766001	Oven Rack
12	1966503	Door Seal MCOE5
13	1766004	Rack Guide
14	CK1962199	Oven Door MCOE5
15	1966501	Door Seal RT Silicon
16	1966502	Door Seal Top / Bottom Silicon
17	CK1765199	Element Assembly - 208 Volts
	CK1765198	Element Assembly - 240 Volts
18	114373	Baffle Assembly, with Rack Number Plate
18a	1960709	BAFFLE MOUNTING BRACKET
18b*	8003140	SCREW
18c*	F310	NUT-10-24 ACORN S/S 18-8
18d	8006401	SPACER
19	CK1946673	Control Panel Assembly US/International (incl. Control 1966401-2) First unit built with 1966401-2, serial# 1706100103298 MCOE5LDSMD-0014
19A	4529449	Kit, Fast Control for 1966401 US Market (incl. Control 1966401-2 and instructions 4516833). First unit built with 1966401-2, serial# 1706100103298 MCOE5LDSMD-0014
	1966401-CD1	Control, McD Oven, with Canadian Menu, CANADA Only (FROM serial# = 1606100102845)
21	CK4519657	Blower Wheel Assembly Includes Wheel Puller, Spacers & Fasteners
22	1951502	Motor 208-240 1/3 HP 5/8 Shaft
23	1027801	Swivel Caster with wheel lock
24	1027800	Swivel Caster W/O lock
25	1028500	3/8 x 90 BX Connector
26	1052481700	Conduit 3/8, 17in Long
27	1960503	High Limit Cover
28	4520416	High Limit 135C Degree (275 F)
29	1028501	3/8 BX connector

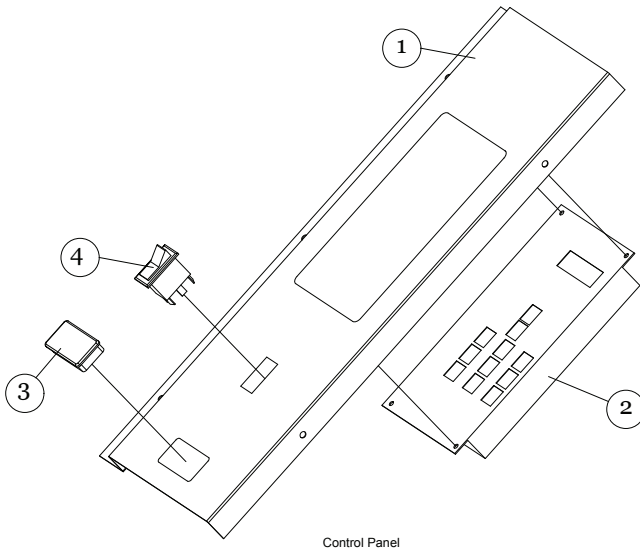
30	CK1962196	Micro Switch Bracket Assembly Complete
31	9006401	Switch-Mini Snap Hi-Temp 1 Amp.
32	8003221	4-40x1 PH Pan HD M/S ZC
33	8001505	4-40 Keps Nut ZC
34	1750501	Door Catch
35A	CK4529043	Plug and Cord, 208/240V -3Ph 30Amp, Pin and Sleeve
35B	1834503	Plug - Only - 30Amp
35C	1966411	Plug - Only (Hubbell) - 30Amp
36	4513157	Fuse (600V / 10A)
37	1774101	Fuse Holder
* not illustrated		

PARTS ID: SIDE PARTITION ASSY; ALL MODELS



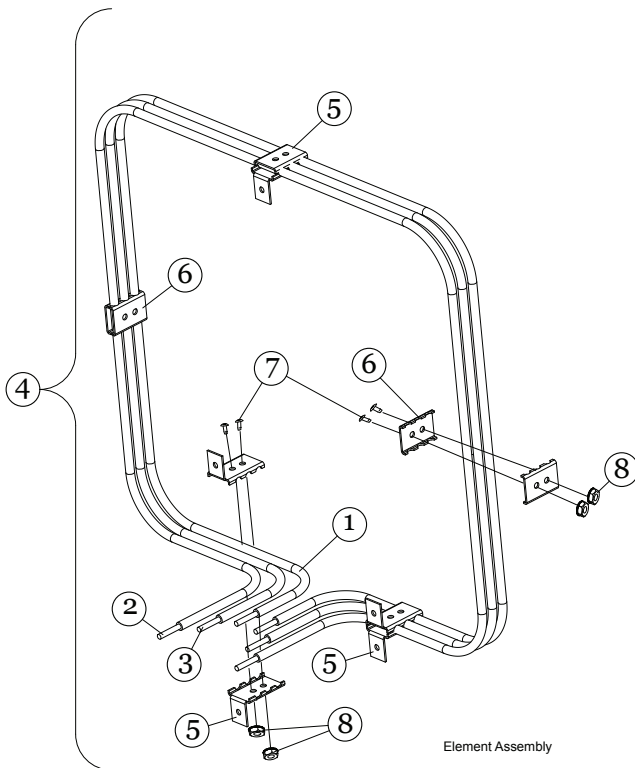
Item	Part #	Description
1	1961101	Partition Side MCOE5L
2	9000902	#10-24 Hexagonal TNS
3	1637002	Contactor 240V Coil
4	1962201	Relay Board Mounting Brkt
5	1767901	Nylon PCB Spacer
6	1966405	Relay Board
7	4516982	Terminal Block 4 Lug
8	1962208	Bracket, Terminal Block
9	4521630	Transformer, 120/240 V to 24V-40VA
	1917103	Transformer 230V CE (Export Only)
10	8002107	10x1/2 PH TRS HD
11	8003123	10-24x5/8 PH TRS HD
12	9006800	RTD Temperature Probe

PARTS ID: CONTROL PANEL ASSY; ALL MODELS



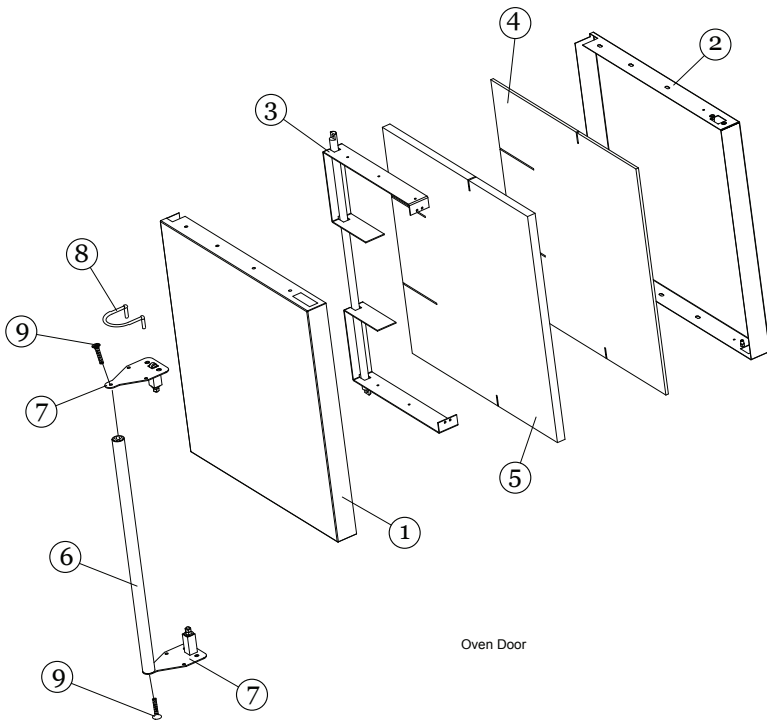
Item	Part #	Description
1	CK1946673	Control Panel Assembly (with Control 1966401-2)
2	1966401-2	Control, MCDS MCOE5 First unit built with 1966401-2, serial# 1706100103298 MCOE5LDSMD-0014
	1966401-CD1	Control, McD Oven, with Canadian Menu, CANADA Only (FROM serial# = 1606100102845)
3	1966410	Cover, Black
4	1872404	Power Switch

PARTS ID: ELEMENT ASSY; ALL MODELS



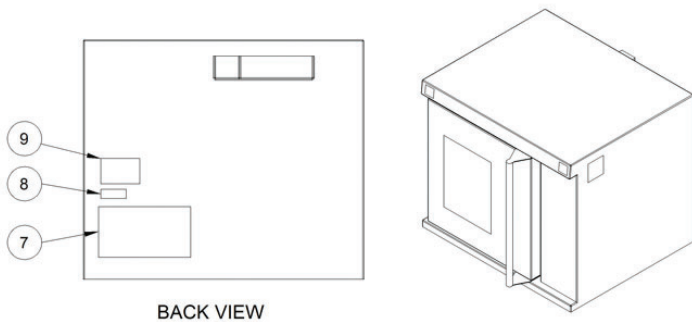
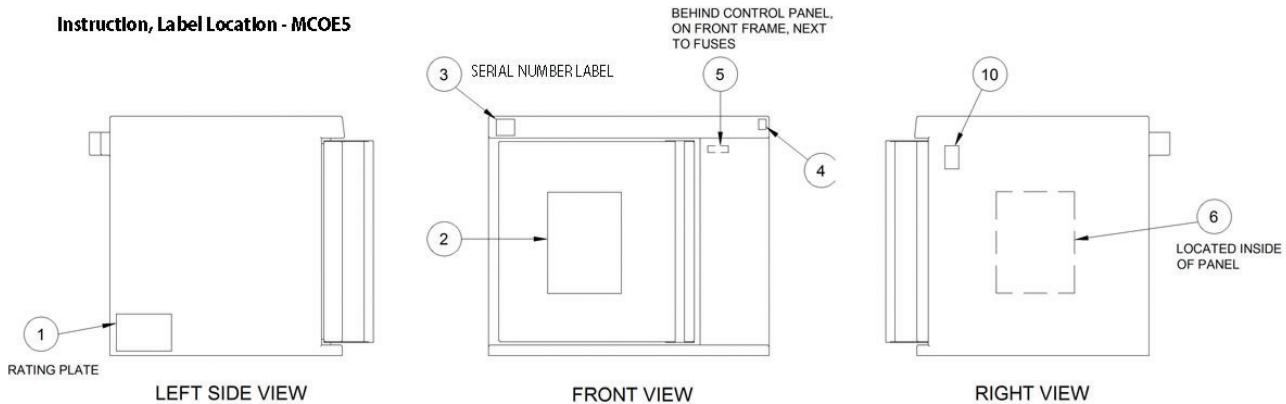
Item	Part #	Description
1	1765101	Element Inner 208V / 2500W
	1765109	Element Inner 240V / 2500W
2	1765102	Element Outer 208V / 2500W
	1765110	Element Outer 240V / 2500W
3	1765111	Element Center 208V / 2500W
	1765112	Element Center 240V / 2500W
4	CK1765199	Element Assembly - 208V
	CK1765198	Element Assembly - 240V
5	1765105	Element Holder W/Flange
6	1765106	Element Holder W/O Flange
7	8003107	10-24 x 3/4 screw
8	8001501	10 - 24 Keps Nut

PARTS ID: DOOR ASSY; ALL MODELS



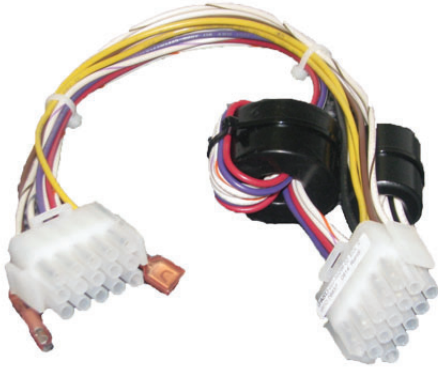
Item	Part #	Description
1	1962101	Door Panel Solid
2	1962197	Door Liner Solid
3	1962198	Door Frame
4	1961906	Insulation ATD T5000
5	1961907	Insulation Fiberglass
6	1952098	Handle Half Size Co
7	CK1952096	Handle End Latch
8	115356	T'Stat Guard
9	8003142	Screw 1/4 - 20x3/4

Instruction, Label Location - MCOE5

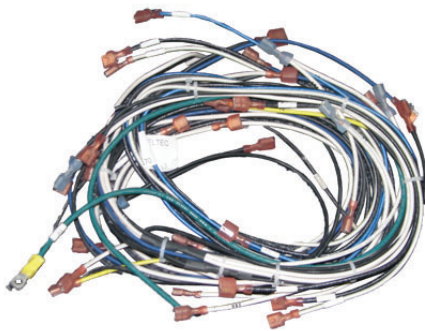


Item	Part #	Description
1	113062	Mylar, Serial Tag Cover 4"x6"
2	4519760	Instruction Magnet
3		Serial Number Label
4	1104408	NSF Label
5	1167700	Fuse Warning Label
6	1807863	WD-MCOE5 MCD Cntrl 8.5x11, Adhesive Back
7	113393	Label, Warning, Casters, Electric Only
8	1288000	Label Use Only Leg or Casters
9	1104200	Phase Information Sticker
10	250539	1.5"x2.5" Label, Sequential

PARTS ID: WIRING HARNESSES ASSY

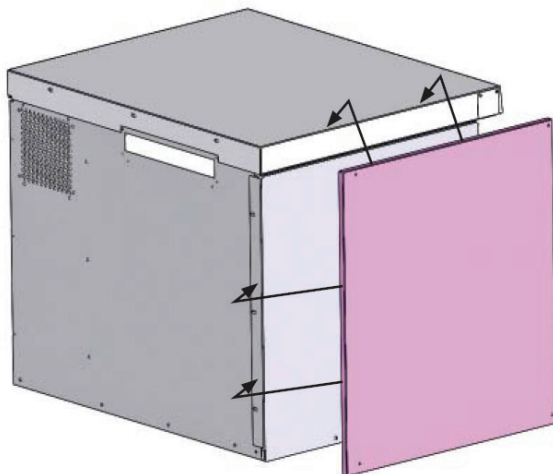


Part #	Description
1966406	Wire Harness; Relay Board to controller



Part #	Description
1966408	Wire Harness; Main Power

PARTS ID: HEAT SHIELD KIT (ACCESSORY)



PART #	DESCRIPTION
A4602982	ACCESSORY - HEAT SHIELD HALF SIZE CO

