



# 2-Platen Gas Clamshell Grill w/Product Recognition



2-Platen Gas Clamshell Grill w/Product Recognition

Model: MWG2W,CE



### Product Features:

- Product Recognition technology that automatically senses the food product placed on the grill yields faster, flexible operation and reduces waste.
- Proven two-platen design with auto-calibration of each platen for gapping precision, consistent product quality and expanded self diagnostics.
- LonWorks® technology to network the grill into the “kitchen of the future,” reducing energy consumption and increasing operational efficiency.
- No access of upper platen required for adjustments and simple motorized movement of upper platen minimizes components.
- Dual temperature sensors per gas heat zone provides for maximum temperature control.
- Two year parts and labor warranty.

The Garland Clamshell grill, manufactured exclusively for McDonald's, provides a method for efficient two-sided cooking, while accommodating a variety of products. This grill meets all of McDonald's standards for safety, efficiency, and cleanliness.



The specifications on this sheet are for the exclusive use of licensees of the McDonald's Corporation.

**Manufactured Exclusively for McDonald's by:**  
**Garland Commercial Ranges Ltd.**  
**1177 Kamato Road, Mississauga ON L4W 1X4**  
**Phone: (905) 624-0260 • Fax: (905) 624-1851 • Toll Free: (800) 427-6668**

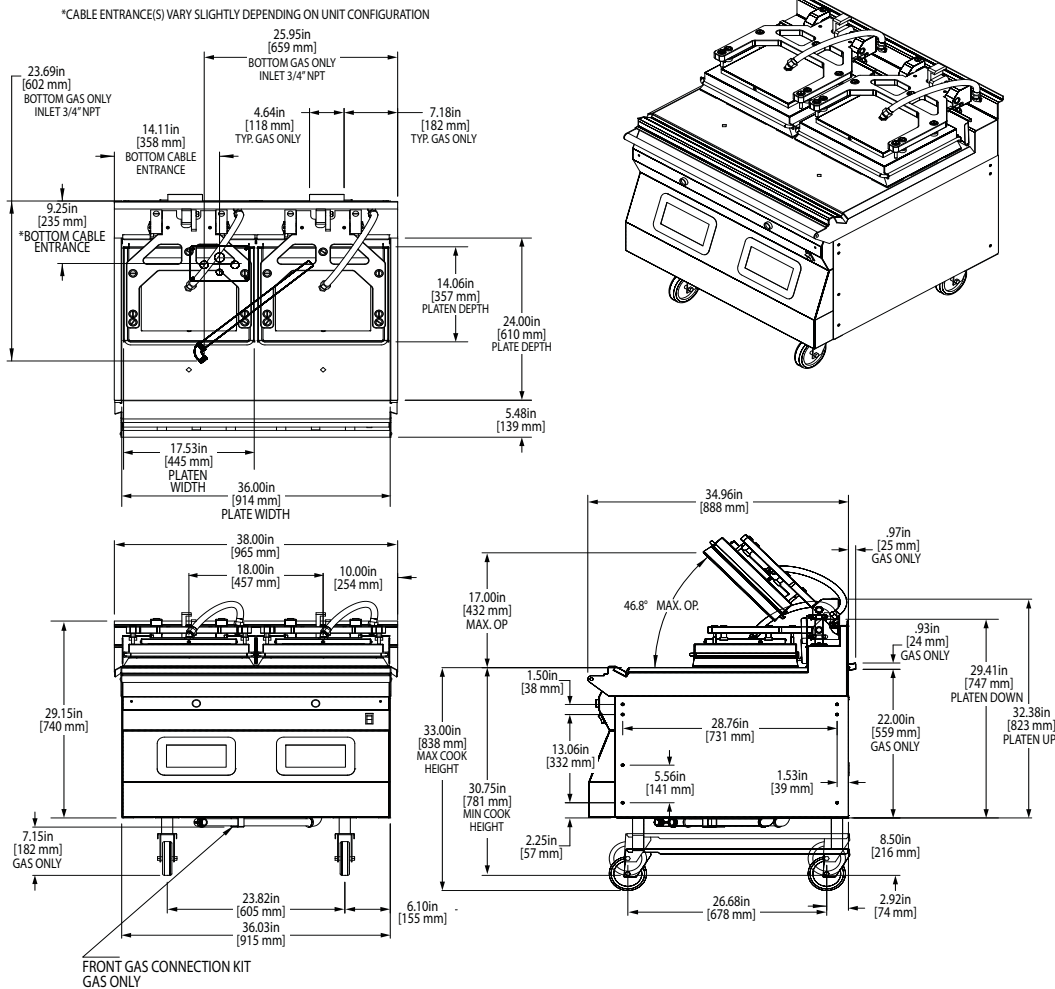




# 2-Platen Gas Clamshell Grill w/Product Recognition



2-Platen Gas Clamshell Grill w/Product Recognition



Electrical Requirements: 3N~ 50Hz (3 Phase + N , 4-wire)													
	TOTAL kW LOAD	LOADING: (kW/PHASE)			NOMINAL AMPS PER LINE								
		380V / 400V / 415V			380V			400V			415V		
		L1/N	L2/N	L3/N	L1	L2	L3	L1	L2	L3	L1	L2	L3
INPUT 1	9.8	3.3	3.3	3.3	14.9	14.9	14.9	14.2	14.2	14.2	13.6	13.6	13.6

GAS INPUT					
GAS GROUP	MAX INPUT (NET) PER BURNER (kW)	TOTAL INPUT RATING (kW)	SUPPLY PRESSURE (mbar)	BURNER PRESSURE (mbar)	VOLUMETRIC GAS RATE
G20 NG	8.6	17.2	20/25	8.7	1.82m <sup>3</sup> /h
G31 LPG	8.6	17.2	37/50	24.9	1.34kg/h

GAS CATEGORIES		
CATEGORY	DESTINATION COUNTRIES	SUPPLY PRESSURE (mbar)
I <sub>2H</sub>	AT, CH, CZ, DK, ES, FI, GB, IE, IS, IT, NO, PT, SE	20
I <sub>2E</sub>	DE, LU	20
I <sub>3P</sub>	NL	30
I <sub>3P</sub>	BE, CH, CZ, ES, FR, GB, GR, IE, LU	37
I <sub>3P</sub>	BE, CH, DE, CZ, ES, FR, NL	50

The specifications on this sheet are for the exclusive use of licensees of the McDonald's Corporation.

**Manufactured Exclusively for McDonald's by:**  
**Garland Commercial Ranges Ltd.**  
**1177 Kamato Road, Mississauga ON L4W 1X4**  
**Phone: (905) 624-0260 • Fax: (905) 624-1851 • Toll Free: (800) 427-6668**



Form# MWG2W,CE (23 June 11)